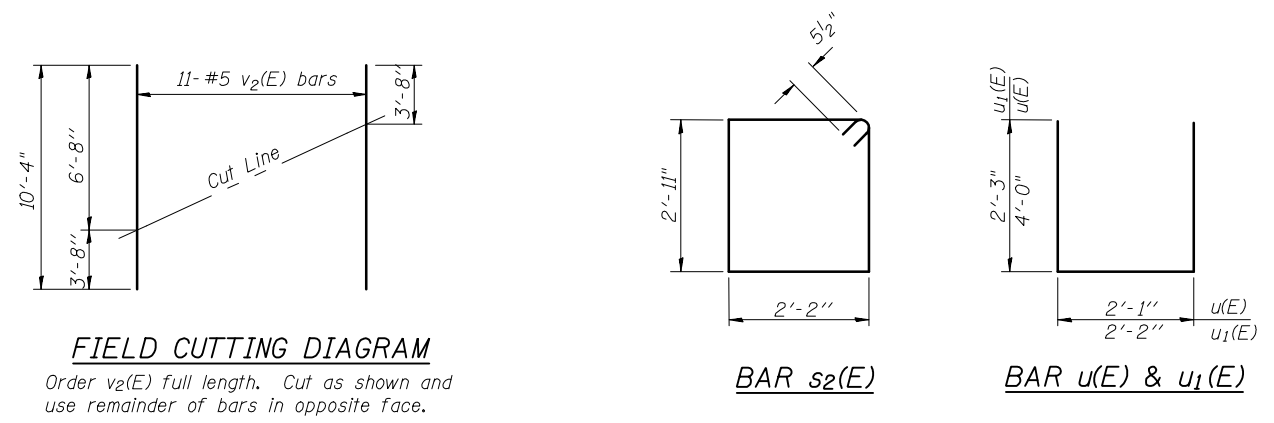


BILL OF MATERIAL

Bar No.	Size	Length	Shape
$h(E)$	36 #6	12'-0"	—
$p(E)$	16 #7	43'-3"	—
$p_1(E)$	4 #7	37'-2"	—
$p_2(E)$	4 #7	18'-5"	—
$s_2(E)$	84 #5	11'-1"	□
$u(E)$	8 #6	10'-1"	—
$u_1(E)$	72 #5	6'-8"	—
$v_1(E)$	172 #5	4'-4"	—
$v_2(E)$	44 #5	10'-4"	—
Structure Excavation	Cu. Yd.	172	
Concrete Structures	Cu. Yd.	35.3	
Reinforcement Bars, Epoxy Coated	Pound	5410	
Furnishing Metal Shell Piles 14"x.250"	Foot	598	
Driving Piles	Foot	598	
Test Pile Metal Shells	Each	1	
Pile Shoes	Each	13	

For details of Bar Splicers, see sheet 18 of 27.
For details of piles see sheet 19 of 27.



PILE DATA

Type: Metal Shell Piles, 14" x 0.250" with pile shoes
Nominal Required Bearing: 330 Kips
Factored Resistance Available: 180 Kips
Est. Length: 46 Ft
No. Production Piles: 13
No. Test Piles: 1