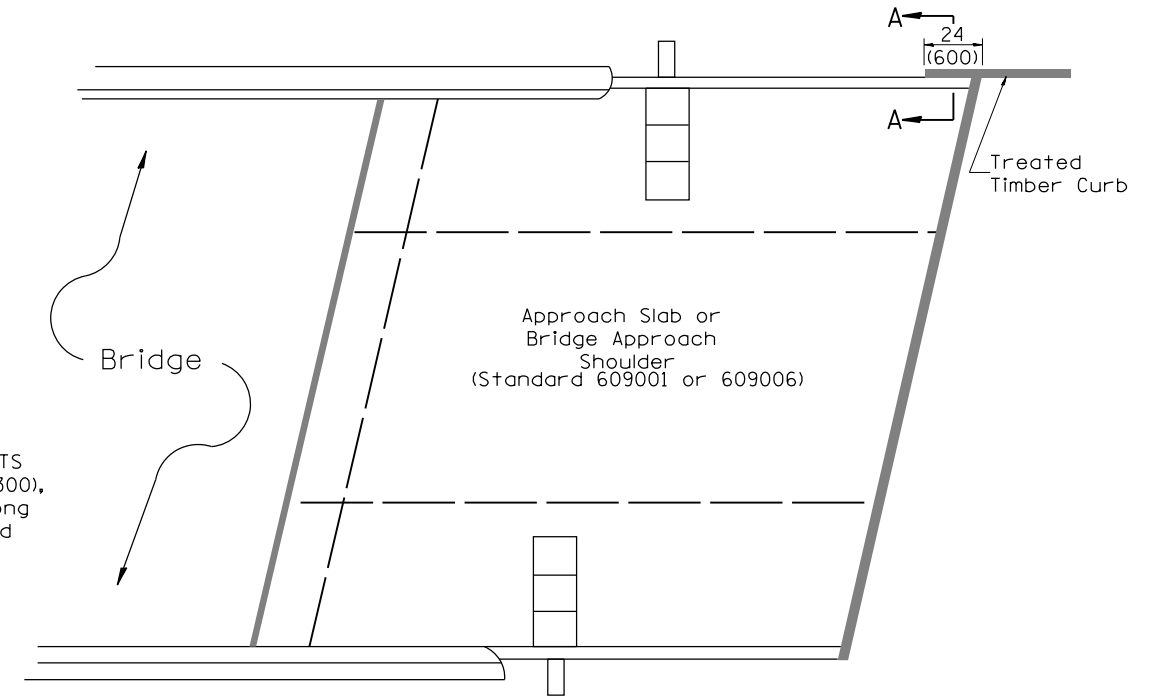
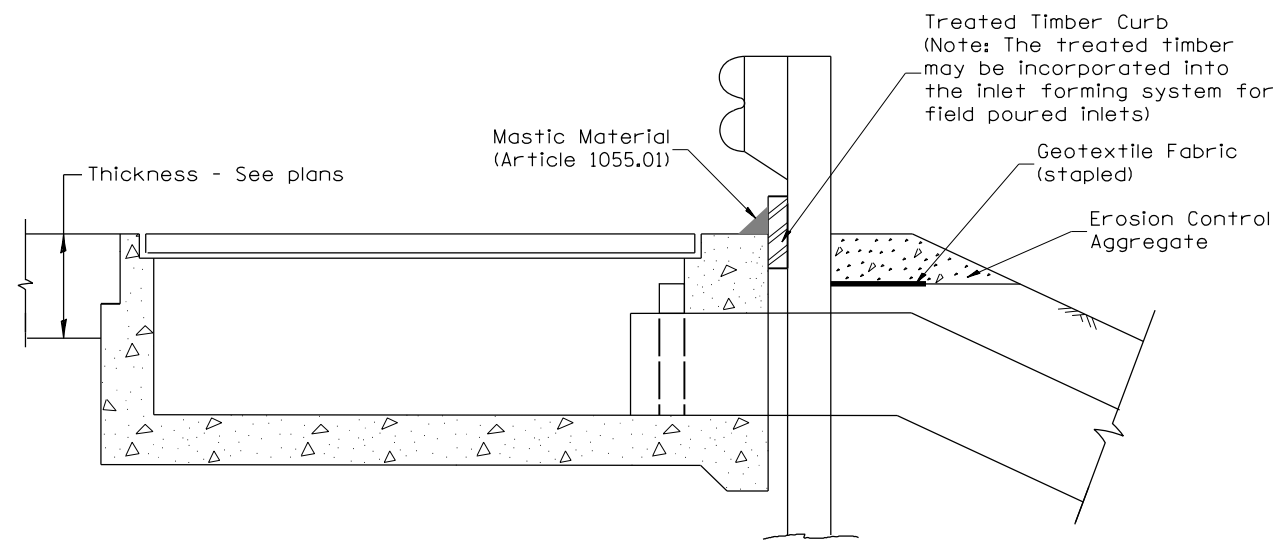


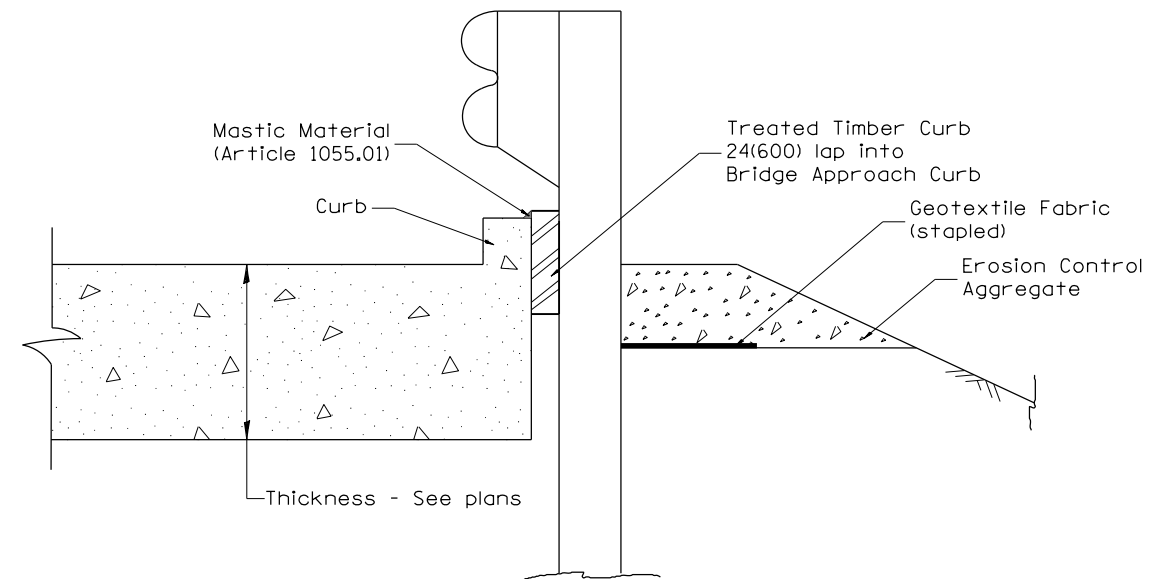
DETAIL A
(Typical Treated Timber Splices)



PLAN VIEW
APPROACH SLAB OR BRIDGE APPROACH SHOULDER
(STANDARD 609001 or 609006)



TYPICAL SECTION WITH EROSION CONTROL CURB
AT INLETS TYPE E & F (STANDARD 610001)



SECTION A-A
TYPICAL SECTION WITH EROSION CONTROL CURB
AT BRIDGE APPROACH CURB
(STANDARD 609001 OR 609006)

All dimensions are in inches (millimeters) unless otherwise noted.

				STATE OF ILLINOIS DEPARTMENT OF TRANSPORTATION		GUARDRAIL EROSION CONTROL TREATMENTS		SHT. 2 OF 2 CADD STD. 630101-D4		<table border="1"> <tr> <th>F.A.P. RTE.</th> <th>SECTION</th> <th>COUNTY</th> <th>TOTAL SHEETS</th> <th>SHEET NO.</th> </tr> <tr> <td>64</td> <td>(1018)BR</td> <td>PEORIA</td> <td>77</td> <td>61</td> </tr> </table>		F.A.P. RTE.	SECTION	COUNTY	TOTAL SHEETS	SHEET NO.	64	(1018)BR	PEORIA	77	61
F.A.P. RTE.	SECTION	COUNTY	TOTAL SHEETS	SHEET NO.																	
64	(1018)BR	PEORIA	77	61																	
						NOT TO SCALE				<table border="1"> <tr> <td colspan="2">FED. ROAD DIST. NO.</td> <td colspan="2">ILLINOIS FED. AID PROJECT</td> </tr> </table>		FED. ROAD DIST. NO.		ILLINOIS FED. AID PROJECT							
FED. ROAD DIST. NO.		ILLINOIS FED. AID PROJECT																			