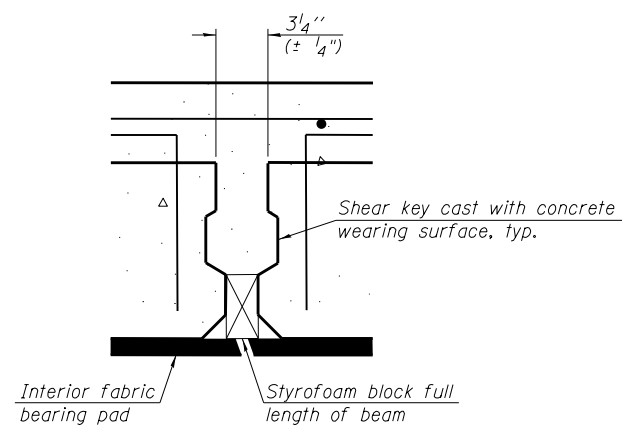
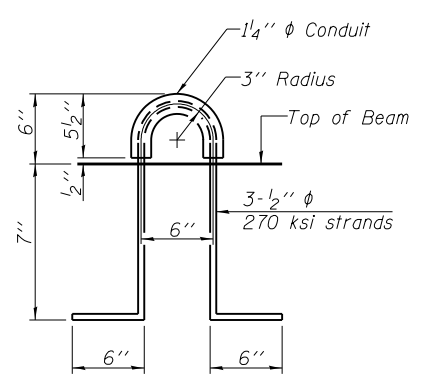


FABRIC BEARING PAD

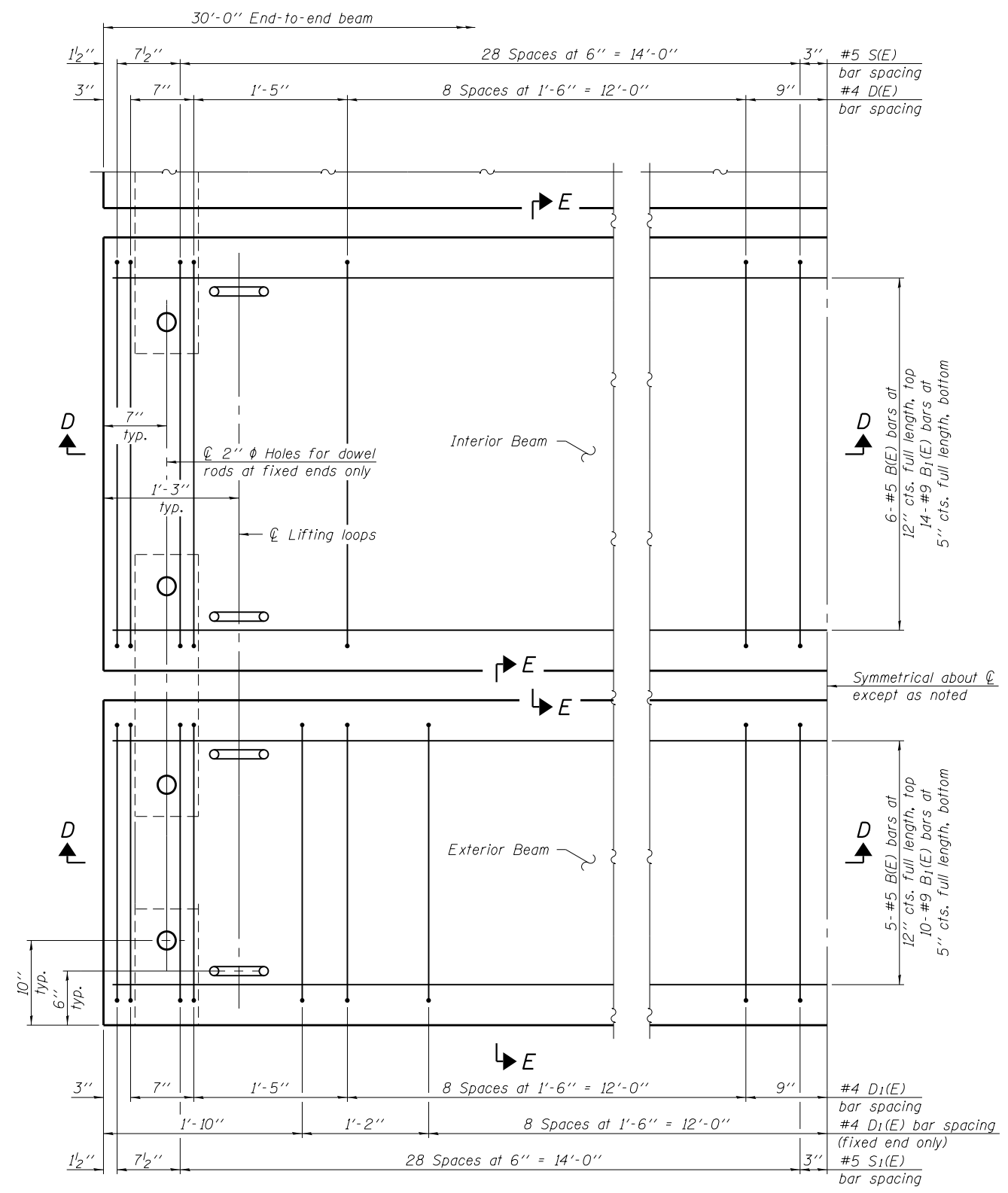
Notes:
 All bearing pads shall be 1/2" thick.
 Omit holes for fabric bearing pads at approach slab footing end of beams.
 Expansion bearing pad shall be bonded to the approach slab footing.



SECTION THRU SHEAR KEY JOINT



LIFTING LOOP DETAIL



PLAN

(Sheet 3 of 4)

| | | | | | | | | | | |
|--|--|---|--|--|---|-------------------|-----------------------|---------------|---------------------------|--------------|
| FILE NAME = 0720229-68697-016-Prec Br Appr Slab.dgn BFW BACON FARMER WORKMAN ENGINEERING & TESTING, INC. 433 NORTH COURT STREET MARIETTA, IL 61751-0097 PHONE: 815.937.9100 | USER NAME = PLOT SCALE = PLOT DATE = 3/18/2014 | DESIGNED - BWP CHECKED - CMV DRAWN - BJV CHECKED - BWP | REVISED - REVISED - REVISED - REVISED - | STATE OF ILLINOIS DEPARTMENT OF TRANSPORTATION | PRECAST BRIDGE APPROACH SLAB STRUCTURE NO. 072-0229 | F.A.S. RT.E. 1388 | SECTION (Z-1D-BR-1)BR | COUNTY PEORIA | TOTAL SHEETS 89 | SHEET NO. 58 |
| | SHEET NO. 16 OF 34 SHEETS | | | | | | CONTRACT NO. 68697 | | ILLINOIS FED. AID PROJECT | |