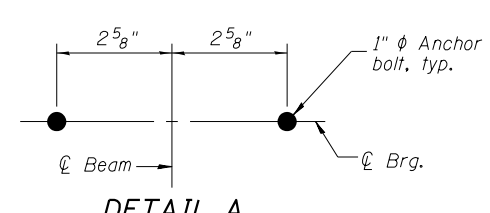
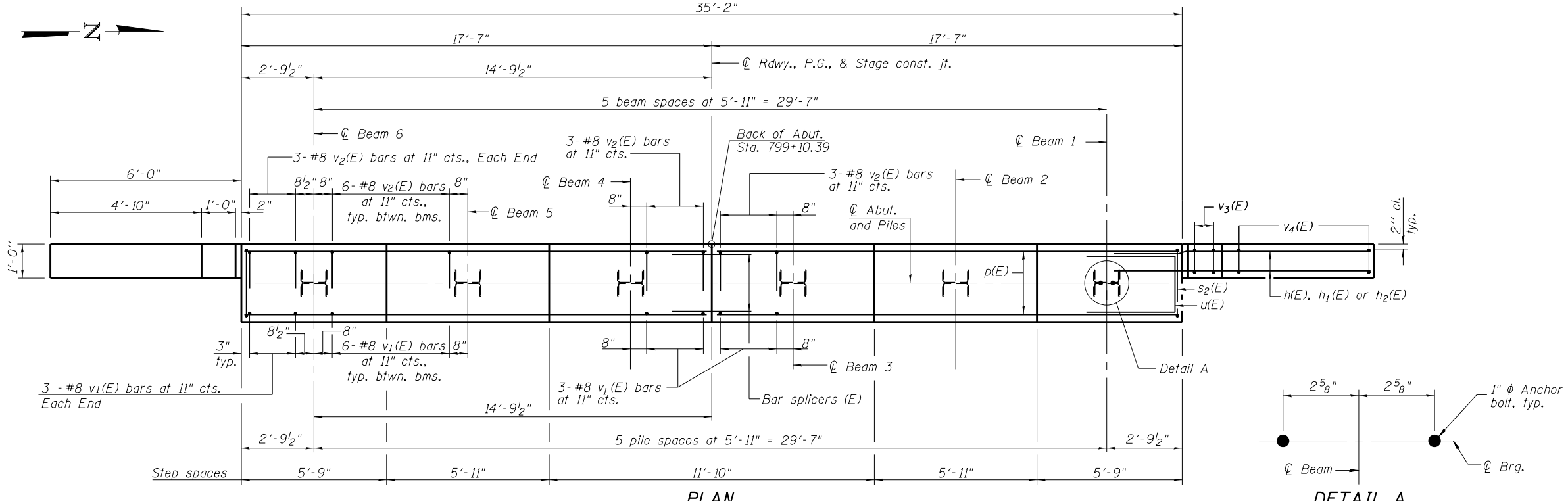
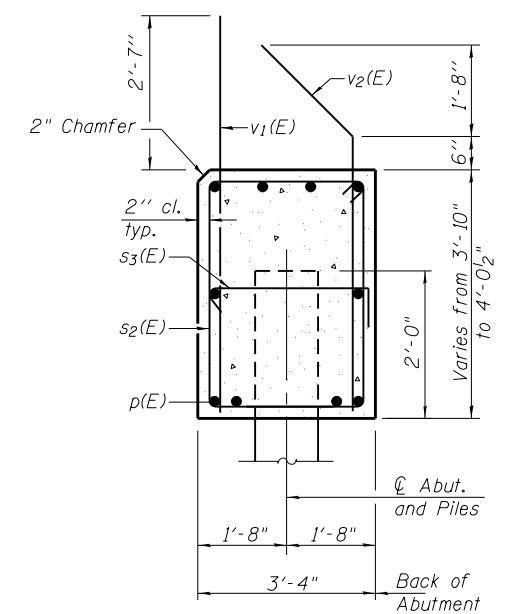
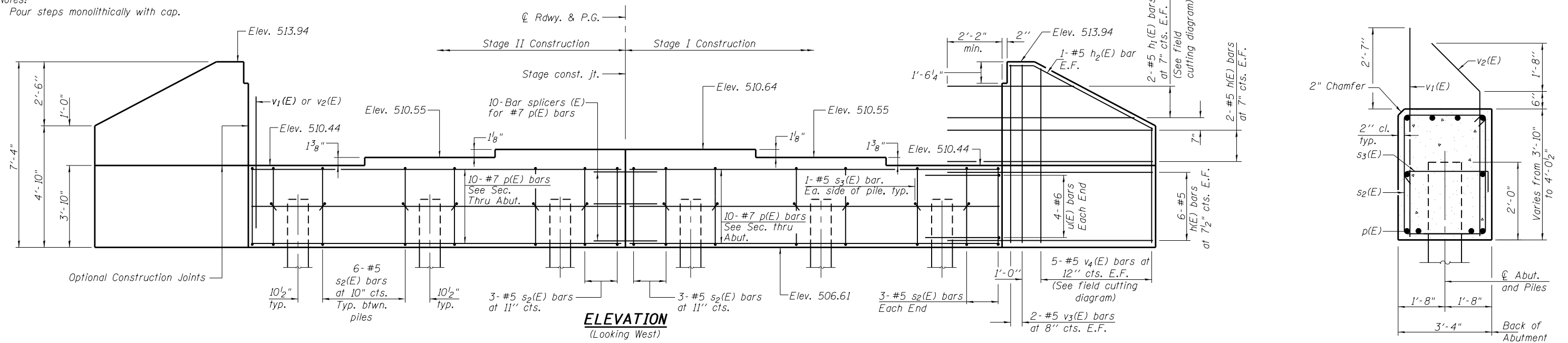


Notes:
Pour steps monolithically with cap.



SEC. THRU ABUT.

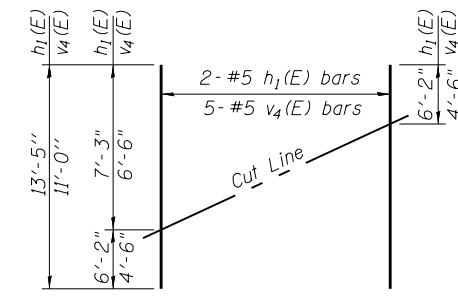
BILL OF MATERIAL

Bar	No.	Size	Length	Shape
h(E)	32	#5	8'-0"	—
h ₁ (E)	4	#5	13'-5"	—
h ₂ (E)	4	#5	6'-1"	—
p(E)	20	#7	17'-3"	—
s ₂ (E)	36	#5	13'-11"	□
s ₃ (E)	12	#5	4'-0"	└
u(E)	8	#6	10'-7"	□
v ₁ (E)	36	#8	6'-3"	—
v ₂ (E)	36	#8	6'-6"	└
v ₃ (E)	8	#5	7'-0"	—
v ₄ (E)	10	#5	11'-0"	—
Structure Excavation		Cu. Yd.	81	
Concrete Structures		Cu. Yd.	19.9	
Reinforcement Bars, Epoxy Coated		Pound	3,150	
Furnishing Steel Piles HP 12x53		Foot	215	
Driving Piles		Foot	215	
Test Pile HP 12x53		Each	1	

For details of piles see sheet 27 of 34.

PILE DATA

Type: HP 12x53
Nominal Required Bearing: 419
Factored Resistance Available: 230
Est. Length: 43'
No. Production Piles: 5
No. Test Piles: 1



Order h₁(E) and v₄(E) full length. Cut as shown and use remainder of bars in opposite face.

