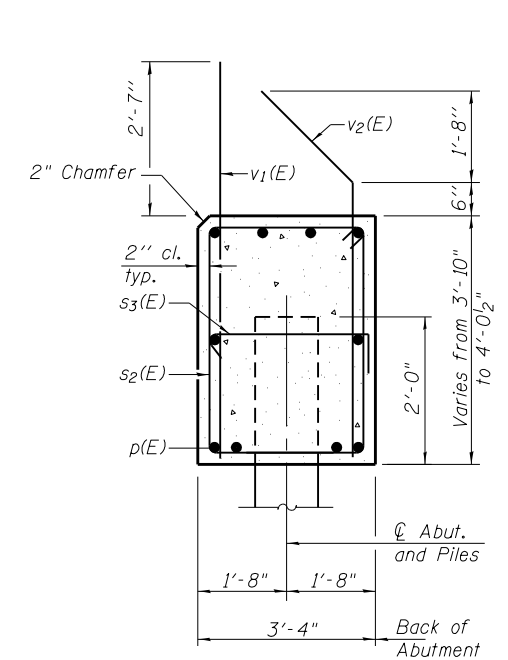
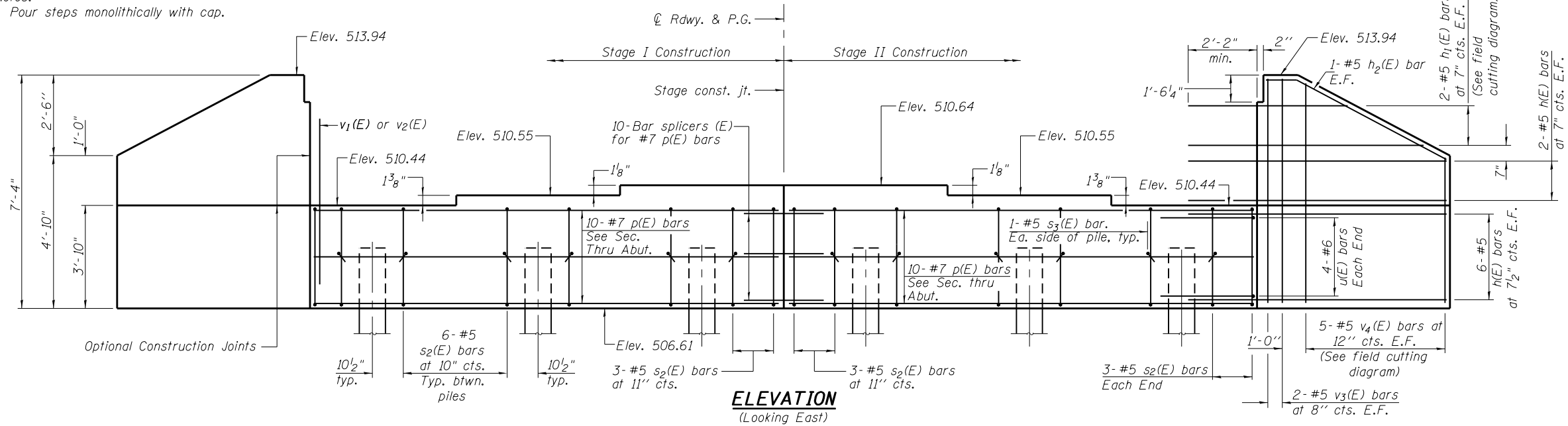


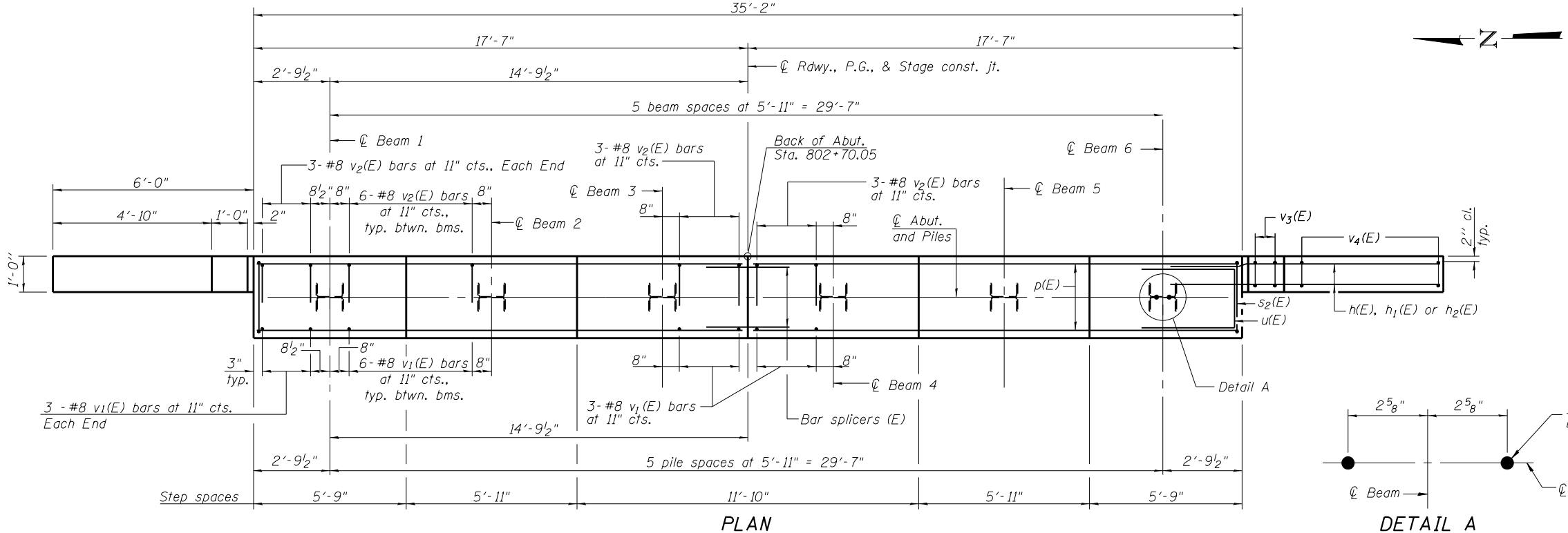
Notes:  
Pour steps monolithically with cap.



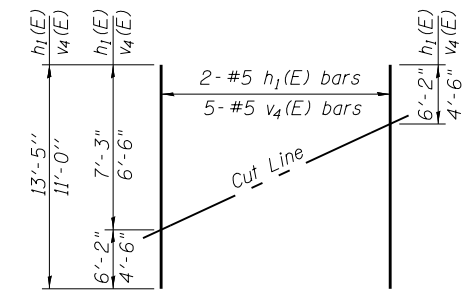
**SEC. THRU ABUT.**  
**BILL OF MATERIAL**

Bar	No.	Size	Length	Shape	
h(E)	32	#5	8'-0"	—	
h1(E)	4	#5	13'-5"	—	
h2(E)	4	#5	6'-1"	—	
p(E)	20	#7	17'-3"	—	
s2(E)	36	#5	13'-11"	□	
s3(E)	12	#5	4'-0"	└	
u(E)	8	#6	10'-7"	▭	
v1(E)	36	#8	6'-3"	—	
v2(E)	36	#8	6'-6"	└	
v3(E)	8	#5	7'-0"	—	
v4(E)	10	#5	11'-0"	—	
Structure Excavation				Cu. Yd.	81
Concrete Structures				Cu. Yd.	19.9
Reinforcement Bars, Epoxy Coated				Pound	3,150
Furnishing Steel Piles HP 12x53				Foot	220
Driving Piles				Foot	220
Test Pile HP 12x53				Each	1

For details of piles see sheet 27 of 34.



**PILE DATA**  
Type: HP 12x53  
Nominal Required Bearing: 419  
Factored Resistance Available: 230  
Est. Length: 44'  
No. Production Piles: 5  
No. Test Piles: 1



**FIELD CUTTING DIAGRAM**  
Order h1(E) and v4(E) full length. Cut as shown and use remainder of bars in opposite face.

