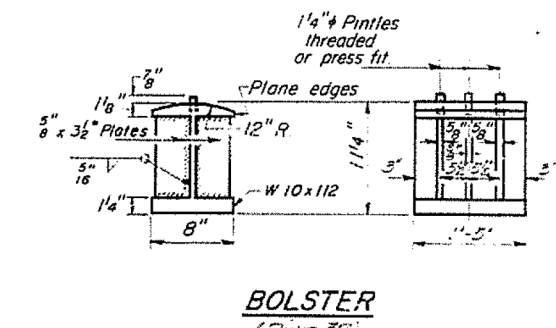
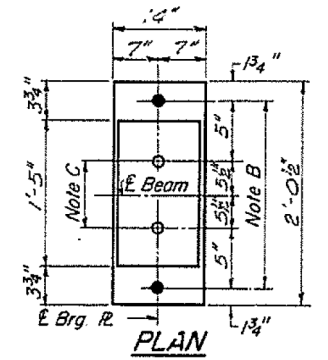
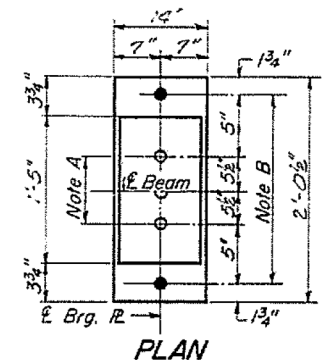
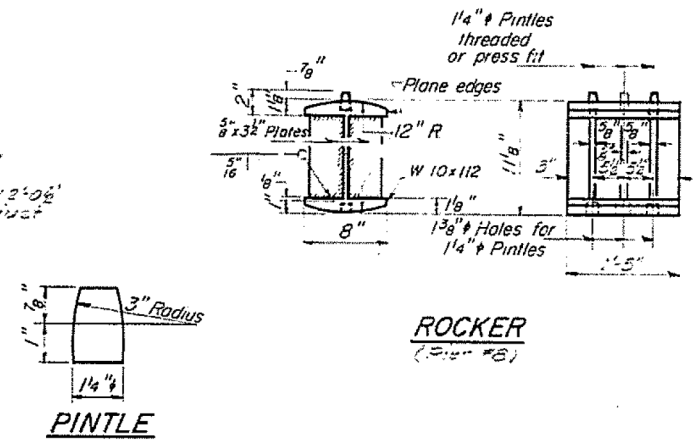
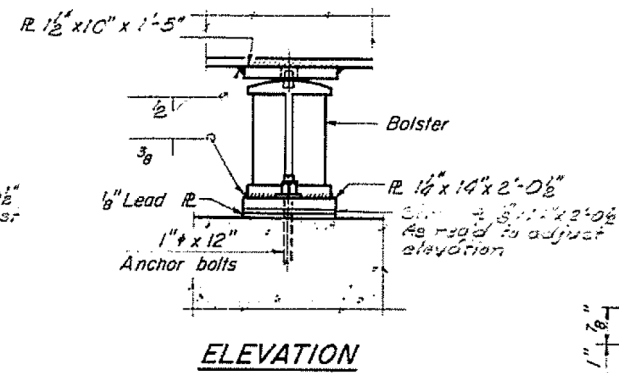


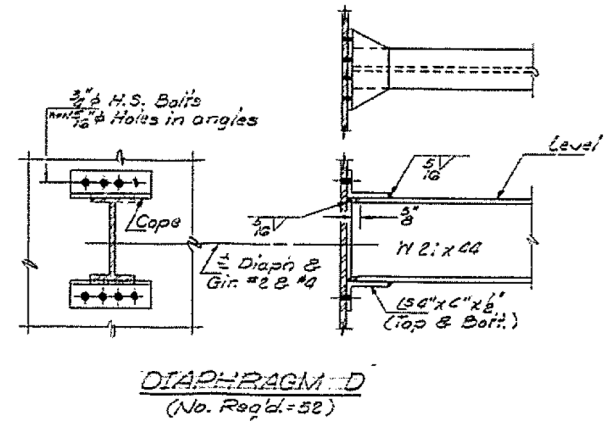
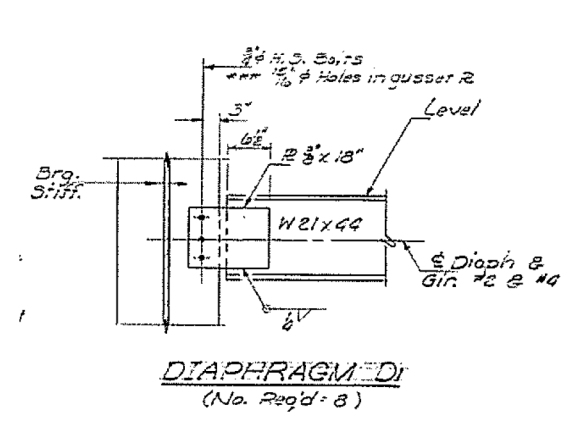
Anchor Bolts for steel erection at various temperatures



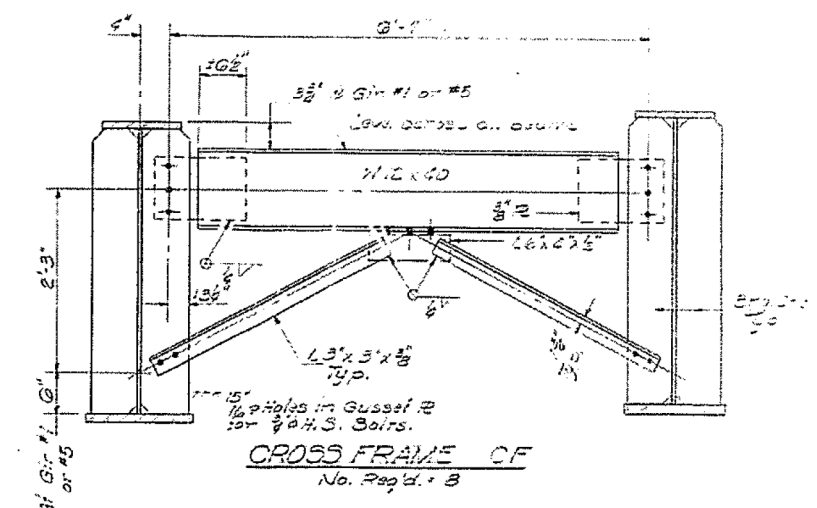
BEARING ASSEMBLY DETAILS

NOTE B
1 1/2" Holes for 1" anchor bolts.
16 x 2 1/2 x 2 1/2 R. Washers under nut.

NOTE C
1 3/8" Holes 1" deep in top R only for 1 1/4" pintles.



***Hardened washers shall be required over 1/8" Holes.



DIAPHRAGM, CROSS FRAME AND BEARING DETAILS