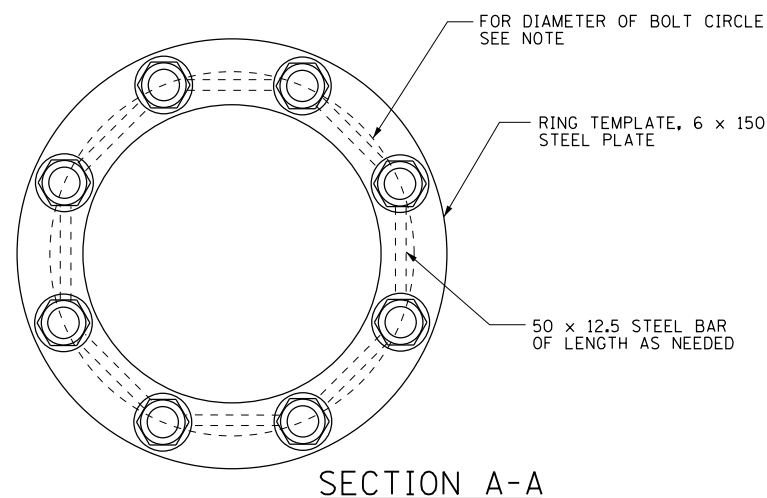
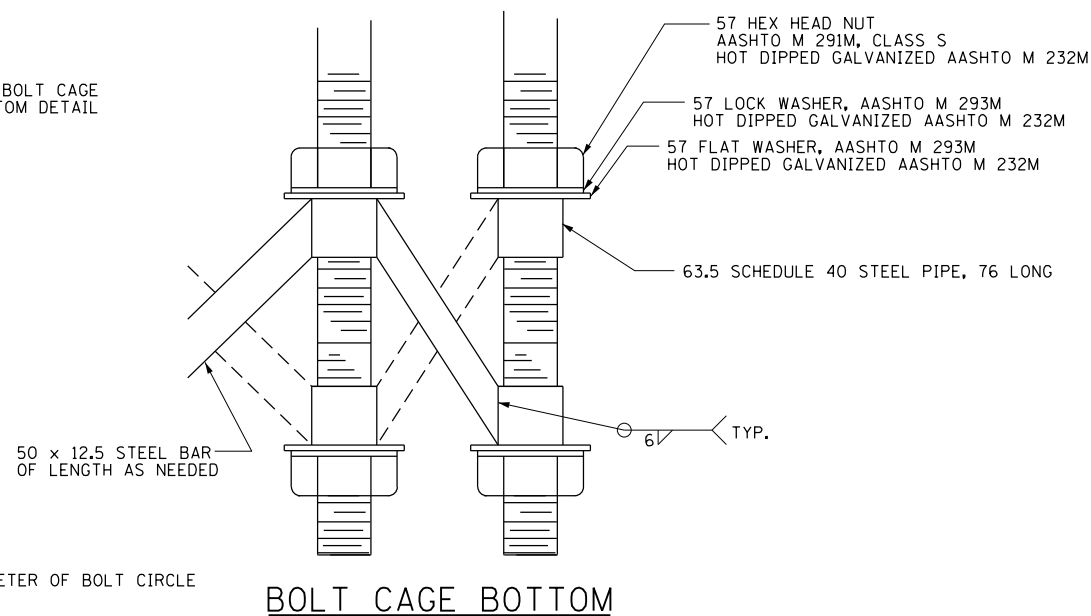
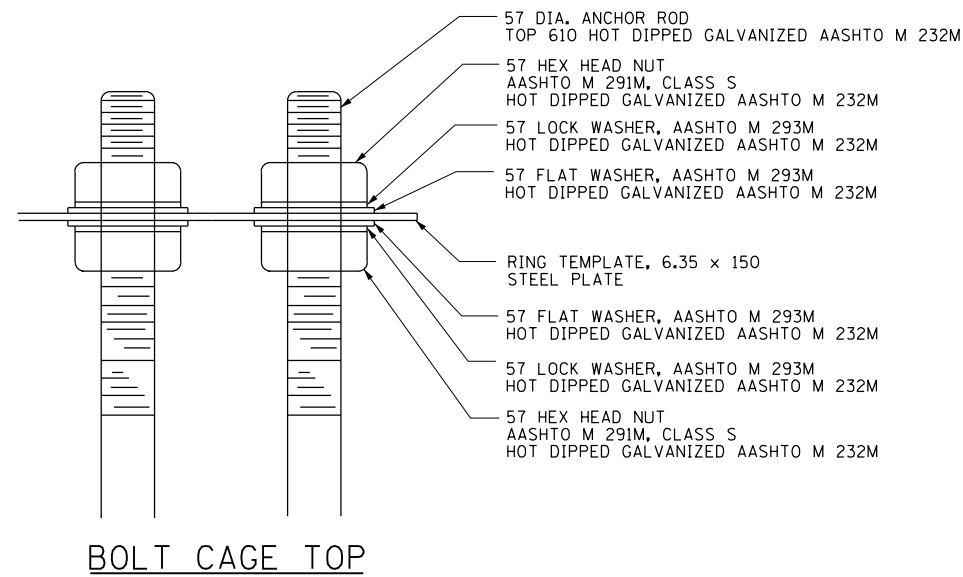
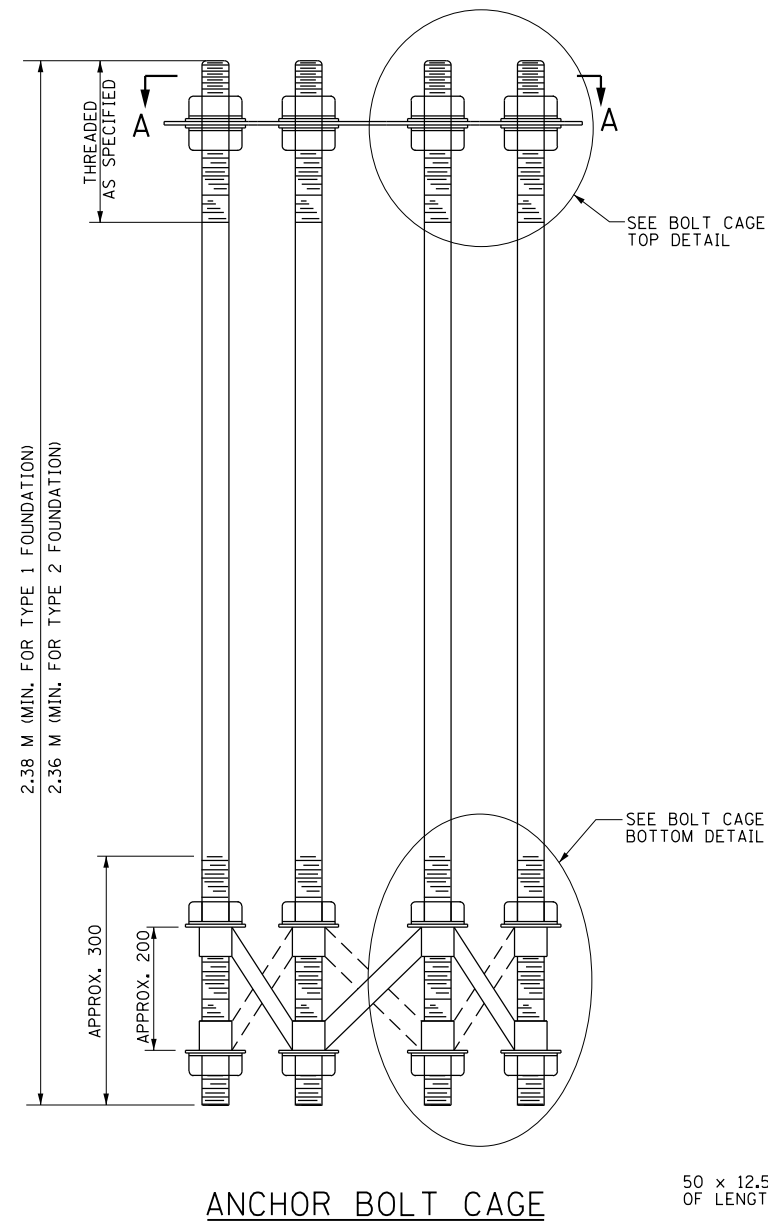


FOUNDATION NOTES



NOTE: CONTRACTOR SHALL VERIFY AND FULLY COORDINATE THE PROPOSED FOUNDATION'S ANCHOR BOLT SIZE, LENGTH, AND CIRCLE DIAMETER WITH THE HIGH MAST TOWER MANUFACTURER'S ANCHOR BOLT CIRCLE.

FILE NAME = 68B88 - High Mast Lighting Repair (Final)	USER NAME = aubreys	DESIGNED -	REVISED -
1-19-14.dgn		DRAWN -	REVISED -
PLOT SCALE = 1/4" = 1'-0"		CHECKED -	REVISED -
PLOT DATE = 4/18/2014		DATE -	REVISED -

STATE OF ILLINOIS
DEPARTMENT OF TRANSPORTATION

LIGHT TOWER FOUNDATION NOTES
AND ANCHOR BOLT DETAILS

SCALE: _____ STA. _____ TO STA. _____

F&I/F&P RTE.	SECTION	COUNTY	TOTAL SHEET SHEETS	NO.
74/150	72(17,91)-48-I-6	PEORIA-TAZEWELL	11	11
CONTRACT NO. 68B88			ILLINOIS FED. AID PROJECT	