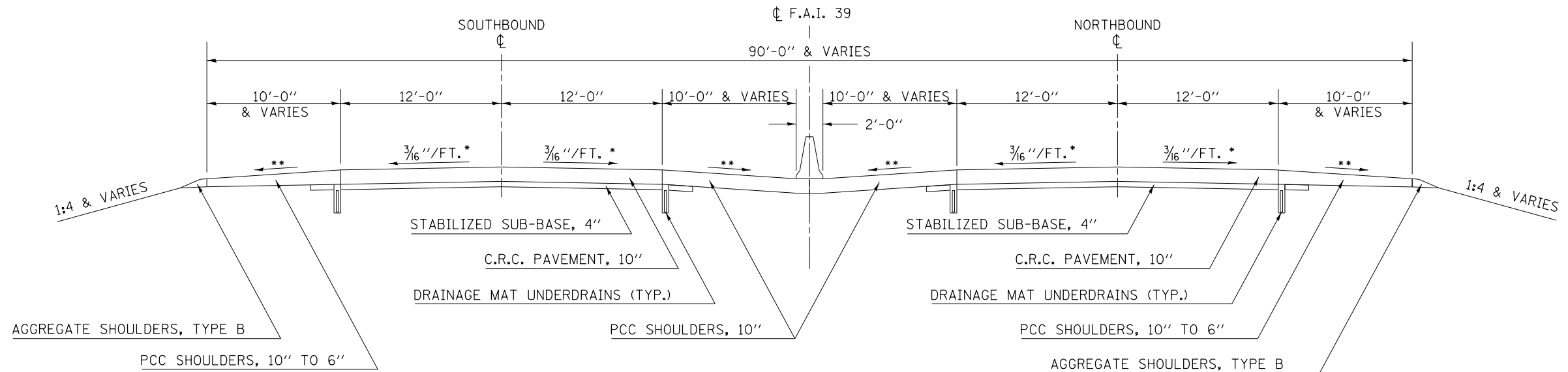


EXISTING TYPICAL SECTION F.A.I. 39

(2)

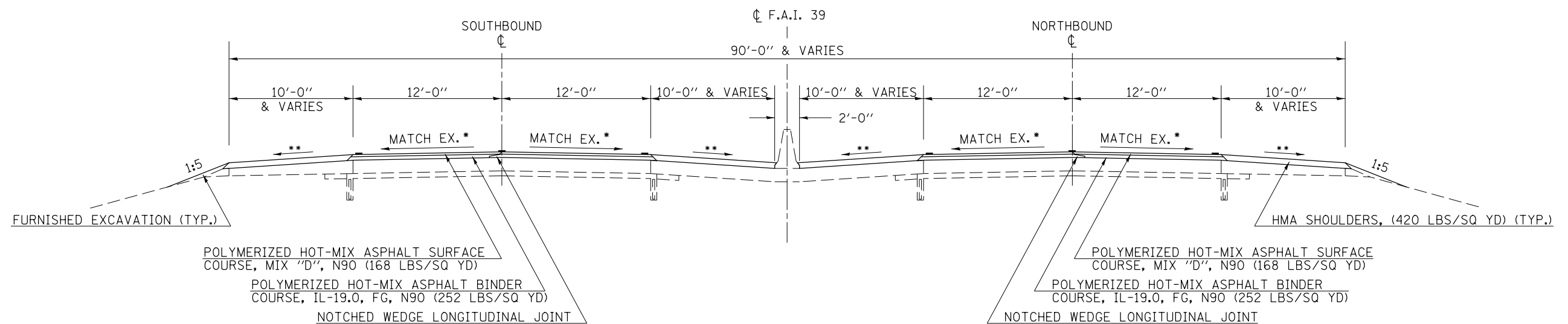
STATION TO STATION
 ① SB 511+11.00 TO 550+04.00
 ① NB 511+11.00 TO 549+61.00



PROPOSED TYPICAL SECTION F.A.I. 39

(2)

STATION TO STATION
 ① SB 511+11.00 TO 550+04.00
 ① NB 511+11.00 TO 549+61.00



* SLOPE VARIES FOR SUPERELEVATION IN CURVES

** SLOPE VARIES IN SUPERELEVATION WITH MAXIMUM OF 0.08 FT/FT DIFFERENCE

FILE NAME =	USER NAME = bergana.j	DESIGNED -	REVISED -	STATE OF ILLINOIS DEPARTMENT OF TRANSPORTATION	TYPICAL SECTIONS	F.A.I. RTE. 39	SECTION (57-3,57-4)RS	COUNTY MCLEAN	TOTAL SHEETS 94	SHEET NO. 14
et:\pwork\pwork\dot\bergana.j\d0373914\0570A20-SHT-TYPICAL.dgn		DRAWN -	REVISED -							
	PLOT SCALE = 40.0000' / in.	CHECKED -	REVISED -							
#MODELNAME#	PLOT DATE = 3/18/2014	DATE -	REVISED -		SCALE:	SHEET 2 OF 3 SHEETS	STA.	TO STA.		CONTRACT NO. 70A20
										ILLINOIS FED. AID PROJECT