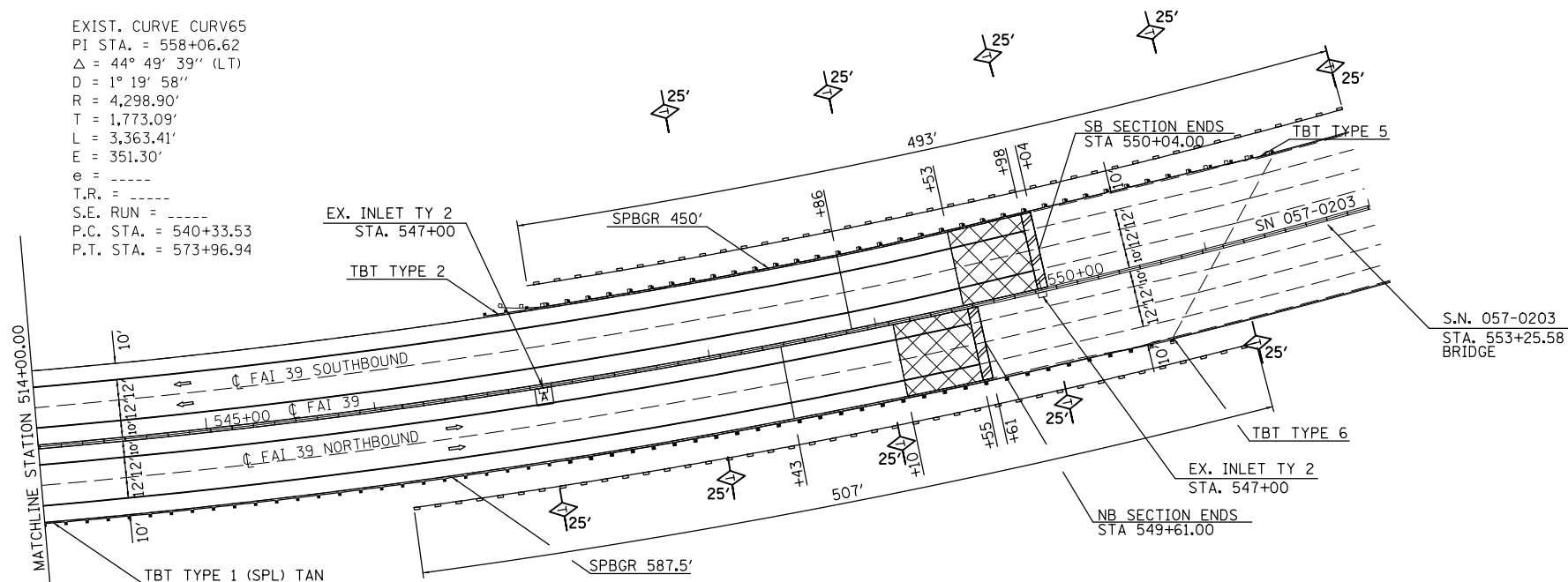


EXIST. CURVE CURV65
 PI STA. = 558+06.62
 $\Delta = 44^\circ 49' 39''$ (LT)
 $D = 1^\circ 19' 58''$
 $R = 4,298.90'$
 $T = 1,773.09'$
 $L = 3,363.41'$
 $E = 351.30'$
 $e = \text{-----}$
 $T.R. = \text{-----}$
 $S.E. \text{ RUN} = \text{-----}$
 $P.C. \text{ STA.} = 540+33.53$
 $P.T. \text{ STA.} = 573+96.94$



- LEGEND
- PORTLAND CEMENT CONCRETE SURFACE REMOVAL - BUTT JOINT
 - CLASS D PATCH, 10"
 - TEMPORARY DITCH CHECKS
 - FRAMES AND GRATES TO BE ADJUSTED
 - PERIMETER EROSION BARRIER

FILE NAME =	USER NAME = bergenej	DESIGNED -	REVISED -
ei:\pwwork\pwwork\bergenej\0373914\0570203-shr-dblp1n.dgn		DRAWN -	REVISED -
	PLOT SCALE = 100.0000' / 1in.	CHECKED -	REVISED -
MODELNAME	PLOT DATE = 3/18/2014	DATE -	REVISED -

**STATE OF ILLINOIS
DEPARTMENT OF TRANSPORTATION**

I 39 PLAN SHEET	
SCALE:	SHEET 9 OF 9 SHEETS STA. 529+00 TO STA. 552+00

F.A.I. RTE.	SECTION	COUNTY	TOTAL SHEETS	SHEET NO.
39	(57-3,57-4)RS	MCLEAN	94	41
CONTRACT NO. 70A20				
ILLINOIS FED. AID PROJECT				