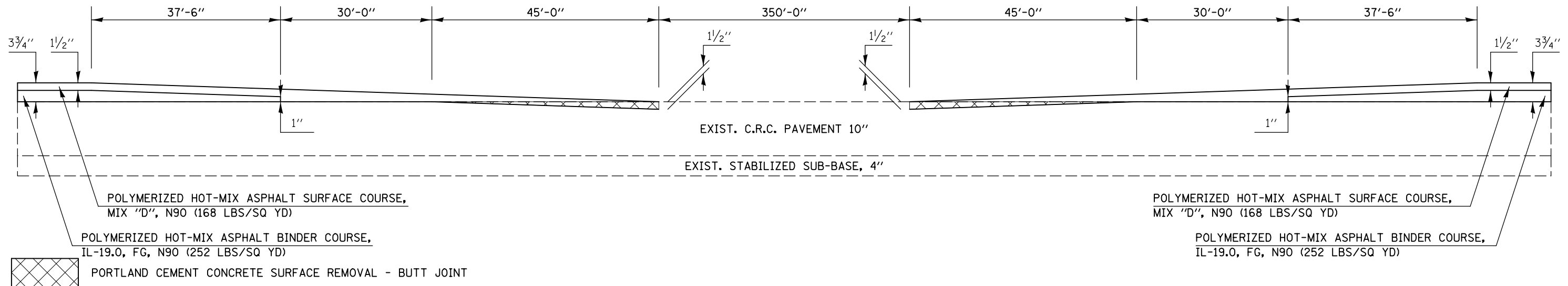


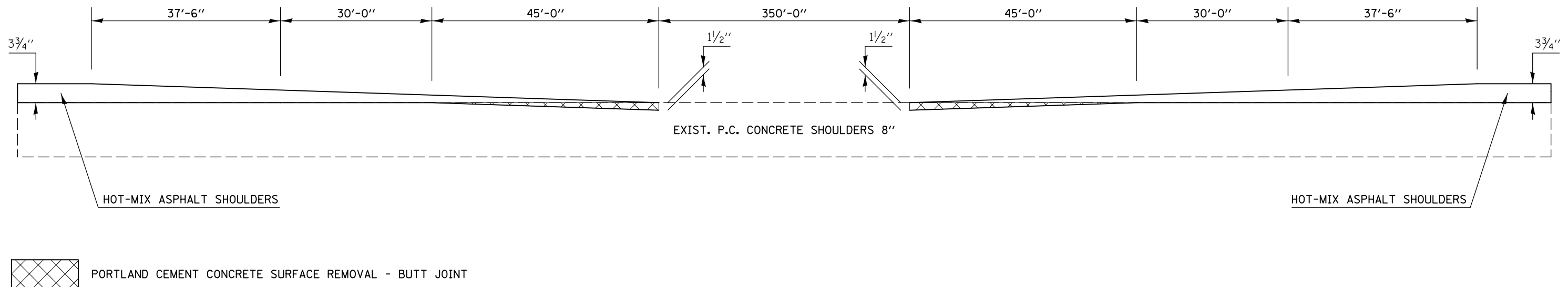
## DETAIL FOR I-39 PAVING TRANSITIONS UNDER S.N. 057-0213

STATION 502+18.00 TO STATION 507+93.00 UNDER S.N. 057-0204



## DETAIL FOR I-39 SHOULDER PAVING TRANSITIONS UNDER S.N. 057-0213

STATION 502+18.00 TO STATION 507+93.00 UNDER S.N. 057-0204



FILE NAME =	USER NAME = bergenej	DESIGNED -	REVISED -
ei:\pwork\pwork\bergenej\d0373914\057020420-SHT-DETAILS.dgn		DRAWN -	REVISED -
	PLOT SCALE = 40.0000' / in.	CHECKED -	REVISED -
#MODELNAME#	PLOT DATE = 3/18/2014	DATE -	REVISED -

**STATE OF ILLINOIS  
DEPARTMENT OF TRANSPORTATION**

**MILLING AND PAVING TRANSITION DETAILS**

SCALE: SHEET 3 OF 4 SHEETS STA. TO STA.

F.A.I. RTE.	SECTION	COUNTY	TOTAL SHEETS	SHEET NO.
39	(57-3,57-4)RS	MCLEAN	94	44
CONTRACT NO. 70A20				
ILLINOIS FED. AID PROJECT				