

06-13-14 LETTING ITEM 240

STATE OF ILLINOIS
DEPARTMENT OF TRANSPORTATION
DIVISION OF HIGHWAYS

**PROPOSED
HIGHWAY PLANS**

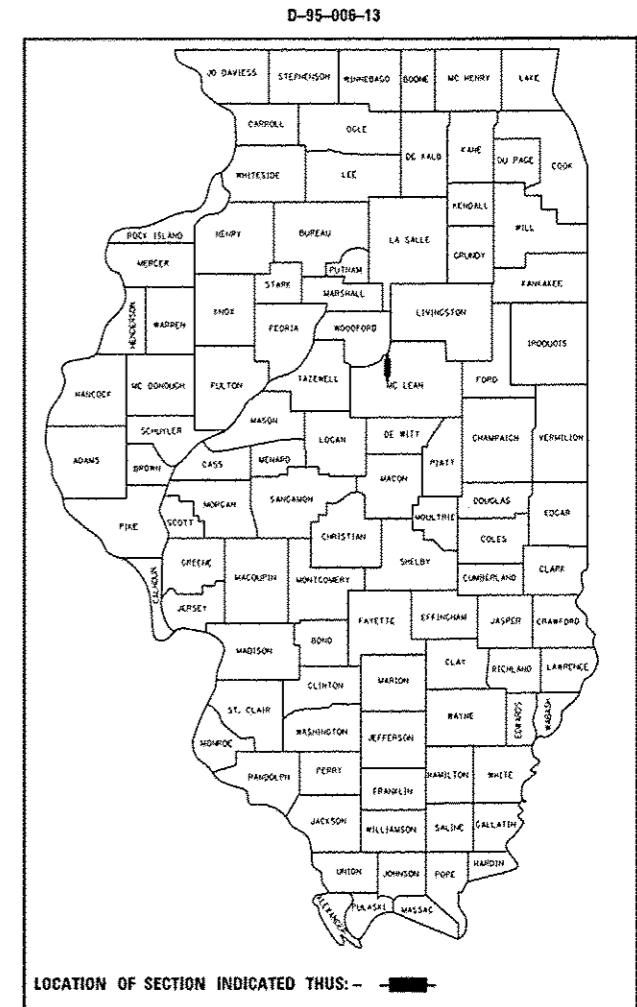
F.A.I. ROUTE 39 (I-39)
SECTION (57-3,57-4)RS
PROJECT ACNHPP-0039 (038)
RESURFACING (INT-1ST)
MCLEAN COUNTY

F.A.I. RTE.	SECTION	COUNTY	TOTAL SHEETS	SHEET NO.
39	(57-3,57-4)RS	MCLEAN	94	1
		ILLINOIS	CONTRACT NO. 70A20	

FOR INDEX OF SHEETS, SEE SHEET NO. 2
FOR SUMMARY OF QUANTITIES, SEE SHEET NO. 7 THROUGH 12

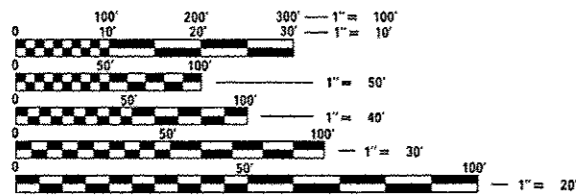
CURRENT TRAFFIC DATA				
	LEG "A"	LEG "B"	LEG "C"	
2013 ADT	18,500	18,600	16,200	
P.U. %	66.0	69.0	64.6	
S.U. %	5.9	5.1	4.7	
M.U. %	28.1	25.9	30.7	

LEG "A" IS FROM SIX MILE CREEK TO FAS 472.
LEG "B" IS FROM FAS 472 TO IL 251.
LEG "C" IS FROM IL 251 TO WOODFORD COUNTY LINE.



DESIGN DESIGNATION
N/A

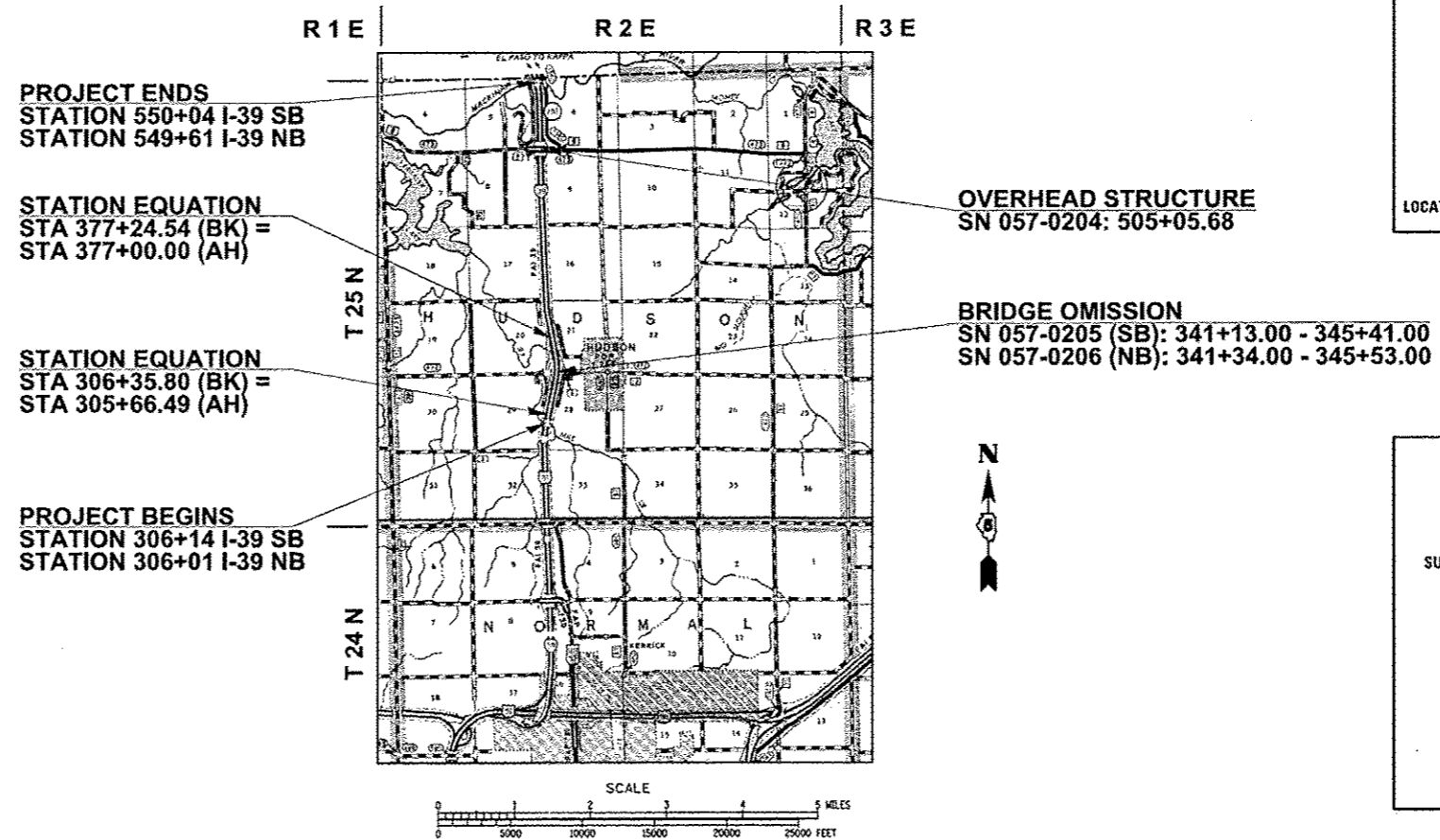
C-95-006-13
SIX MILE CREEK SW OF HUDSON TO WOODFORD COUNTY LINE



FULL SIZE PLANS HAVE BEEN PREPARED USING STANDARD ENGINEERING SCALES. REDUCED SIZED PLANS WILL NOT CONFORM TO STANDARD SCALES. IN MAKING MEASUREMENTS ON REDUCED PLANS, THE ABOVE SCALES MAY BE USED.

J.U.L.I.E.
JOINT UTILITY LOCATION INFORMATION FOR EXCAVATION
1-800-892-0123 (HUDSON TOWNSHIP)
OR 811

PROJECT ENGINEER: NANCY FASIG
SQUAD LEADER: BRIAN J. HOGAN
DESIGNER: ANDREW BERGAN
(217) 465-4181
CONTRACT NO. 70A20



GROSS LENGTH = 24,453.85 FEET = 4.631 MILES
NET LENGTH = 24,034.85 FEET = 4.552 MILES

STATE OF ILLINOIS
DEPARTMENT OF TRANSPORTATION
DIVISION OF HIGHWAYS

SUBMITTED 3-19 20 14

Joseph F. Crowe
DEPUTY DIRECTOR OF HIGHWAYS, REGION ENGINEER

May 9 20 14
John D. Baranzola, RE, PE
ENGINEER OF DESIGN AND ENVIRONMENT

May 9 20 14
Orin Osman, RE, PE
DIRECTOR OF HIGHWAYS, CHIEF ENGINEER

PRINTED BY THE AUTHORITY
OF THE STATE OF ILLINOIS

INDEX OF SHEETS

SHEET NO.	DESCRIPTION
1	COVER SHEET
2	INDEX OF SHEETS
3	LIST OF STANDARDS
4-5	GENERAL NOTES
6	STRUCTURE INFORMATION
7-12	SUMMARY OF QUANTITIES
13-15	TYPICAL SECTIONS
16	PROPOSED STAGING PLAN
17-32	SCHEDULES OF QUANTITIES
33-41	PLAN SHEETS
42-45	BUTT JOINT AND PAVING TRANSITION DETAILS
46	TRAFFIC CONTROL AND PROTECTION STANDARD 701401 (SPECIAL) DETAIL
47	DELINEATORS DETAIL
48	TRAFFIC CONTROL FOR RAMPS DETAIL
49	PAVEMENT MARKING (INTERSTATE & MULTI-LANE APPLICATIONS)
50-94	CROSS SECTIONS

FILE NAME =	USER NAME = bergana_j	DESIGNED -	REVISED -	STATE OF ILLINOIS DEPARTMENT OF TRANSPORTATION	INDEX OF SHEETS	F.A.T. RTE.	SECTION	COUNTY	TOTAL SHEETS	SHEET NO.	
c:\pwork\pwork\berdana_j\08373914\057	A20-SHT-GENNOTE.dgn	DRAWN -	REVISED -			39	(57-3,57-4)RS	MCLEAN	94	2	
	PLOT SCALE = 40.0000' / 1" =	CHECKED -	REVISED -			CONTRACT NO. 70A20					
MODELNAME	PLOT DATE = 3/18/2014	DATE -	REVISED -			SCALE:	SHEET 1 OF 1 SHEETS	STA.	TO STA.	ILLINOIS FED. AID PROJECT	

HIGHWAY STANDARDS

STANDARD NO.	DESCRIPTION
000001-06	STANDARD SYMBOLS, ABBREVIATIONS, AND PATTERNS
001001-02	AREAS OF REINFORCEMENT BARS
001006	DECIMAL OF AN INCH AND OF A FOOT
280001-07	TEMPORARY EROSION CONTROL SYSTEMS
420001-07	PAVEMENT JOINTS
420101-04	24' (7.2 m) JOINTED PCC PAVEMENT
420206-09	ENTRANCE RAMP TERMINAL (JOINTED PCC RAMP PAVEMENT ADJACENT TO CRC MAINLINE PAVEMENT)
420306-07	EXIT RAMP TERMINAL (JOINTED PCC RAMP PAVEMENT ADJACENT TO CRC MAINLINE PAVEMENT)
420701-02	PAVEMENT FABRIC
421001-02	BAR REINFORCEMENT FOR CRC PAVEMENT
442001-04	CLASS A PATCHES
442101-07	CLASS B PATCHES
442201-03	CLASS C AND D PATCHES
483001-04	PCC SHOULDER
630001-10	STEEL PLATE BEAM GUARDRAIL
630301-06	SHOULDER WIDENING FOR TYPE 1(SPECIAL) GUARDRAIL TERMINALS
631011-09	TRAFFIC BARRIER TERMINAL, TYPE 2
631026-05	TRAFFIC BARRIER TERMINAL, TYPE 5
631031-12	TRAFFIC BARRIER TERMINAL, TYPE 6
635001-01	DELINEATORS
635006-03	REFLECTOR AND TERMINAL MARKER PLACEMENT
635011-02	REFLECTOR MARKER AND MOUNTING DETAILS

HIGHWAY STANDARDS

STANDARD NO.	DESCRIPTION
642001-02	SHOULDER RUMBLE STRIPS, 16 IN.
701101-04	OFF-ROAD OPERATIONS, MULTILANE, 15' (4.5 m) TO 24" (600 mm) FROM PAVEMENT EDGE
701106-02	OFF-ROAD OPERATIONS, MULTILANE, MORE THAN 15' (4.5 m) AWAY
701400-07	APPROACH TO LANE CLOSURE, FREEWAY/EXPRESSWAY
701401-08	LANE CLOSURE, FREEWAY/EXPRESSWAY
701406-08	LANE CLOSURE, FREEWAY/EXPRESSWAY, DAY OPERATIONS ONLY
701411-08	LANE CLOSURE, MULTILANE, AT ENTRANCE OR EXIT RAMP, FOR SPEEDS >= 45 MPH
701426-06	LANE CLOSURE, MULTILANE, INTERMITTENT OR MOVING OPERATION, FOR SPEEDS >= 45 MPH
701901-03	TRAFFIC CONTROL DEVICES
720011-01	METAL POSTS FOR SIGNS, MARKERS AND DELINEATORS
780001-04	TYPICAL PAVEMENT MARKINGS
781001-03	TYPICAL APPLICATIONS OF RAISED REFLECTIVE PAVEMENT MARKINGS

FILE NAME =	USER NAME = bergana.j	DESIGNED -	REVISED -	STATE OF ILLINOIS DEPARTMENT OF TRANSPORTATION	HIGHWAY STANDARDS	F.A.I. RTE.	SECTION	COUNTY	TOTAL SHEETS	SHEET NO.
c:\pwork\p\p\dot\bergana\28373914\057	2828-SHT-GENNOTE.dgn	DRAWN -	REVISED -			39	157-3,57-4IRS	MCLEAN	94	3
	PLOT SCALE = 40.0000' / 1"	CHECKED -	REVISED -			CONTRACT NO. 70A20				
MODELNAME =	PLOT DATE = 3/18/2014	DATE -	REVISED -			SCALE:	SHEET 1 OF 1 SHEETS	STA. TO STA.	ILLINOIS FED. AID PROJECT	

GENERAL NOTES

G.N.-100
 ENGLISH UNITS OF MEASUREMENT SHALL GOVERN OVER AND SUPERSEDE ANY METRIC UNITS SHOWN IN THIS CONTRACT. WHERE INCLUDED, METRIC UNITS ARE FOR INFORMATION ONLY.

G.N.-100A
 ELECTRONIC FILES AND/OR ELECTRONIC SURVEY INFORMATION INCLUDING CADD FILES WILL NOT BE AVAILABLE TO THE CONTRACTOR.

G.N.-105.07B
 EXISTING STATE-OWNED AND MAINTAINED UTILITY LINES ARE SHOWN ON THE PLANS TO INDICATE THEIR PRESENCE AND APPROXIMATE LOCATION. THE CONTRACTOR SHALL SECURE AN APPROVED LOCATING FIRM TO LOCATE STATE-OWNED UTILITIES PRIOR TO COMMENCING ANY EXCAVATION IN THE VICINITY OF THESE LINES IN ACCORDANCE TO SECTION 803 OF THE STANDARD SPECIFICATIONS. SHOULD ANY OF THE LINES BE DAMAGED BY THE CONTRACTOR'S OPERATION, THE CONTRACTOR SHALL REPAIR THEM TO THE SATISFACTION OF THE ENGINEER AT NO COST TO THE STATE.

ALSO THERE MAY BE UTILITIES PRESENT WHICH WERE INSTALLED BY THE STATE BUT ARE MAINTAINED BY OTHERS (CITY, TOWN, ETC.) THE APPROXIMATE LOCATIONS OF THESE LINES ARE ALSO SHOWN ON THE PLANS ALONG WITH THE NAME OF THE MAINTAINING AGENCY. THE CONTRACTOR SHALL COORDINATE THE LOCATION OF THESE LINES WITH THE LOCAL AGENCY PRIOR TO COMMENCING ANY EXCAVATION OR BORING IN THEIR VICINITY. SHOULD THESE LINES BE DAMAGED BY THE CONTRACTOR'S OPERATIONS, THE CONTRACTOR SHALL REPAIR THEM TO THE SATISFACTION OF, AND AT NO COST TO, THE LOCAL AGENCY AND THE STATE.

G.N.-105.09A
 ALL ELEVATIONS SHOWN IN THE PLANS ARE BASED ON NORTH AMERICAN VERTICAL DATUM OF 1988. (NAVD 88)

G.N.-250C
 SEEDING, CLASS 7 AND MULCH, METHOD 2 IS INCLUDED IN THIS CONTRACT TO SEED NEW EARTH SHOULDERS DURING TIME PERIODS WHEN PERMANENT SEEDING IS NOT ALLOWED. SOME OR ALL OF THE CLASS 7 SEEDING AND MULCH WILL BE DELETED IF IT IS POSSIBLE TO PLACE PERMANENT SEEDING ON EARTH SHOULDERS AT THE TIME OF THEIR COMPLETION.

G.N.-280
 TEMPORARY EROSION CONTROL SEEDING IS INCLUDED IN THIS CONTRACT TO SEED DISTURBED EARTH DURING TIME PERIODS WHEN PERMANENT SEEDING IS NOT ALLOWED. SOME OR ALL OF THE TEMPORARY EROSION CONTROL SEEDING WILL BE DELETED IF IT IS POSSIBLE TO PLACE PERMANENT SEEDING ON EARTH AT THE TIME OF THEIR COMPLETION.

G.N.-280A
 THE VARIOUS MULCH PAY ITEMS IN THE PLANS INCLUDE QUANTITIES FOR TEMPORARY MULCH FOR EROSION CONTROL. THE TEMPORARY MULCH INCLUDES MAINTENANCE AND REMOVAL IF NECESSARY, PER THE REQUIREMENTS OF ARTICLE 280 OF THE STANDARD SPECIFICATIONS, AND NO ADDITIONAL COMPENSATION WILL BE ALLOWED. SOME OR ALL OF THE MULCH USED AS TEMPORARY EROSION CONTROL WILL BE DELETED IF IT IS NOT NECESSARY DUE TO ESTABLISHMENT OF PERMANENT SEEDING.

G.N.-406
 THE QUANTITIES INCLUDED IN THE PLANS FOR HOT-MIX ASPHALT RESURFACING ARE INTENDED TO GIVE THE COVERAGE SHOWN ON THE TYPICAL CROSS SECTIONS. IT IS NOT INTENDED TO INCREASE THE THICKNESS OF THE HOT-MIX ASPHALT MIXTURE IN ORDER TO USE ALL OF THE QUANTITIES INCLUDED IN THE CONTRACT.

G.N.-406.05b
 ALL LEVELING BINDER OR BINDER SHALL BE GIVEN A FOG COAT OF PRIME BEFORE THE SURFACE COURSE IS PLACED WHEN DIRECTED BY THE ENGINEER.

THE FOG COAT WILL BE PAID FOR AT THE CONTRACT UNIT PRICE PER GALLON FOR BITUMINOUS MATERIAL (PRIME COAT) AND NO ADDITIONAL COMPENSATION WILL BE ALLOWED.

G.N.-406.10
 FOR MULTILANE RESURFACING

WHEN BEGINNING THE RESURFACING WITH NEW MIXTURES FOR LEVELING BINDER, BINDER COURSE, AND SURFACE COURSE MIXTURES, THE WORK WILL BE CONFINED TO THE INSIDE TRAFFIC LANE (PASSING LANE) FIRST. THE WORK WILL REMAIN ON THE INSIDE LANE UNTIL THE MIX HAS BEEN ADJUSTED AND APPROVED BY THE ENGINEER BEFORE ANY RESURFACING IS ALLOWED ON THE OUTSIDE (DRIVING) TRAFFIC LANE(S).

ANY DELAYS OR INCONVENIENCES CAUSED THE CONTRACTOR IN COMPLYING WITH THIS REQUIREMENT WILL BE CONSIDERED INCIDENTAL TO THE VARIOUS HOT-MIX ASPHALT PAY ITEMS, AS SHOWN IN THE CONTRACT, AND NO ADDITIONAL COMPENSATION WILL BE ALLOWED.

FILE NAME =	USER NAME = bergana_j	DESIGNED -	REVISED -	STATE OF ILLINOIS DEPARTMENT OF TRANSPORTATION	GENERAL NOTES	F.A.I. RTE.	SECTION	COUNTY	TOTAL SHEETS	SHEET NO.	
c:\p\work\p\doc\bergana\w2373914\057	M20-SHT-GENNOTE.dgn	DRAWN -	REVISED -			39	157-3,57-4RS	MCLEAN	94	4	
	PLOT SCALE = 40,0000' / 1" =	CHECKED -	REVISED -			CONTRACT NO. 70A20					
#MODELNAME#	PLOT DATE = 3/18/2014	DATE -	REVISED -			ILLINOIS FED. AID PROJECT					
						SCALE:		SHEET 1 OF 2 SHEETS			STA. TO STA.

GENERAL NOTES

G.N.-406H – MIXTURE REQUIREMENTS Contract: 70A20

Location	I-39	I-39	I-39
Mixture Use	Class D Patch (pvt & shld)	Poly FG Binder	Poly Surface
AC/PG	PG 64-22	SBS PG 70-28	SBS PG 70-28
RAP % (Max)	*	*	*
Design Air Voids	4.0% @ Ndes=90	4.0% @ Ndes=90	4.0% @ Ndes=90
Mix Comp(Gradation)	IL 19.0 FG	IL 19.0 FG	IL 9.5
Friction Aggregate	N.A.	N.A.	Mix D

Location	I-39	I-39
Mixture Use	Bottom Lift Shoulder	Top Lift Shoulder and Incidental
AC/PG	PG 64-22	PG 64-22
RAP % (Max)	*	*
Design Air Voids	2.0% @ Ndes=30	4.0% @ Ndes=30
Mix Comp(Gradation)	Other	IL 9.5L
Friction Aggregate	N.A.	Mix C

* See RAP - RAS BDE Special Provision

G.N. - 406K

THERE ARE VARIOUS PAY ITEMS IN THIS CONTRACT THAT INCLUDE THE USE OF HOT-MIX ASPHALT. UNLESS OTHERWISE LISTED BELOW THE HOT-MIX ASPHALT USED IN THE PAY ITEMS SHALL BE CONTROLLED AND ACCEPTED IN ACCORDANCE WITH ARTICLE 1030.05 "QUALITY CONTROL/QUALITY ASSURANCE (QC/QA)" OF THE STANDARD SPECIFICATIONS.

PAY CODE	ITEM DESCRIPTION	CONTROL AND ACCEPTANCE METHOD
40603243	Poly HMA Binder Course, IL 19.0, FG, N90	PFP
40603545	Poly HMA Surface Course, Mix "D", N90	PFP

PFP - HOT MIX ASPHALT PAY FOR PERFORMANCE USING PERCENT WITHIN LIMITS

QCP - HOT MIX ASPHALT QUALITY CONTROL FOR PERFORMANCE

QCAA - HOT MIX ASPHALT - ASSURANCE AND ACCEPTANCE

G.N.-442B – PATCHING SCHEDULES

THE PATCHING SCHEDULES INCLUDED IN THE PLANS REPRESENT THE BEST INFORMATION AVAILABLE AT THE TIME OF COMPLETION OF THE PLANS FOR LETTING. VARIATIONS IN LOCATION AND SIZES OF BOTH FULL-DEPTH AND PARTIAL-DEPTH PATCHES MAY OCCUR.

G.N.-482

ALL MATERIAL PLACED AS HOT-MIX ASPHALT SHOULDERS SHALL BE COMPACTED FROM 94.0 TO 98.4 PERCENT OF THE MAXIMUM THEORETICAL DENSITY. THIS REQUIREMENT SHALL APPLY TO IL 9.5L GRADATION SHOULDER MIXES AND OTHER MIXES (BOTTOM LIFT OF SHOULDERS). THIS MAXIMUM DENSITY SHALL BE DETERMINED FROM THE MOVING AVERAGE OF FOUR TESTS AS IN OTHER QC/QA TESTING. A NUCLEAR GAUGE DENSITY/CORE CORRELATION SHALL BE PERFORMED FOR THE IL 9.5L MIXES AND OTHER MIXES USING STANDARD CORRELATION PROCEDURES.

G.N.-609

PRIOR TO ROUTING TRAFFIC ONTO THE SHOULDERS AS SHOWN IN THE STAGING PLANS, THE CONTRACTOR SHALL SECURE THE GRATINGS ON SHOULDER INLETS AS DIRECTED BY THE ENGINEER. THIS WORK WILL BE PAID FOR ACCORDING TO ARTICLE 109.04.

G.N.-631

IF THE CONTRACTOR ELECTS TO USE THE ALTERNATE MOUNTING METHOD OF THRU DRILLING THE MOUNTING HOLES FOR THE TRAFFIC BARRIER TERMINALS, TYPE 6, THE HOLES SHALL BE DRILLED USING A CORE DRILL. A HAMMER DRILL WILL NOT BE ALLOWED.

G.N.-667

THE RESIDENT ENGINEER SHALL CONTACT THE PROGRAM DEVELOPMENT CHIEF OF SURVEYS PRIOR TO THE PRE-CONSTRUCTION CONFERENCE FOR INSTRUCTION AS TO SETTING OF TEMPORARY OR PERMANENT TIES FOR CENTERLINE ALIGNMENT CONTROL SURVEY MARKERS (PC'S, PT'S, AND PI'S). PROJECT IMPLEMENTATION PERSONNEL WILL BE RESPONSIBLE FOR LAYOUT OF THESE MARKERS.

G.N.-781-SPL

RAISED REFLECTIVE PAVEMENT MARKERS SHALL BE PLACED IN ACCORDANCE WITH STANDARD 781001, AND THE DETAILS SHOWN IN THE PLANS. IF THERE IS ANY DISCREPANCY BETWEEN THE STANDARD AND THE DETAILS IN THE PLANS, THE DETAILS IN THE PLANS SHALL GOVERN. THE FINAL PAVEMENT MARKINGS SHALL BE IN PLACE PRIOR TO PLACING THE RAISED REFLECTIVE PAVEMENT MARKERS.

PAVEMENT MARKERS ON I-39 SHALL BE PLACED TWO (EACH) AT EVEN SPACING IN EVERY OTHER 30 FOOT (9 m) SPACE BETWEEN THE DASHED CENTERLINE STRIPES.

G.N.-1004.01

COARSE AGGREGATE GRADATION CA-10 MAY BE USED WHENEVER COARSE AGGREGATE CA-6 IS SPECIFIED IN THE STANDARD SPECIFICATIONS.

NO COMMITMENTS

FILE NAME =	USER NAME = bargenej	DESIGNED -	REVISED -	STATE OF ILLINOIS DEPARTMENT OF TRANSPORTATION	GENERAL NOTES	F.A.I. RTE.	SECTION	COUNTY	TOTAL SHEETS	SHEET NO.	
o:\pwork\p\dot\bergenej\08373914\057	022-SHT-GENNOTE.dgn	DRAWN -	REVISED -			39	(57-3,57-4)RS	MCLEAN	94	5	
	PLOT SCALE = 40.0000' / 1"	CHECKED -	REVISED -			CONTRACT NO. 70A20		ILLINOIS FED. AID PROJECT			
#MODELNAME#	PLOT DATE = 3/18/2014	DATE -	REVISED -			SCALE:	SHEET 2 OF 2 SHEETS	STA.	TO STA.		

STRUCTURE INFORMATION

CLASS B PATCH (MAINLINE)
S.N. 057-0204 - STA. 505+05.41

PAVING OMISSIONS (MAINLINE)
S.N. 057-0205 STA. 341+13.00 TO 345+40.45
S.N. 057-0206 STA. 341+34.00 TO 345+53.73

MATERIAL TRANSFER DEVICE (MAINLINE)
UNLOADED ONLY
S.N. 057-0208 - STA. 304+65.00
S.N. 057-0209 - STA. 304+65.00
S.N. 057-0205 - STA. 343+38.38
S.N. 057-0206 - STA. 343+38.38
S.N. 057-2020 - STA. 339+84.00
S.N. 057-8531 - STA. 349+87.00
S.N. 057-8534 - STA. 403+75.00
S.N. 057-8535 - STA. 417+90.00
S.N. 057-8536 - STA. 451+05.00
S.N. 057-8537 - STA. 487+30.00
S.N. 057-0203 - STA. 553+25.58

MATERIAL TRANSFER DEVICE (CH 8)
UNLOADED ONLY
S.N. 057-0204 - STA. 505+05.41

MATERIAL TRANSFER DEVICE (CH 12 RAMP A)
UNLOADED ONLY
S.N. 057-8530 - STA. 15+68.00

MATERIAL TRANSFER DEVICE (CH 12 RAMP B)
UNLOADED ONLY
S.N. 057-8529 - STA. 6+90.00

MATERIAL TRANSFER DEVICE (CH 12 RAMP C)
UNLOADED ONLY
S.N. 057-2021 - STA. 16+65.00

MATERIAL TRANSFER DEVICE (CH 12 RAMP D)
UNLOADED ONLY
S.N. 057-2022 - STA. 2+28.00

FILE NAME *	USER NAME = bergenej	DESIGNED -	REVISED -	STATE OF ILLINOIS DEPARTMENT OF TRANSPORTATION	STRUCTURE INFORMATION	F.A.J. RTE.	SECTION	COUNTY	TOTAL SHEETS	SHEET NO.	
ex:\p-work\pwidot\bergenej\02073914\057	020-SHT-GENNOTE.dgn	DRAWN -	REVISED -			39	(57-3,57-4)RS	MCLEAN	94	6	
	PLOT SCALE = 40,0000' / in.	CHECKED -	REVISED -			CONTRACT NO. 70A20					
#MODELNAME	PLOT DATE = 3/18/2014	DATE -	REVISED -			SCALE:	SHEET 1 OF 1 SHEETS	STA.	TO STA.	ILLINOIS FED. AID PROJECT	

LOCATION OF WORK:

FAI 39	FAI 39
NORTHBOUND RURAL	SOUTHBOUND RURAL
INTERSTATE	INTERSTATE
STA. 306+01 TO STA. 549+61	STA. 306+14 TO STA. 550+04
MCLEAN COUNTY	MCLEAN COUNTY
FUNDING BREAKOUT:	90% FEDERAL, 10% STATE
CONSTRUCTION TYPE CODE:	0005

CODE NO.	ITEM	UNIT	TOTAL QUANTITY		
20400800	FURNISHED EXCAVATION	CU YD	3,330.0	1,500.0	1,830.0
25000210	SEEDING, CLASS 2A	ACRE	12.00	5.5	6.5
25000350	SEEDING, CLASS 7	ACRE	36.00	16.5	19.5
25000400	NITROGEN FERTILIZER NUTRIENT	POUND	1,080.0	490.0	590.0
25000500	PHOSPHORUS FERTILIZER NUTRIENT	POUND	1,080.0	490.0	590.0
25000600	POTASSIUM FERTILIZER NUTRIENT	POUND	1,080.0	490.0	590.0
25100115	MULCH, METHOD 2	ACRE	48.0	22.0	26.0
25100635	HEAVY DUTY EROSION CONTROL BLANKET	SQ YD	860.0	90.0	770.0
28000250	TEMPORARY EROSION CONTROL SEEDING	POUND	2,400.0	1,100.0	1,300.0
28000305	TEMPORARY DITCH CHECKS	FOOT	900.0	610.0	290.0
28000400	PERIMETER EROSION BARRIER	FOOT	2,023.0	845.0	1,178.0
28000500	INLET AND PIPE PROTECTION	EACH	16.0	8.5	7.5
40600100	BITUMINOUS MATERIALS (PRIME COAT)	GALLON	44,770.0	22,460.0	22,310.0
40600300	AGGREGATE (PRIME COAT)	TON	560.0	280.0	280.0

• DENOTES SPECIALTY ITEM

LOCATION OF WORK:

FAI 39	FAI 39
NORTHBOUND RURAL	SOUTHBOUND RURAL
INTERSTATE	INTERSTATE
STA. 306+01 TO STA. 549+61	STA. 306+14 TO STA. 550+04
MCLEAN COUNTY	MCLEAN COUNTY
FUNDING BREAKOUT: 90% FEDERAL, 10% STATE	90% FEDERAL, 10% STATE
CONSTRUCTION TYPE CODE: 0005	0005

CODE NO.	ITEM	UNIT	TOTAL QUANTITY		
40600985	PORTLAND CEMENT CONCRETE SURFACE REMOVAL - BUTT JOINT	SQ YD	3,360.0	1,640.0	1,720.0
40600990	TEMPORARY RAMP	SQ YD	3,970.0	1,980.0	1,990.0
40603243	POLYMERIZED HOT-MIX ASPHALT BINDER COURSE, IL-19.0, FG, N90	TON	17,220.0	8,640.0	8,580.0
40603545	POLYMERIZED HOT-MIX ASPHALT SURFACE COURSE, MIX "D", N90	TON	11,720.0	5,880.0	5,840.0
40800010	BITUMINOUS MATERIALS (PRIME COAT)	GALLON	30.0	15.0	15.0
40800030	AGGREGATE (PRIME COAT)	TON	1.0	0.5	0.5
40800050	INCIDENTAL HOT-MIX ASPHALT SURFACING	TON	60.0	30.0	30.0
44200549	CLASS A PATCHES, TYPE I, 10 INCH	SQ YD	240.0	150.0	90.0
44200553	CLASS A PATCHES, TYPE II, 10 INCH	SQ YD	270.0	170.0	100.0
44200557	CLASS A PATCHES, TYPE III, 10 INCH	SQ YD	40.0	40.0	0.0
44200559	CLASS A PATCHES, TYPE IV, 10 INCH	SQ YD	70.0	30.0	40.0
44201747	CLASS D PATCHES, TYPE IV, 8 INCH	SQ YD	80.0	80.0	0.0
44201761	CLASS D PATCHES, TYPE I, 10 INCH	SQ YD	30.0	10.0	20.0
44201765	CLASS D PATCHES, TYPE II, 10 INCH	SQ YD	310.0	170.0	140.0

14 • DENOTES SPECIALTY ITEM

LOCATION OF WORK:

FAI 39	FAI 39
NORTHBOUND RURAL	SOUTHBOUND RURAL
INTERSTATE	INTERSTATE
STA. 306+01 TO STA. 549+61	STA. 306+14 TO STA. 550+04
MCLEAN COUNTY	MCLEAN COUNTY
FUNDING BREAKOUT:	90% FEDERAL, 10% STATE
CONSTRUCTION TYPE CODE:	0005

CODE NO.	ITEM	UNIT	TOTAL QUANTITY		
44201769	CLASS D PATCHES, TYPE III, 10 INCH	SQ YD	50.0	30.0	20.0
44201771	CLASS D PATCHES, TYPE IV, 10 INCH	SQ YD	120.0	120.0	0.0
44213000	PATCHING REINFORCEMENT	SQ YD	610.0	380.0	230.0
44213200	SAW CUTS	FOOT	5,080.0	3,220.0	1,860.0
44213204	TIE BARS 3/4"	EACH	180.0	90.0	90.0
48101500	AGGREGATE SHOULDERS, TYPE B 6"	SQ YD	8,980.0	4,490.0	4,490.0
48203100	HOT-MIX ASPHALT SHOULDERS	TON	18,260.0	9,160.0	9,100.0
60300105	FRAME AND GRATES TO BE ADJUSTED	EACH	17.0	9.0	8.0
* 63000001	STEEL PLATE BEAM GUARDRAIL, TYPE A, 6 FOOT POSTS	FOOT	1,862.5	925.0	937.5
* 63000003	STEEL PLATE BEAM GUARDRAIL, TYPE A, 9 FOOT POSTS	FOOT	1,387.5	787.5	600.0
* 63100045	TRAFFIC BARRIER TERMINAL, TYPE 2	EACH	4.0	2.0	2.0
* 63100070	TRAFFIC BARRIER TERMINAL, TYPE 5	EACH	4.0	2.0	2.0
* 63100085	TRAFFIC BARRIER TERMINAL, TYPE 6	EACH	7.0	3.0	4.0
* 63100167	TRAFFIC BARRIER TERMINAL, TYPE 1 (SPECIAL) TANGENT	EACH	7.0	3.0	4.0
* DENOTES SPECIALTY ITEM					

LOCATION OF WORK:

FAI 39	FAI 39
NORTHBOUND RURAL	SOUTHBOUND RURAL
INTERSTATE	INTERSTATE
STA. 306+01 TO STA. 549+61	STA. 306+14 TO STA. 550+04
MCLEAN COUNTY	MCLEAN COUNTY
FUNDING BREAKOUT:	90% FEDERAL, 10% STATE
CONSTRUCTION TYPE CODE:	0005

CODE NO.	ITEM	UNIT	TOTAL QUANTITY		
63200310	GUARDRAIL REMOVAL	FOOT	4,250.0	1,780.0	2,470.0
63500105	DELINEATORS	EACH	230.0	120.0	110.0
64200116	SHOULDER RUMBLE STRIPS, 16 INCH	FOOT	87,190.0	43,430.0	43,760.0
64300260	IMPACT ATTENUATORS (FULLY REDIRECTIVE, NARROW), TEST LEVEL 3	EACH	1.0	0.5	0.5
67000400	ENGINEER'S FIELD OFFICE, TYPE A	CAL MO	6.0	3.0	3.0
67100100	MOBILIZATION	L SUM	1.0	0.5	0.5
70103815	TRAFFIC CONTROL SURVEILLANCE	CAL DA	5.0	2.5	2.5
70300100	SHORT TERM PAVEMENT MARKING	FOOT	17,580.0	8,780.0	8,800.0
70300220	TEMPORARY PAVEMENT MARKING - LINE 4"	FOOT	100,080.0	50,010.0	50,070.0
70300250	TEMPORARY PAVEMENT MARKING - LINE 8"	FOOT	6,280.0	3,430.0	2,850.0
70301000	WORK ZONE PAVEMENT MARKING REMOVAL	SO FT	44,440.0	22,400.0	22,040.0
* 78004210	PREFORMED PLASTIC PAVEMENT MARKING, TYPE B - INLAID - LINE 4"	FOOT	11,860.0	5,930.0	5,930.0
* 78009004	MODIFIED URETHANE PAVEMENT MARKING - LINE 4"	FOOT	100,080.0	50,010.0	50,070.0
* 78009008	MODIFIED URETHANE PAVEMENT MARKING - LINE 8"	FOOT	6,280.0	3,430.0	2,850.0
* DENOTES SPECIALTY ITEM					

LOCATION OF WORK:

FAI 39	FAI 39
NORTHBOUND RURAL	SOUTHBOUND RURAL
INTERSTATE	INTERSTATE
STA. 306+01 TO STA. 549+61	STA. 306+14 TO STA. 550+04
MCLEAN COUNTY	MCLEAN COUNTY
FUNDING BREAKOUT:	90% FEDERAL, 10% STATE
CONSTRUCTION TYPE CODE:	0005

CODE NO.	ITEM	UNIT	TOTAL QUANTITY		
* 78100100	RAISED REFLECTIVE PAVEMENT MARKER	EACH	1,410.0	710.0	700.0
* 78200410	GUARDRAIL MARKERS, TYPE A	EACH	31.0	16.0	15.0
* 78200530	BARRIER WALL MARKERS, TYPE C	EACH	10.0	3.0	7.0
* 78201000	TERMINAL MARKER - DIRECT APPLIED	EACH	7.0	3.0	4.0
78300100	PAVEMENT MARKING REMOVAL	SQ FT	140.0	70.0	70.0
78300200	RAISED REFLECTIVE PAVEMENT MARKER REMOVAL	EACH	1,410.0	710.0	700.0
X4400100	PORTLAND CEMENT CONCRETE SURFACE REMOVAL (VARIABLE DEPTH)	SQ YD	1,670.0	600.0	1,070.0
X6350120	DELINEATOR REMOVAL	EACH	260.0	130.0	130.0
X7010216	TRAFFIC CONTROL AND PROTECTION, (SPECIAL)	L SUM	1.0	0.5	0.5
X7010410	SPEED DISPLAY TRAILER	CAL MO	10.0	5.0	5.0
X7015005	CHANGEABLE MESSAGE SIGN	CAL DA	42.0	21.0	21.0
* X7830070	GROOVING FOR RECESSED PAVEMENT MARKING 5"	FOOT	100,080.0	50,010.0	50,070.0
* X7830076	GROOVING FOR RECESSED PAVEMENT MARKING 9"	FOOT	6,280.0	3,430.0	2,850.0
Z0012800	CONCRETE PAVEMENT SCARIFICATION	SQ YD	960.0	480.0	480.0
Z0013798	CONSTRUCTION LAYOUT	L SUM	1.0	0.5	0.5

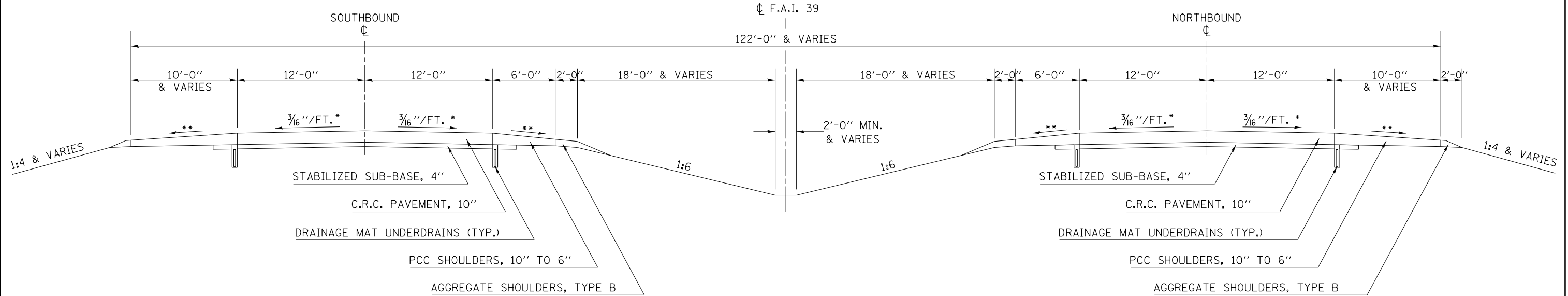
19 * DENOTES SPECIALTY ITEM

EXISTING TYPICAL SECTION F.A.I. 39

1

	STATION	TO	STATION
SB	306+14.00		306+35.80 (BK)
NB	306+01.00		306+35.80 (BK)
SB & NB	305+66.49 (AH)		377+24.54 (BK)
SB & NB	370+00.00 (AH)		511+11.00 ②

OMISSIONS FROM SECTION		STATION	TO	STATION
(SN 057-0205) SB		341+13.00		345+41.00
(SN 057-0206) NB		341+34.00		345+53.00

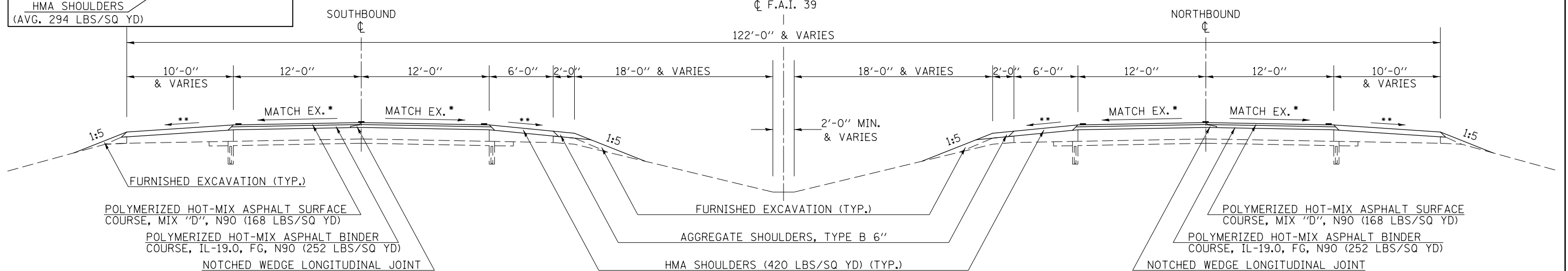
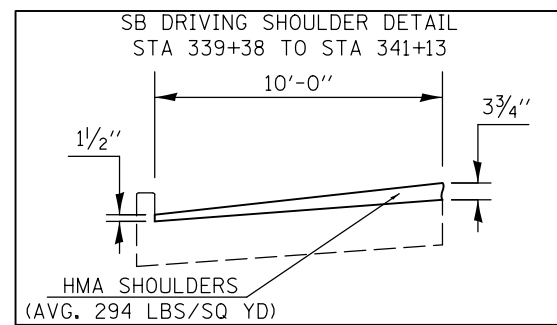


PROPOSED TYPICAL SECTION F.A.I. 39

1

	STATION	TO	STATION
SB	306+14.00		306+35.80 (BK)
NB	306+01.00		306+35.80 (BK)
SB & NB	305+66.49 (AH)		377+24.54 (BK)
SB & NB	370+00.00 (AH)		511+11.00 ②

OMISSIONS FROM SECTION		STATION	TO	STATION
(SN 057-0205) SB		341+13.00		345+41.00
(SN 057-0206) NB		341+34.00		345+53.00



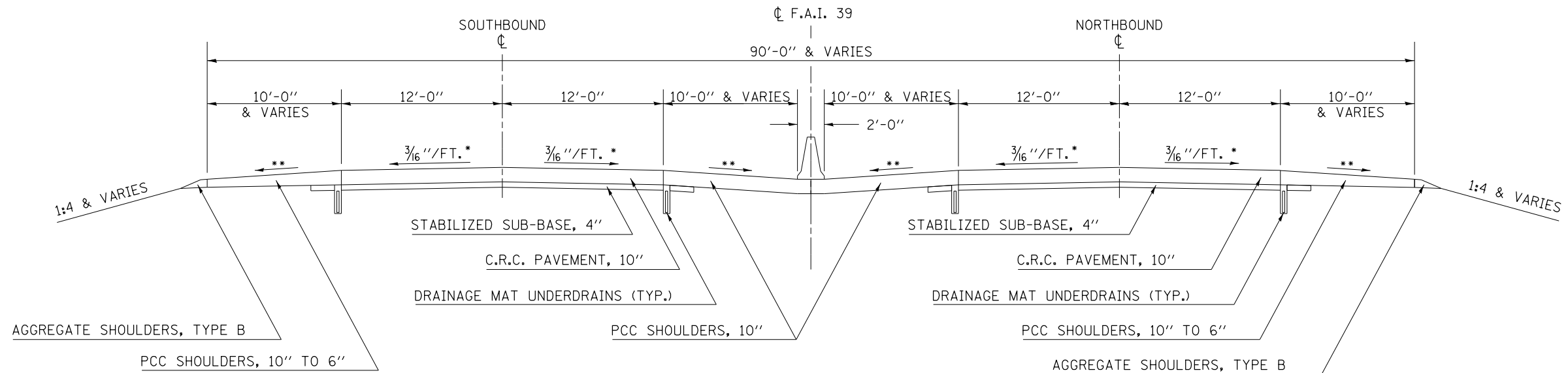
- * SLOPE VARIES FOR SUPERELEVATION IN CURVES
- ** SLOPE VARIES IN SUPERELEVATION WITH MAXIMUM OF 0.08 FT/FT DIFFERENCE

FILE NAME =	USER NAME = bergenej	DESIGNED -	REVISED -	STATE OF ILLINOIS DEPARTMENT OF TRANSPORTATION	TYPICAL SECTIONS		F.A.I. RTE.	SECTION	COUNTY	TOTAL SHEETS	SHEET NO.
ei:\pwork\pwork\bergenej\d0373914\057020-SHT-TYPICAL.dgn	PLOT SCALE = 40.0000' / in.	DRAWN -	REVISED -				39	(57-3,57-4)RS	MCLEAN	94	13
*MODELNAME#	PLOT DATE = 3/18/2014	CHECKED -	REVISED -		SCALE: SHEET 1 OF 3 SHEETS STA. TO STA.		CONTRACT NO. 70A20				
		DATE -	REVISED -		ILLINOIS FED. AID PROJECT						

EXISTING TYPICAL SECTION F.A.I. 39

2

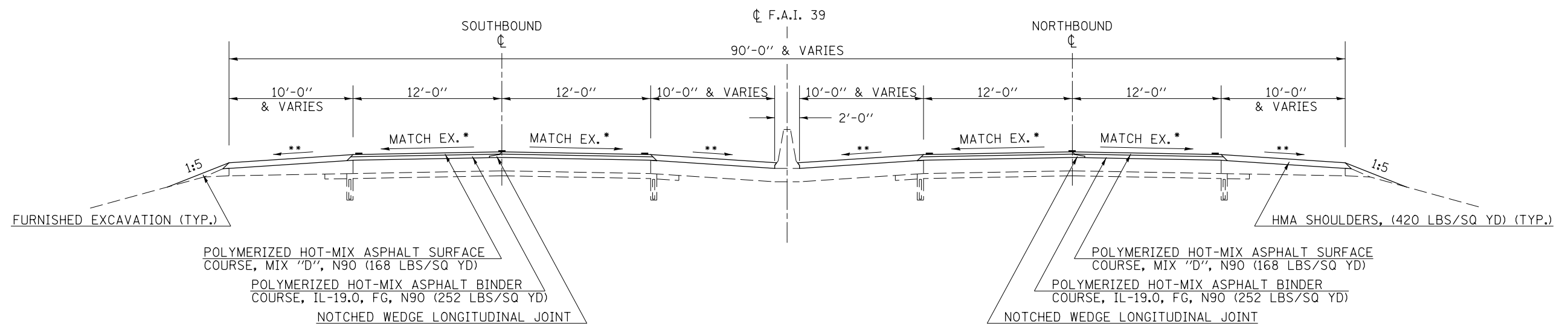
STATION TO STATION
 ① SB 511+11.00 TO 550+04.00
 ① NB 511+11.00 TO 549+61.00



PROPOSED TYPICAL SECTION F.A.I. 39

2

STATION TO STATION
 ① SB 511+11.00 TO 550+04.00
 ① NB 511+11.00 TO 549+61.00



* SLOPE VARIES FOR SUPERELEVATION IN CURVES

** SLOPE VARIES IN SUPERELEVATION WITH MAXIMUM OF 0.08 FT/FT DIFFERENCE

FILE NAME =	USER NAME = bergana.j	DESIGNED -	REVISED -	STATE OF ILLINOIS DEPARTMENT OF TRANSPORTATION	TYPICAL SECTIONS			F.A.I. RTE. 39	SECTION (57-3,57-4)RS	COUNTY MCLEAN	TOTAL SHEETS 94	SHEET NO. 14
et:\pwork\pwork\dot\bergana.j\d0373914\0570A20-SHT-TYPICAL.dgn		DRAWN -	REVISED -		SCALE:	SHEET 2 OF 3 SHEETS	STA.	TO STA.	CONTRACT NO. 70A20		ILLINOIS FED. AID PROJECT	
	PLOT SCALE = 40.0000' / in.	CHECKED -	REVISED -									
#MODELNAME#	PLOT DATE = 3/18/2014	DATE -	REVISED -									

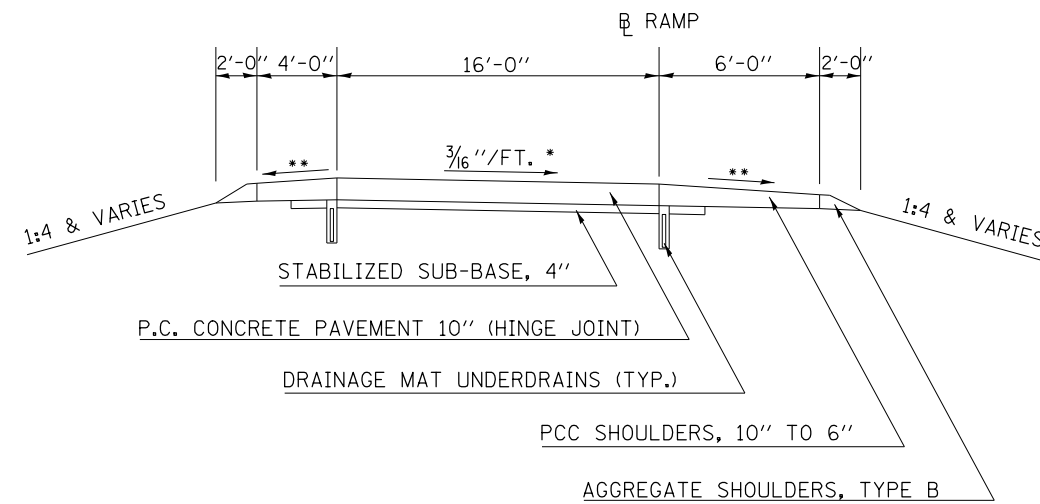
EXISTING TYPICAL SECTION F.A.I. 39 3

C.H. 12 INTERCHANGE RAMPS

RAMP	STATION	TO	STATION
RAMP A	0+00.00		7+70.00
RAMP B	11+68.00		27+47.27
RAMP C	0+00.00		7+73.00
RAMP D	10+38.00		23+95.61

C.H. 8 INTERCHANGE RAMPS

RAMP	STATION	TO	STATION
RAMP A	0+00.00		7+03.00
RAMP B	9+31.00		22+00.00
RAMP C	0+00.00		7+73.00
RAMP D	8+28.00		21+04.00



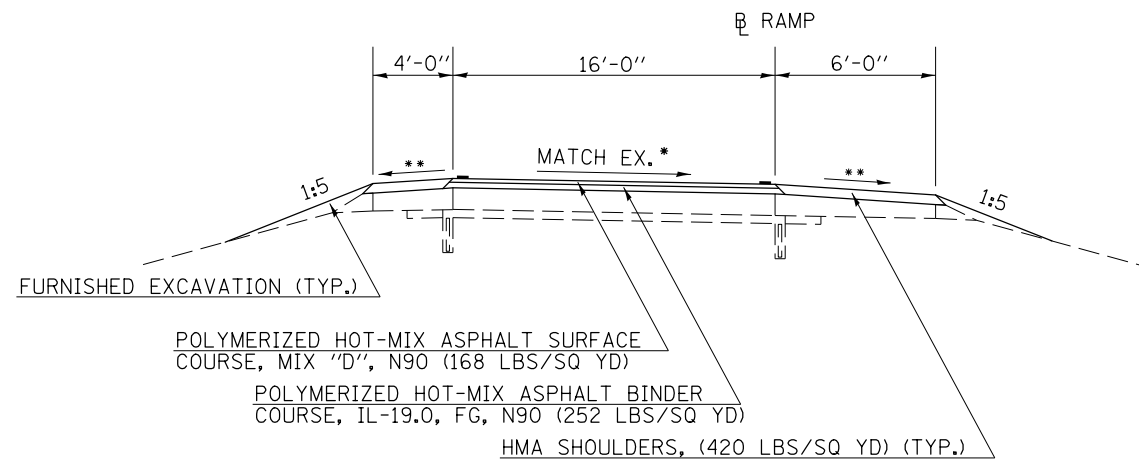
PROPOSED TYPICAL SECTION F.A.I. 39 3

C.H. 12 INTERCHANGE RAMPS

RAMP	STATION	TO	STATION
RAMP A	0+00.00		7+70.00
RAMP B	11+68.00		27+47.27
RAMP C	0+00.00		7+73.00
RAMP D	10+38.00		23+95.61

C.H. 8 INTERCHANGE RAMPS

RAMP	STATION	TO	STATION
RAMP A	0+00.00		7+03.00
RAMP B	9+31.00		22+00.00
RAMP C	0+00.00		7+73.00
RAMP D	8+28.00		21+04.00



* SLOPE VARIES FOR SUPERELEVATION IN CURVES

** SLOPE VARIES IN SUPERELEVATION WITH MAXIMUM OF 0.08 FT/FT DIFFERENCE

FILE NAME =	USER NAME = bergana.j	DESIGNED -	REVISED -	STATE OF ILLINOIS DEPARTMENT OF TRANSPORTATION	TYPICAL SECTIONS	F.A.I. RTE. 39	SECTION (57-3,57-4)RS	COUNTY MCLEAN	TOTAL SHEETS 94	SHEET NO. 15
et:\pwwork\pwwork\berganaj\0373914\057391420-SHT-TYPICAL.dgn		DRAWN -	REVISED -							
	PLOT SCALE = 40.0000' / in.	CHECKED -	REVISED -							
#MODELNAME#	PLOT DATE = 3/18/2014	DATE -	REVISED -		SCALE:	SHEET 3	OF 3 SHEETS	STA.	TO STA.	CONTRACT NO. 70A20
										ILLINOIS FED. AID PROJECT

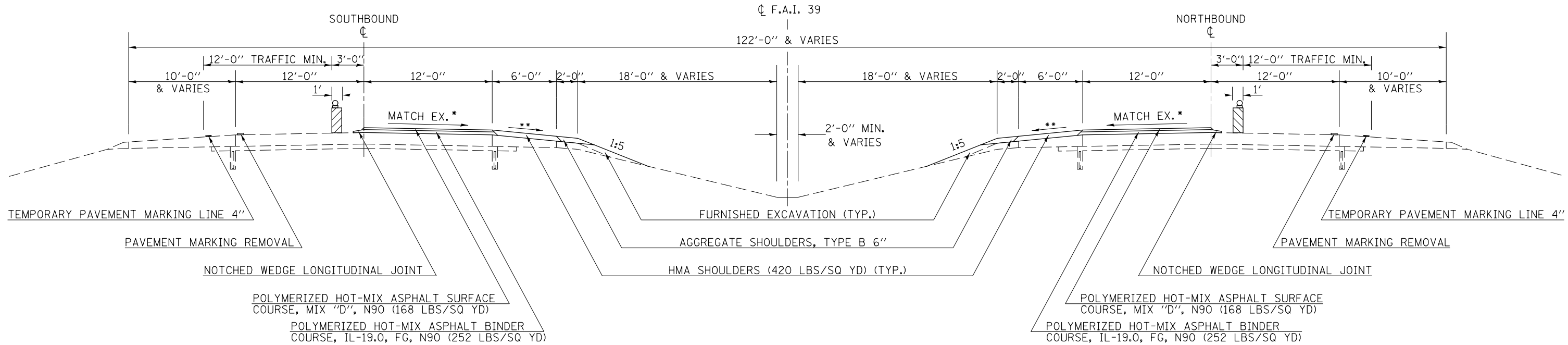
STAGE I RESURFACING F.A.I. 39

PASSING LANE CONSTRUCTION

STATION	TO	STATION
306+01.00		306+35.80 (BK)
305+66.57 (AH)		377+24.54 (BK)
370+00.00 (AH)		503+31.00
506+81.00		549+61.00

NOTES:

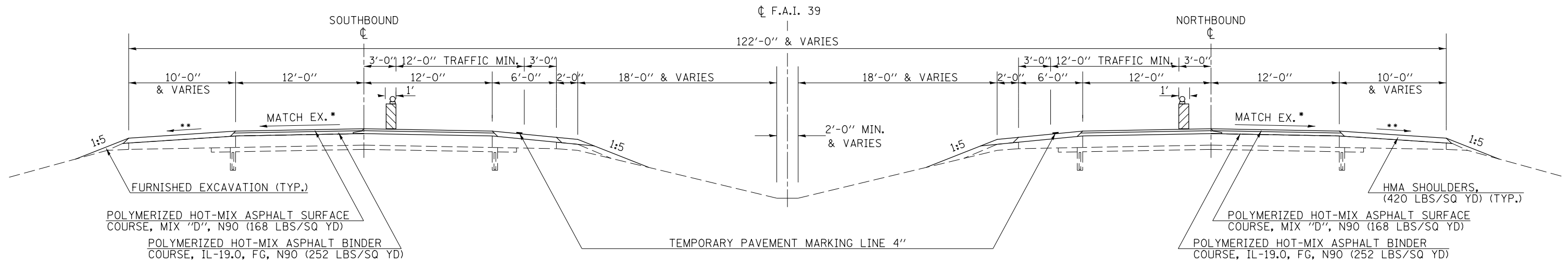
1. PATCH SHOULDER PRIOR TO STARTING CONSTRUCTION OF THE PASSING LANE (PRE-STAGE I)
2. UTILIZE TRAFFIC STANDARD 701401 SPECIAL



STAGE II RESURFACING F.A.I. 39

DRIVING LANE CONSTRUCTION

STATION	TO	STATION
306+01.00		306+35.80 (BK)
305+66.57 (AH)		377+24.54 (BK)
370+00.00 (AH)		503+31.00
506+81.00		549+61.00



* SLOPE VARIES FOR SUPERELEVATION IN CURVES

** SLOPE VARIES IN SUPERELEVATION WITH MAXIMUM OF 0.08 FT/FT DIFFERENCE

FILE NAME =	USER NAME = bergana.j	DESIGNED -	REVISED -	STATE OF ILLINOIS DEPARTMENT OF TRANSPORTATION	PROPOSED STAGING PLAN		F.A.I. RTE.	SECTION	COUNTY	TOTAL SHEETS	SHEET NO.
ei:\pwwork\pwwork\berganaj\0373914\057020-SHT-TYPICAL.dgn	DRAWN -	REVISED -	39				(57-3,57-4)RS	MCLEAN	94	16	
PLOT SCALE = 40.0000' / in.	CHECKED -	REVISED -	CONTRACT NO. 70A20								
*MODELNAME#	DATE -	REVISED -	SCALE:		SHEET 1 OF 1 SHEETS	STA.	TO STA.	ILLINOIS FED. AID PROJECT			

SCHEDULE OF QUANTITIES

HOT-MIX ASPHALT (SHEET 1 OF 4)

NORTHBOUND

		STATION	WIDTH AT LOCATION (FOOT)	TO	STATION	WIDTH AT LOCATION (FOOT)	LENGTH (FOOT)	AVERAGE WIDTH (FOOT)	AREA (SQ YD)	INSIDE SHOULDER WIDTH AT LOCATION (FOOT)	OUTSIDE SHOULDER WIDTH AT LOCATION (FOOT)	SHOULDER AREA (SQ YD)	BINDER THICKNESS (INCH)	SURFACE THICKNESS (INCH)	SHOULDER THICKNESS (INCH)	* BITUMINOUS MATERIALS (PRIME COAT) 40600100 (GALLON)	AGGREGATE (PRIME COAT) 40600300 (TON)	POLYMERIZED HOT-MIX ASPHALT BINDER COURSE, IL-19.0, FG, N90 40603243 (TON)	POLYMERIZED HOT-MIX ASPHALT SURFACE COURSE, MIX "D", N90 40603545 (TON)	HOT-MIX ASPHALT SHOULDERS 48203100 (TON)
OMISSION S.N. 057-0209	NB RURAL	303+47.00			306+01.00		254.00													
CLASS D PATCH	NB RURAL	306+01.00	24.0		306+07.00	24.0	6.00	24.0	16.0	6.0	10.0	10.7	0.00	0.00	0.00	0.0	0.0	0.0	0.0	0.0
TRANSITION	NB RURAL	306+07.00	24.0		306+35.80	24.0	28.80	24.0	76.8	6.0	10.0	51.2	0.00	1.50	1.50	12.8	0.2	0.0	6.5	4.3
STATION EQUATION	NB RURAL	306+35.80	BK		305+66.49	AH														
TRANSITION	NB RURAL	305+66.49	24.0		305+82.69	24.0	16.20	24.0	43.2	6.0	10.0	28.8	0.00	1.50	1.50	7.2	0.1	0.0	3.6	2.4
TRANSITION	NB RURAL	305+82.69	24.0		306+12.69	24.0	30.00	24.0	80.0	6.0	10.0	53.3	0.00	2.00	2.00	13.3	0.2	0.0	9.0	6.0
TRANSITION	NB RURAL	306+12.69	24.0		306+50.19	24.0	37.50	24.0	100.0	6.0	10.0	66.7	1.63	1.50	3.13	33.3	0.4	9.3	8.4	11.7
	NB RURAL	306+50.19	24.0		323+04.00	24.0	1,653.81	24.0	4,410.2	6.0	10.0	2,940.1	2.25	1.50	3.75	1,470.1	17.6	565.8	372.4	617.4
	NB RURAL	323+04.00	24.0		329+65.00	24.0	661.00	24.0	1,762.7	6.0	0.0	440.7	2.25	1.50	3.75	440.7	7.1	226.2	148.9	92.5
	NB RURAL	329+65.00	24.0		340+15.50	24.0	1,050.50	24.0	2,801.3	6.0	10.0	1,867.6	2.25	1.50	3.75	933.8	11.2	359.4	236.5	392.2
TRANSITION	NB RURAL	340+15.50	24.0		340+53.00	24.0	37.50	24.0	100.0	6.0	10.0	66.7	1.63	1.50	3.13	33.3	0.4	9.3	8.4	11.7
TRANSITION	NB RURAL	340+53.00	24.0		340+83.00	24.0	30.00	24.0	80.0	6.0	10.0	53.3	0.00	2.00	2.00	13.3	0.2	0.0	9.0	6.0
TRANSITION	NB RURAL	340+83.00	24.0		341+28.00	24.0	45.00	24.0	120.0	6.0	10.0	80.0	0.00	1.50	1.50	20.0	0.2	0.0	10.1	6.7
CLASS D PATCH	NB RURAL	341+28.00	24.0		341+34.00	24.0	6.00	24.0	16.0	6.0	10.0	10.7	0.00	0.00	0.00	0.0	0.0	0.0	0.0	0.0
OMISSION S.N. 057-0206	NB RURAL	341+34.00			345+53.00		419.00													
CLASS D PATCH	NB RURAL	345+53.00	24.0		345+59.00	24.0	6.00	24.0	16.0	6.0	10.0	10.7	0.00	0.00	0.00	0.0	0.0	0.0	0.0	0.0
TRANSITION	NB RURAL	345+59.00	24.0		346+04.00	24.0	45.00	24.0	120.0	6.0	10.0	80.0	0.00	1.50	1.50	20.0	0.2	0.0	10.1	6.7
TRANSITION	NB RURAL	346+04.00	24.0		346+34.00	24.0	30.00	24.0	80.0	6.0	10.0	53.3	0.00	2.00	2.00	13.3	0.2	0.0	9.0	6.0
TRANSITION	NB RURAL	346+34.00	24.0		346+71.50	24.0	37.50	24.0	100.0	6.0	10.0	66.7	1.63	1.50	3.13	33.3	0.4	9.3	8.4	11.7
	NB RURAL	346+71.50	24.0		355+52.00	24.0	880.50	24.0	2,348.0	6.0	10.0	1,565.3	2.25	1.50	3.75	782.7	9.4	301.2	198.3	328.7
	NB RURAL	355+52.00	24.0		370+13.00	24.0	1,461.00	24.0	3,896.0	6.0	0.0	974.0	2.25	1.50	3.75	974.0	15.6	499.9	329.0	204.5
	NB RURAL	370+13.00	24.0		377+24.54	24.0	711.54	24.0	1,897.4	6.0	10.0	1,265.0	2.25	1.50	3.75	632.5	7.6	243.4	160.2	265.6
STATION EQUATION	NB RURAL	377+24.54	BK		377+00.00	AH														
	NB RURAL	377+00.00	24.0		487+62.00	24.0	11,062.00	24.0	29,498.7	6.0	10.0	19,665.8	2.25	1.50	3.75	9,832.9	118.0	3,784.6	2,490.8	4,129.8
	NB RURAL	487+62.00	24.0		494+23.00	24.0	661.00	24.0	1,762.7	6.0	0.0	440.7	2.25	1.50	3.75	440.7	7.1	226.1	148.8	92.5
	NB RURAL	494+23.00	24.0		502+18.00	24.0	795.00	24.0	2,120.0	6.0	10.0	1,413.3	2.25	1.50	3.75	706.7	8.5	272.0	179.0	296.8
TRANSITION	NB RURAL	502+18.00	24.0		502+55.50	24.0	37.50	24.0	100.0	6.0	10.0	66.7	1.63	1.50	3.13	33.3	0.4	9.3	8.4	11.7
TRANSITION	NB RURAL	502+55.50	24.0		502+85.50	24.0	30.00	24.0	80.0	6.0	10.0	53.3	0.00	2.00	2.00	13.3	0.2	0.0	9.0	6.0
TRANSITION	NB RURAL	502+85.50	24.0		503+30.50	24.0	45.00	24.0	120.0	6.0	10.0	80.0	0.00	1.50	1.50	20.0	0.2	0.0	10.1	6.7
CLASS B PATCH	NB RURAL	503+30.50	24.0		506+80.50	24.0	350.00	24.0	933.3	6.0	10.0	622.2	0.00	0.00	0.00	0.0	0.0	0.0	0.0	0.0
TRANSITION	NB RURAL	506+80.50	24.0		507+25.50	24.0	45.00	24.0	120.0	6.0	10.0	80.0	0.00	1.50	1.50	20.0	0.2	0.0	10.1	6.7
TRANSITION	NB RURAL	507+25.50	24.0		507+55.50	24.0	30.00	24.0	80.0	6.0	10.0	53.3	0.00	2.00	2.00	13.3	0.2	0.0	9.0	6.0
TRANSITION	NB RURAL	507+55.50	24.0		507+93.00	24.0	37.50	24.0	100.0	6.0	10.0	66.7	1.63	1.50	3.13	33.3	0.4	9.3	8.4	11.7
	NB RURAL	507+93.00	24.0		511+11.00	24.0	318.00	24.0	848.0	6.0	10.0	565.3	2.25	1.50	3.75	282.7	3.4	108.8	71.6	118.7
	NB RURAL	511+11.00	24.0		514+45.00	24.0	334.00	24.0	890.7	16.2	10.0	972.3	2.25	1.50	3.75	372.6	3.6	114.3	75.2	204.2
	NB RURAL	514+45.00	24.0		515+50.00	24.0	105.00	24.0	280.0	11.2	0.0	130.7	2.25	1.50	3.75	82.1	1.1	35.9	23.6	27.4
	NB RURAL	515+50.00	24.0		526+04.00	24.0	1,054.00	24.0	2,810.7	10.0	0.0	1,171.1	2.25	1.50	3.75	796.4	11.2	360.6	237.3	245.9
	NB RURAL	526+04.00	24.0		548+42.50	24.0	2,238.50	24.0	5,969.3	10.0	10.0	4,974.4	2.25	1.50	3.75	2,188.8	23.9	765.8	504.0	1,044.6
TRANSITION	NB RURAL	548+42.50	24.0		548+80.00	24.0	37.50	24.0	100.0	10.0	10.0	83.3	1.63	1.50	3.13	36.7	0.4	9.3	8.4	14.6
TRANSITION	NB RURAL	548+80.00	24.0		549+10.00	24.0	30.00	24.0	80.0	10.0	10.0	66.7	0.00	2.00	2.00	14.7	0.2	0.0	9.0	7.5
TRANSITION	NB RURAL	549+10.00	24.0		549+55.00	24.0	45.00	24.0	120.0	10.0	10.0	100.0	0.00	1.50	1.50	22.0	0.2	0.0	10.1	8.4
CLASS D PATCH	NB RURAL	549+55.00	24.0		549+61.00	24.0	6.00	24.0	16.0	10.0	10.0	13.3	0.00	0.00	0.00	0.0	0.0	0.0	0.0	0.0
			BK			AH	0.00													
TOTALS:																20,343.1	250.2	7,919.8	5,340.6	8,213.3

* APPLICATION RATE FOR BITUMINOUS MATERIALS (PRIME COAT) IS 0.1 GAL/SQ YD FOR EACH COAT.

FILE NAME =	USER NAME = berganaj	DESIGNED -	REVISED -	STATE OF ILLINOIS DEPARTMENT OF TRANSPORTATION	SCHEDULE OF QUANTITIES					F.A.I. RTE.	SECTION	COUNTY	TOTAL SHEETS	SHEET NO.
es:\pw\work\p\dotted\berganaj\d0373914\057020-SHT-SCHEDULE.DGN	DRAWN -	REVISED -	39							(57-3,57-4)RS	MCLEAN	94	17	
PLOT SCALE = 40.0000' / in.	CHECKED -	REVISED -	CONTRACT NO. 70A20											
MODELNAME	DATE -	REVISED -	SCALE:							SHEET 1 OF 16 SHEETS		STA. TO STA.	ILLINOIS FED. AID PROJECT	

SCHEDULE OF QUANTITIES

HOT-MIX ASPHALT (SHEET 2 OF 4)

NORTHBOUND RAMPS

	STATION	WIDTH AT LOCATION (FOOT)	TO	STATION	WIDTH AT LOCATION (FOOT)	LENGTH (FOOT)	AVERAGE WIDTH (FOOT)	AREA (SQ YD)	INSIDE SHOULDER WIDTH AT LOCATION (FOOT)	OUTSIDE SHOULDER WIDTH AT LOCATION (FOOT)	SHOULDER AREA (SQ YD)	BINDER THICKNESS (INCH)	SURFACE THICKNESS (INCH)	SHOULDER THICKNESS (INCH)	* BITUMINOUS MATERIALS (PRIME COAT) 40600100 (GALLON)	AGGREGATE (PRIME COAT) 40600300 (TON)	POLYMERIZED HOT-MIX ASPHALT BINDER COURSE, IL-19.0, FG, N90 40603243 (TON)	POLYMERIZED HOT-MIX ASPHALT SURFACE COURSE, MIX "D", N90 40603545 (TON)	HOT-MIX ASPHALT SHOULDERS 48203100 (TON)	
NORTHBOUND C.H. 12 RAMPS																				
TRANSITION	C.H. 12 B	11+68.00	16.0	12+13.00	16.0	45.00	16.0	80.0	4.0	6.0	50.0	0.00	1.50	1.50	13.0	0.2	0.0	6.7	4.2	
TRANSITION	C.H. 12 B	12+13.00	16.0	12+43.00	16.0	30.00	16.0	53.3	4.0	6.0	33.3	0.00	2.00	2.00	8.7	0.1	0.0	6.0	3.7	
TRANSITION	C.H. 12 B	12+43.00	16.0	12+80.50	16.0	37.50	16.0	66.7	4.0	6.0	41.7	1.63	1.50	3.13	21.7	0.3	6.1	5.6	7.3	
	C.H. 12 B	12+80.50	16.0	18+97.00	16.0	616.50	16.0	1,096.0	0.0	6.0	411.0	2.25	1.50	3.75	301.4	4.4	138.1	92.1	86.3	
	C.H. 12 B	18+97.00	18.0	27+47.27	1.0	850.27	9.5	897.5	0.0	6.0	566.8	2.25	1.50	3.75	292.9	3.6	113.1	75.4	119.0	
	GORE	12+80.50	27.0	17+97.00	4.0	516.50	-	0.0	0.0	0.0	653.9	0.00	0.00	3.75	130.8	0.0	0.0	0.0	137.3	
	GORE	17+97.00	4.0	18+97.00	2.0	100.00	3.0	33.3	0.0	0.0	0.0	2.25	1.50	0.00	6.7	0.1	4.2	2.8	0.0	
	C.H. 12 C	0+00.00	1.0	2+97.00	17.0	297.00	9.0	297.0	0.0	6.0	198.0	2.25	1.50	3.75	99.0	1.2	37.4	24.9	41.6	
	C.H. 12 C	2+97.00	16.0	6+60.50	16.0	363.50	16.0	646.2	0.0	6.0	242.3	2.25	1.50	3.75	177.7	2.6	81.4	54.3	50.9	
TRANSITION	C.H. 12 C	6+60.50	16.0	6+98.00	16.0	37.50	16.0	66.7	4.0	6.0	41.7	1.63	1.50	3.13	21.7	0.3	6.1	5.6	7.3	
TRANSITION	C.H. 12 C	6+98.00	16.0	7+28.00	16.0	30.00	16.0	53.3	4.0	6.0	33.3	0.00	2.00	2.00	8.7	0.1	0.0	6.0	3.7	
TRANSITION	C.H. 12 C	7+28.00	16.0	7+73.00	16.0	45.00	16.0	80.0	4.0	6.0	50.0	0.00	1.50	1.50	13.0	0.2	0.0	6.7	4.2	
	GORE	2+97.00	1.0	3+97.00	6.0	100.00	3.5	38.9	0.0	0.0	0.0	2.25	1.50	0.00	7.8	0.2	4.9	3.3	0.0	
	GORE	3+97.00	6.0	6+60.50	19.0	263.50	-	0.0	0.0	0.0	364.3	0.00	0.00	3.75	72.9	0.0	0.0	0.0	76.5	
NORTHBOUND C.H. 8 RAMPS																				
TRANSITION	C.H. 8 B	9+31.00	16.0	9+76.00	16.0	45.00	16.0	80.0	4.0	6.0	50.0	0.00	1.50	1.50	13.0	0.2	0.0	6.7	4.2	
TRANSITION	C.H. 8 B	9+76.00	16.0	10+06.00	16.0	30.00	16.0	53.3	4.0	6.0	33.3	0.00	2.00	2.00	8.7	0.1	0.0	6.0	3.7	
TRANSITION	C.H. 8 B	10+06.00	16.0	10+43.50	16.0	37.50	16.0	66.7	4.0	6.0	41.7	1.63	1.50	3.13	21.7	0.3	6.1	5.6	7.3	
	C.H. 8 B	10+43.50	16.0	13+70.00	16.0	326.50	16.0	580.4	0.0	6.0	217.7	2.25	1.50	3.75	159.6	2.3	73.1	48.8	45.7	
	C.H. 8 B	13+70.00	18.0	22+00.00	1.0	830.00	9.5	876.1	0.0	6.0	553.3	2.25	1.50	3.75	285.9	3.5	110.4	73.6	116.2	
	GORE	10+43.50	27.0	12+70.00	4.0	226.50	-	0.0	0.0	0.0	202.4	0.00	0.00	3.75	40.5	0.0	0.0	0.0	42.5	
	GORE	12+70.00	4.0	13+70.00	2.0	100.00	3.0	33.3	0.0	0.0	0.0	2.25	1.50	0.00	6.7	0.1	4.2	2.8	0.0	
	C.H. 8 C	0+00.00	1.0	3+07.00	17.0	307.00	9.0	307.0	0.0	6.0	204.7	2.25	1.50	3.75	102.3	1.2	38.7	25.8	43.0	
	C.H. 8 C	3+07.00	16.0	6+60.50	16.0	353.50	16.0	628.4	0.0	6.0	235.7	2.25	1.50	3.75	172.8	2.5	79.2	52.8	49.5	
TRANSITION	C.H. 8 C	6+60.50	16.0	6+98.00	16.0	37.50	16.0	66.7	4.0	6.0	41.7	1.63	1.50	3.13	21.7	0.3	6.1	5.6	7.3	
TRANSITION	C.H. 8 C	6+98.00	16.0	7+28.00	16.0	30.00	16.0	53.3	4.0	6.0	33.3	0.00	2.00	2.00	8.7	0.1	0.0	6.0	3.7	
TRANSITION	C.H. 8 C	7+28.00	16.0	7+73.00	16.0	45.00	16.0	80.0	4.0	6.0	50.0	0.00	1.50	1.50	13.0	0.2	0.0	6.7	4.2	
	GORE	3+07.00	1.0	4+07.00	6.0	100.00	3.5	38.9	0.0	0.0	0.0	2.25	1.50	0.00	7.8	0.2	4.9	3.3	0.0	
	GORE	4+07.00	6.0	6+98.00	20.0	291.00	-	0.0	0.0	0.0	362.9	0.00	0.00	3.75	72.6	0.0	0.0	0.0	76.2	
															TOTALS:	2,111.0	24.3	714.0	533.1	945.5

* APPLICATION RATE FOR BITUMINOUS MATERIALS (PRIME COAT) IS 0.1 GAL/SQ YD FOR EACH COAT.

SCHEDULE OF QUANTITIES

HOT-MIX ASPHALT (SHEET 3 OF 4)

SOUTHBOUND

		STATION	WIDTH AT LOCATION (FOOT)	TO	STATION	WIDTH AT LOCATION (FOOT)	LENGTH (FOOT)	AVERAGE WIDTH (FOOT)	AREA (SQ YD)	INSIDE SHOULDER WIDTH AT LOCATION (FOOT)	OUTSIDE SHOULDER WIDTH AT LOCATION (FOOT)	SHOULDER AREA (SQ YD)	BINDER THICKNESS (INCH)	SURFACE THICKNESS (INCH)	SHOULDER THICKNESS (INCH)	* BITUMINOUS MATERIALS (PRIME COAT) 40600100 (GALLON)	AGGREGATE (PRIME COAT) 40600300 (TON)	POLYMERIZED HOT-MIX ASPHALT BINDER COURSE, IL-19.0, FG, N90 40603243 (TON)	POLYMERIZED HOT-MIX ASPHALT SURFACE COURSE, MIX "D", N90 40603545 (TON)	HOT-MIX ASPHALT SHOULDERS 48203100 (TON)	
OMISSION S.N. 057-0208	SB RURAL	303+34.00	24.0		306+14.00	24.0	280.00														
CLASS D PATCH	SB RURAL	306+14.00	24.0		306+20.00	24.0	6.00	24.0	16.0	6.0	10.0	10.7	0.00	0.00	0.00	0.0	0.0	0.0	0.0	0.0	0.0
TRANSITION	SB RURAL	306+20.00	24.0		306+35.80	24.0	15.80	24.0	42.1	6.0	10.0	28.1	0.00	1.50	1.50	7.0	0.1	0.0	3.6	2.4	
STATION EQUATION	SB RURAL	306+35.80	BK		305+66.49	AH															
TRANSITION	SB RURAL	305+66.49	24.0		305+95.69	24.0	29.20	24.0	77.9	6.0	10.0	51.9	0.00	1.50	1.50	13.0	0.2	0.0	6.6	4.4	
TRANSITION	SB RURAL	305+95.69	24.0		306+25.69	24.0	30.00	24.0	80.0	6.0	10.0	53.3	0.00	2.00	2.00	13.3	0.2	0.0	9.0	6.0	
TRANSITION	SB RURAL	306+25.69	24.0		306+63.19	24.0	37.50	24.0	100.0	6.0	10.0	66.7	1.63	1.50	3.13	33.3	0.4	9.3	8.4	11.7	
	SB RURAL	306+63.19	24.0		318+89.00	24.0	1,225.81	24.0	3,268.8	6.0	10.0	2,179.2	2.25	1.50	3.75	1,089.6	13.1	419.4	276.0	457.6	
	SB RURAL	318+89.00	24.0		331+35.00	24.0	1,246.00	24.0	3,322.7	6.0	0.0	830.7	2.25	1.50	3.75	830.7	13.3	426.3	280.6	174.4	
	SB RURAL	331+35.00	24.0		339+94.50	24.0	859.50	24.0	2,292.0	6.0	10.0	1,528.0	2.25	1.50	3.75	764.0	9.2	294.1	193.5	320.9	
TRANSITION	SB RURAL	339+94.50	24.0		340+32.00	24.0	37.50	24.0	100.0	6.0	10.0	66.7	1.63	1.50	3.13	33.3	0.4	9.3	8.4	11.7	
TRANSITION	SB RURAL	340+32.00	24.0		340+62.00	24.0	30.00	24.0	80.0	6.0	10.0	53.3	0.00	2.00	2.00	13.3	0.2	0.0	9.0	6.0	
TRANSITION	SB RURAL	340+62.00	24.0		341+07.00	24.0	45.00	24.0	120.0	6.0	10.0	80.0	0.00	1.50	1.50	20.0	0.2	0.0	10.1	6.7	
CLASS D PATCH	SB RURAL	341+07.00	24.0		341+13.00	24.0	6.00	24.0	16.0	6.0	10.0	10.7	0.00	0.00	0.00	0.0	0.0	0.0	0.0	0.0	
OMISSION S.N. 057-0205	SB RURAL	341+13.00			345+41.00		428.00														
CLASS D PATCH	SB RURAL	345+41.00	24.0		345+47.00	24.0	6.00	24.0	16.0	6.0	10.0	10.7	0.00	0.00	0.00	0.0	0.0	0.0	0.0	0.0	0.0
TRANSITION	SB RURAL	345+47.00	24.0		345+92.00	24.0	45.00	24.0	120.0	6.0	10.0	80.0	0.00	1.50	1.50	20.0	0.2	0.0	10.1	6.7	
TRANSITION	SB RURAL	345+92.00	24.0		346+22.00	24.0	30.00	24.0	80.0	6.0	10.0	53.3	0.00	2.00	2.00	13.3	0.2	0.0	9.0	6.0	
TRANSITION	SB RURAL	346+22.00	24.0		346+59.50	24.0	37.50	24.0	100.0	6.0	10.0	66.7	1.63	1.50	3.13	33.3	0.4	9.3	8.4	11.7	
	SB RURAL	346+59.50	24.0		359+46.00	24.0	1,286.50	24.0	3,430.7	6.0	10.0	2,287.1	2.25	1.50	3.75	1,143.6	13.7	440.1	289.7	480.3	
	SB RURAL	359+46.00	24.0		366+00.00	24.0	654.00	24.0	1,744.0	6.0	0.0	436.0	2.25	1.50	3.75	436.0	7.0	223.7	147.2	91.6	
	SB RURAL	366+00.00	24.0		377+24.54	24.0	1,124.54	24.0	2,998.8	6.0	10.0	1,999.2	2.25	1.50	3.75	999.6	12.0	384.7	253.2	419.8	
STATION EQUATION	SB RURAL	377+24.54	BK		377+00.00	AH															
	SB RURAL	377+00.00	24.0		485+14.00	24.0	10,814.00	24.0	28,837.3	6.0	10.0	19,224.9	2.25	1.50	3.75	9,612.4	115.3	3,699.7	2,435.0	4,037.2	
	SB RURAL	485+14.00	24.0		496+80.00	24.0	1,166.00	24.0	3,109.3	6.0	0.0	777.3	2.25	1.50	3.75	777.3	12.4	398.9	262.5	163.2	
	SB RURAL	496+80.00	24.0		502+18.00	24.0	538.00	24.0	1,434.7	6.0	10.0	956.4	2.25	1.50	3.75	478.2	5.7	184.1	121.1	200.9	
TRANSITION	SB RURAL	502+18.00	24.0		502+55.50	24.0	37.50	24.0	100.0	6.0	10.0	66.7	1.63	1.50	3.13	33.3	0.4	9.3	8.4	11.7	
TRANSITION	SB RURAL	502+55.50	24.0		502+85.50	24.0	30.00	24.0	80.0	6.0	10.0	53.3	0.00	2.00	2.00	13.3	0.2	0.0	9.0	6.0	
TRANSITION	SB RURAL	502+85.50	24.0		503+30.50	24.0	45.00	24.0	120.0	6.0	10.0	80.0	0.00	1.50	1.50	20.0	0.2	0.0	10.1	6.7	
CLASS B PATCH	SB RURAL	503+30.50	24.0		506+80.50	24.0	350.00	24.0	933.3	6.0	10.0	622.2	0.00	0.00	0.00	0.0	0.0	0.0	0.0	0.0	
TRANSITION	SB RURAL	506+80.50	24.0		507+25.50	24.0	45.00	24.0	120.0	6.0	10.0	80.0	0.00	1.50	1.50	20.0	0.2	0.0	10.1	6.7	
TRANSITION	SB RURAL	507+25.50	24.0		507+55.50	24.0	30.00	24.0	80.0	6.0	10.0	53.3	0.00	2.00	2.00	13.3	0.2	0.0	9.0	6.0	
TRANSITION	SB RURAL	507+55.50	24.0		507+93.00	24.0	37.50	24.0	100.0	6.0	10.0	66.7	1.63	1.50	3.13	33.3	0.4	9.3	8.4	11.7	
	SB RURAL	507+93.00	24.0		511+11.00	24.0	318.00	24.0	848.0	6.0	10.0	565.3	2.25	1.50	3.75	282.7	3.4	108.8	71.6	118.7	
	SB RURAL	511+11.00	24.0		515+50.00	24.0	439.00	24.0	1,170.7	15.0	10.0	1,219.4	2.25	1.50	3.75	478.0	4.7	150.2	98.8	256.1	
	SB RURAL	515+50.00	24.0		519+31.00	24.0	381.00	24.0	1,016.0	10.0	10.0	846.7	2.25	1.50	3.75	372.5	4.1	130.3	85.8	177.8	
	SB RURAL	519+31.00	24.0		525+22.00	24.0	591.00	24.0	1,576.0	10.0	0.0	656.7	2.25	1.50	3.75	446.5	6.3	202.2	133.1	137.9	
	SB RURAL	525+22.00	24.0		548+85.50	24.0	2,363.50	24.0	6,302.7	10.0	10.0	5,252.2	2.25	1.50	3.75	2,311.0	25.2	808.6	532.2	1,103.0	
TRANSITION	SB RURAL	548+85.50	24.0		549+23.00	24.0	37.50	24.0	100.0	10.0	10.0	83.3	1.63	1.50	3.13	36.7	0.4	9.3	8.4	14.6	
TRANSITION	SB RURAL	549+23.00	24.0		549+53.00	24.0	30.00	24.0	80.0	10.0	10.0	66.7	0.00	2.00	2.00	14.7	0.2	0.0	9.0	7.5	
TRANSITION	SB RURAL	549+53.00	24.0		549+98.00	24.0	45.00	24.0	120.0	10.0	10.0	100.0	0.00	1.50	1.50	22.0	0.2	0.0	10.1	8.4	
CLASS D PATCH	SB RURAL	549+98.00	24.0		550+04.00	24.0	6.00	24.0	16.0	10.0	10.0	13.3	0.00	0.00	0.00	0.0	0.0	0.0	0.0	0.0	
			BK			AH	0.00														
TOTALS:																20,428.5	250.3	7,926.9	5,345.4	8,292.0	

* APPLICATION RATE FOR BITUMINOUS MATERIALS (PRIME COAT) IS 0.1 GAL/SQ YD FOR EACH COAT.

FILE NAME =	USER NAME = bergana_j	DESIGNED -	REVISED -	STATE OF ILLINOIS DEPARTMENT OF TRANSPORTATION	SCHEDULE OF QUANTITIES	F.A.I. RTE.	SECTION	COUNTY	TOTAL SHEETS	SHEET NO.	
ci:\pw\work\p1dot\bergana_j\0373914\057020-SHT-SCHEDULE.DGN		DRAWN -	REVISED -			39	(57-3,57-4)RS	MCLEAN	94	19	
PLOT SCALE = 40.0000' / in.		CHECKED -	REVISED -			CONTRACT NO. 70A20					
\$MODELNAME\$		DATE -	REVISED -			SCALE:	SHEET 3 OF 16 SHEETS	STA.	TO STA.	ILLINOIS FED. AID PROJECT	

SCHEDULE OF QUANTITIES

HOT-MIX ASPHALT (SHEET 4 OF 4)

SOUTHBOUND RAMPS

	STATION	WIDTH AT LOCATION (FOOT)	TO	STATION	WIDTH AT LOCATION (FOOT)	LENGTH (FOOT)	AVERAGE WIDTH (FOOT)	AREA (SQ YD)	INSIDE SHOULDER WIDTH AT LOCATION (FOOT)	OUTSIDE SHOULDER WIDTH AT LOCATION (FOOT)	SHOULDER AREA (SQ YD)	BINDER THICKNESS (INCH)	SURFACE THICKNESS (INCH)	SHOULDER THICKNESS (INCH)	* BITUMINOUS MATERIALS (PRIME COAT) 40600100 (GALLON)	AGGREGATE (PRIME COAT) 40600300 (TON)	POLYMERIZED HOT-MIX ASPHALT BINDER COURSE, IL-19.0, FG, N90 40603243 (TON)	POLYMERIZED HOT-MIX ASPHALT SURFACE COURSE, MIX "D", N90 40603545 (TON)	HOT-MIX ASPHALT SHOULDERS 48203100 (TON)	
SOUTHBOUND C.H. 12 RAMPS																				
	C.H. 12 A	0+00.00		3+28.00	17.0	328.00	9.0	328.0	0.0	6.0	218.7	2.25	1.50	3.75	109.3	1.3	41.3	27.6	45.9	
	C.H. 12 A	3+28.00		6+57.50	16.0	329.50	16.0	585.8	0.0	6.0	219.7	2.25	1.50	3.75	161.1	2.3	73.8	49.2	46.1	
TRANSITION	C.H. 12 A	6+57.50		6+95.00	16.0	37.50	16.0	66.7	4.0	6.0	41.7	1.63	1.50	3.13	21.7	0.3	6.1	5.6	7.3	
TRANSITION	C.H. 12 A	6+95.00		7+25.00	16.0	30.00	16.0	53.3	4.0	6.0	33.3	0.00	2.00	2.00	8.7	0.1	0.0	6.0	3.7	
TRANSITION	C.H. 12 A	7+25.00		7+70.00	16.0	45.00	16.0	80.0	4.0	6.0	50.0	0.00	1.50	1.50	13.0	0.2	0.0	6.7	4.2	
	GORE	3+28.00		4+28.00	7.0	100.00	4.0	44.4	0.0	0.0	0.0	2.25	1.50	0.00	8.9	0.2	5.6	3.7	0.0	
	GORE	4+28.00		6+57.50	20.0	229.50	-	0.0	0.0	0.0	351.7	0.00	0.00	3.75	70.3	0.0	0.0	0.0	73.9	
TRANSITION	C.H. 12 D	10+38.00		10+83.00	16.0	45.00	16.0	80.0	4.0	6.0	50.0	0.00	1.50	1.50	13.0	0.2	0.0	6.7	4.2	
TRANSITION	C.H. 12 D	10+83.00		11+13.00	16.0	30.00	16.0	53.3	4.0	6.0	33.3	0.00	2.00	2.00	8.7	0.1	0.0	6.0	3.7	
	C.H. 12 D	11+13.00		11+50.50	16.0	37.50	16.0	66.7	4.0	6.0	41.7	1.63	1.50	3.13	21.7	0.3	6.1	5.6	7.3	
	C.H. 12 D	11+50.50		16+58.00	16.0	507.50	16.0	902.2	0.0	6.0	338.3	2.25	1.50	3.75	248.1	3.6	113.7	75.8	71.1	
	C.H. 12 D	16+58.00		23+95.61	1.0	737.61	9.5	778.6	0.0	6.0	491.7	2.25	1.50	3.75	254.1	3.1	98.1	65.4	103.3	
	GORE	11+50.50		15+58.00	2.0	407.50	-	0.0	0.0	0.0	340.0	0.00	0.00	3.75	68.0	0.0	0.0	0.0	71.4	
	GORE	15+58.00		16+58.00	2.0	100.00	2.0	22.2	0.0	0.0	0.0	2.25	1.50	0.00	4.4	0.1	2.8	1.9	0.0	
SOUTHBOUND C.H. 8 RAMPS																				
	C.H. 8 A	0+00.00		3+02.00	17.0	302.00	9.0	302.0	0.0	6.0	201.3	2.25	1.50	3.75	100.7	1.2	38.1	25.4	42.3	
	C.H. 8 A	3+02.00		5+90.50	16.0	288.50	16.0	512.9	0.0	6.0	192.3	2.25	1.50	3.75	141.0	2.1	64.6	43.1	40.4	
TRANSITION	C.H. 8 A	5+90.50		6+28.00	16.0	37.50	16.0	66.7	4.0	6.0	41.7	1.63	1.50	3.13	21.7	0.3	6.1	5.6	7.3	
TRANSITION	C.H. 8 A	6+28.00		6+58.00	16.0	30.00	16.0	53.3	4.0	6.0	33.3	0.00	2.00	2.00	8.7	0.1	0.0	6.0	3.7	
TRANSITION	C.H. 8 A	6+58.00		7+03.00	16.0	45.00	16.0	80.0	4.0	6.0	50.0	0.00	1.50	1.50	13.0	0.2	0.0	6.7	4.2	
	GORE	3+02.00		4+02.00	6.0	100.00	3.5	38.9	0.0	0.0	0.0	2.25	1.50	0.00	7.8	0.2	4.9	3.3	0.0	
	GORE	4+02.00		5+90.50	20.0	188.50	-	0.0	0.0	0.0	235.0	0.00	0.00	3.75	47.0	0.0	0.0	0.0	49.3	
TRANSITION	C.H. 8 D	8+28.00		8+73.00	16.0	45.00	16.0	80.0	4.0	6.0	50.0	0.00	1.50	1.50	13.0	0.2	0.0	6.7	4.2	
TRANSITION	C.H. 8 D	8+73.00		9+03.00	16.0	30.00	16.0	53.3	4.0	6.0	33.3	0.00	2.00	2.00	8.7	0.1	0.0	6.0	3.7	
TRANSITION	C.H. 8 D	9+03.00		9+40.50	16.0	37.50	16.0	66.7	4.0	6.0	41.7	1.63	1.50	3.13	21.7	0.3	6.1	5.6	7.3	
	C.H. 8 D	9+40.50		12+34.00	16.0	293.50	16.0	521.8	0.0	6.0	195.7	2.25	1.50	3.75	143.5	2.1	65.7	43.8	41.1	
	C.H. 8 D	12+34.00		21+04.00	1.0	870.00	9.5	918.3	0.0	6.0	580.0	2.25	1.50	3.75	299.7	3.7	115.7	77.1	121.8	
	GORE	9+40.50		11+34.00	2.0	193.50	-	0.0	0.0	0.0	169.1	0.00	0.00	3.75	33.8	0.0	0.0	0.0	35.5	
	GORE	11+34.00		12+34.00	2.0	100.00	2.0	22.2	0.0	0.0	0.0	2.25	1.50	0.00	4.4	0.1	2.8	1.9	0.0	
															TOTALS:	1,875.7	22.4	651.5	491.4	802.9

* APPLICATION RATE FOR BITUMINOUS MATERIALS (PRIME COAT) IS 0.1 GAL/SQ YD FOR EACH COAT.

SUMMARY

	BITUMINOUS MATERIALS (PRIME COAT) 40600100 (GALLON)	AGGREGATE (PRIME COAT) 40600300 (TON)	POLYMERIZED HOT-MIX ASPHALT BINDER COURSE, IL-19.0, FG, N90 40603243 (TON)	POLYMERIZED HOT-MIX ASPHALT SURFACE COURSE, MIX "D", N90 40603545 (TON)	HOT-MIX ASPHALT SHOULDERS 48203100 (TON)
NB RURAL TOTAL:	22,454.1	274.5	8,633.8	5,873.7	9,158.8
NB RURAL ROUNDED:	22,460.0	280.0	8,640.0	5,880.0	9,160.0
SB RURAL TOTAL:	22,304.2	272.7	8,578.4	5,836.8	9,094.9
SB RURAL ROUNDED:	22,310.0	280.0	8,580.0	5,840.0	9,100.0
TOTAL:	44,770.0	560.0	17,220.0	11,720.0	18,260.0

INCIDENTAL HOT-MIX ASPHALT

LOCATION	STATION	AREA (SQ YD)	THICKNESS (IN)	BITUMINOUS MATERIALS (PRIME COAT) 40800010 (GALLONS)	AGGREGATE (PRIME COAT) 40800030 (TONS)	INCIDENTAL HMA SURFACING 40800050 (TONS)
MEDIAN CROSSOVER	432+40.17	264.8	3.75	26.5	0.5	55.6
ROUNDED TOTAL:				30.0	1.0	60.0

SCHEDULE OF QUANTITIES

TEMPORARY RAMPS

NORTHBOUND

	LOCATION	TO	LOCATION	THICKNESS (IN)	LENGTH (FOOT)	WIDTH (FOOT)	AREA (SQ YD)	TEMPORARY RAMP 40600990 (SQ YD)	
NORTHBOUND									
STR	303+47.00		306+01.00			SN 057-0209			
NB	306+07.00		306+12.00	1.50	5.00	24.0	13.3	13.3	
NB	306+09.36		306+12.69	1.00	3.33	40.0	14.8	14.8	
NB	340+53.00		340+56.33	1.00	3.33	40.0	14.8	14.8	
NB	341+23.00		341+28.00	1.50	5.00	40.0	22.2	22.2	
STR	341+34.00		345+53.00			SN 057-0206			
NB	345+59.00		345+64.00	1.50	5.00	40.0	22.2	22.2	
NB	346+30.67		346+34.00	1.00	3.33	40.0	14.8	14.8	
NB	502+56.00		502+59.33	1.00	3.33	40.0	14.8	14.8	
NB	503+26.00		503+31.00	1.50	5.00	40.0	22.2	22.2	
STR	503+31.00		506+81.00			OVERHEAD SN 057-0204			
NB	506+81.00		506+86.00	1.50	5.00	40.0	22.2	22.2	
NB	507+52.67		507+56.00	1.00	3.33	40.0	14.8	14.8	
NB	548+80.00		548+83.33	1.00	3.33	40.0	14.8	14.8	
NB	549+50.00		549+55.00	1.50	5.00	40.0	22.2	22.2	
STR	549+61.00					SN 057-0203			
CH 12 RAMP B									
B	11+68.00		11+73.00	1.50	5.00	26.0	14.4	14.4	
B	12+39.67		12+43.00	1.00	3.33	26.0	9.6	9.6	
NB	362+00.00		364+00.00	2.25	200.00	7.5	166.7	166.7	
NB	365+00.00		367+00.00	2.25	200.00	7.5	166.7	166.7	
NB	362+00.00		364+00.00	1.50	200.00	5.0	111.1	111.1	
NB	365+00.00		367+00.00	1.50	200.00	5.0	111.1	111.1	
CH 12 RAMP C									
C	7+68.00		7+73.00	1.50	5.00	26.0	14.4	14.4	
C	6+98.00		7+01.33	1.00	3.33	26.0	9.6	9.6	
NB	323+00.00		324+00.00	2.25	100.00	7.5	83.3	83.3	
NB	325+00.00		326+00.00	2.25	100.00	7.5	83.3	83.3	
NB	323+00.00		324+00.00	1.50	100.00	5.0	55.6	55.6	
NB	325+00.00		326+00.00	1.50	100.00	5.0	55.6	55.6	
CH 8 RAMP B									
B	9+31.00		9+36.00	1.50	5.00	26.0	14.4	14.4	
B	10+02.67		10+06.00	1.00	3.33	26.0	9.6	9.6	
NB	518+00.00		520+00.00	2.25	200.00	7.5	166.7	166.7	
NB	521+00.00		523+00.00	2.25	200.00	7.5	166.7	166.7	
NB	518+00.00		520+00.00	1.50	200.00	5.0	111.1	111.1	
NB	521+00.00		523+00.00	1.50	200.00	5.0	111.1	111.1	
CH 8 RAMP C									
C	7+68.00		7+73.00	1.50	5.00	26.0	14.4	14.4	
C	6+98.00		7+01.33	1.00	3.33	26.0	9.6	9.6	
NB	488+00.00		489+00.00	2.25	100.00	7.5	83.3	83.3	
NB	490+00.00		491+00.00	2.25	100.00	7.5	83.3	83.3	
NB	488+00.00		489+00.00	1.50	100.00	5.0	55.6	55.6	
NB	490+00.00		491+00.00	1.50	100.00	5.0	55.6	55.6	
								NB TOTAL:	1,976.3
								NB ROUNDED:	1,980.0

SOUTHBOUND

	LOCATION	TO	LOCATION	THICKNESS (IN)	LENGTH (FOOT)	WIDTH (FEET)	AREA (SQ YD)	TEMPORARY RAMP 40600990 (SQ YD)	
SOUTHBOUND									
STR	303+34.00		306+14.00			SN 057-0208			
SB	306+20.00		306+25.00	1.50	5.00	40.0	22.2	22.2	
SB	306+22.36		306+25.69	1.00	3.33	40.0	14.8	14.8	
SB	340+32.00		340+35.33	1.00	3.33	40.0	14.8	14.8	
SB	341+02.00		341+07.00	1.50	5.00	40.0	22.2	22.2	
STR	341+13.00		345+41.00			SN 057-0205			
SB	345+47.00		345+52.00	1.50	5.00	40.0	22.2	22.2	
SB	346+18.67		346+22.00	1.00	3.33	40.0	14.8	14.8	
SB	502+56.00		502+59.33	1.00	3.33	40.0	14.8	14.8	
SB	503+26.00		503+31.00	1.50	5.00	40.0	22.2	22.2	
STR	503+31.00		506+81.00			OVERHEAD SN 057-0204			
SB	506+81.00		506+86.00	1.50	5.00	40.0	22.2	22.2	
SB	507+52.67		507+56.00	1.00	3.33	40.0	14.8	14.8	
SB	549+23.00		549+26.33	1.00	3.33	40.0	14.8	14.8	
SB	549+93.00		549+98.00	1.50	5.00	40.0	22.2	22.2	
STR	550+04.00					SN 057-0203			
CH 12 RAMP A									
A	7+65.00		7+70.00	1.50	5.00	26.0	14.4	14.4	
A	6+95.00		6+98.33	1.00	3.33	26.0	9.6	9.6	
SB	363+00.00		364+00.00	2.25	100.00	7.5	83.3	83.3	
SB	365+00.00		366+00.00	2.25	100.00	7.5	83.3	83.3	
SB	363+00.00		364+00.00	1.50	100.00	5.0	55.6	55.6	
SB	365+00.00		366+00.00	1.50	100.00	5.0	55.6	55.6	
CH 12 RAMP D									
D	10+38.00		10+43.00	1.50	5.00	26.0	14.4	14.4	
D	11+09.67		11+13.00	1.00	3.33	26.0	9.6	9.6	
SB	321+00.00		323+00.00	2.25	200.00	7.5	166.7	166.7	
SB	324+00.00		326+00.00	2.25	200.00	7.5	166.7	166.7	
SB	321+00.00		323+00.00	1.50	200.00	5.0	111.1	111.1	
SB	324+00.00		326+00.00	1.50	200.00	5.0	111.1	111.1	
CH 8 RAMP A									
A	6+98.00		7+03.00	1.50	5.00	26.0	14.4	14.4	
A	6+28.00		6+31.33	1.00	3.33	26.0	9.6	9.6	
SB	522+00.00		523+00.00	2.25	100.00	7.5	83.3	83.3	
SB	524+00.00		525+00.00	2.25	100.00	7.5	83.3	83.3	
SB	522+00.00		523+00.00	1.50	100.00	5.0	55.6	55.6	
SB	524+00.00		525+00.00	1.50	100.00	5.0	55.6	55.6	
CH 8 RAMP D									
D	8+28.00		8+33.00	1.50	5.00	26.0	14.4	14.4	
D	8+99.67		9+03.00	1.00	3.33	26.0	9.6	9.6	
SB	492+00.00		494+00.00	2.25	200.00	7.5	166.7	166.7	
SB	489+00.00		491+00.00	2.25	200.00	7.5	166.7	166.7	
SB	492+00.00		494+00.00	1.50	200.00	5.0	111.1	111.1	
SB	489+00.00		491+00.00	1.50	200.00	5.0	111.1	111.1	
								SB TOTAL:	1,985.2
								SB ROUNDED:	1,990.0

SCHEDULE OF QUANTITIES

PAVEMENT MARKING (SHEET 1 OF 2)

PAVEMENT MARKING, LINE 4" NORTHBOUND

LOCATION	STATION	TO	STATION	LENGTH (FOOT)	PREFORMED PLASTIC # OF WHITE STRIPES	MODIFIED URETHANE # OF WHITE STRIPES	MODIFIED URETHANE # OF YELLOW STRIPES	PREFORMED PLASTIC PAVEMENT MARKING, TYPE B - INLAID - LINE 4" 78004210 (FEET)		MODIFIED URETHANE PAVEMENT MARKING, 4" 78009004 (FEET)	
								WHITE	YELLOW	WHITE	YELLOW
								NB RURAL	306+01.00		306+35.80
	306+35.80 BK		305+66.49 AH								
NB RURAL	305+66.49		323+04.00	1,737.5	0.25	1.00	1.00	434.4	0.0	1,737.5	1,737.5
NB RURAL	323+04.00		329+65.00	661.0	0.25	0.00	1.00	165.3	0.0	0.0	661.0
NB RURAL	329+65.00		341+34.00	1,169.0	0.25	1.00	1.00	292.3	0.0	1,169.0	1,169.0
NB RURAL	341+34.00		345+53.00	419.0	0.00	1.25	1.00	0.0	0.0	523.8	419.0
NB RURAL	345+53.00		355+52.00	999.0	0.25	1.00	1.00	249.8	0.0	999.0	999.0
NB RURAL	355+52.00		370+13.00	1,461.0	0.25	0.00	1.00	365.3	0.0	0.0	1,461.0
NB RURAL	370+13.00		377+24.54	711.5	0.25	1.00	1.00	177.9	0.0	711.5	711.5
	377+24.54 BK		377+00.00 AH								
NB RURAL	377+00.00		487+62.00	11,062.0	0.25	1.00	1.00	2,765.5	0.0	11,062.0	11,062.0
NB RURAL	487+62.00		494+23.00	661.0	0.25	0.00	1.00	165.3	0.0	0.0	661.0
NB RURAL	494+23.00		503+31.00	908.0	0.25	1.00	1.00	227.0	0.0	908.0	908.0
NB RURAL	503+31.00		506+81.00	350.0	0.00	1.25	1.00	0.0	0.0	437.5	350.0
NB RURAL	506+81.00		514+45.00	764.0	0.25	1.00	1.00	191.0	0.0	764.0	764.0
NB RURAL	514+45.00		526+04.00	1,159.0	0.25	0.00	1.00	289.8	0.0	0.0	1,159.0
NB RURAL	526+04.00		549+61.00	2,357.0	0.25	1.00	1.00	589.3	0.0	2,357.0	2,357.0
								WHITE	YELLOW	WHITE	YELLOW
NB MAINLINE RURAL:								5,921.6	0.0	20,704.1	24,453.8
NB MAINLINE RURAL TOTAL:								5,921.6		45,157.9	

PAVEMENT MARKING, LINE 4" SOUTHBOUND

LOCATION	STATION	TO	STATION	LENGTH (FOOT)	PREFORMED PLASTIC # OF WHITE STRIPES	MODIFIED URETHANE # OF WHITE STRIPES	MODIFIED URETHANE # OF YELLOW STRIPES	PREFORMED PLASTIC PAVEMENT MARKING, TYPE B - INLAID - LINE 4" 78004210 (FEET)		MODIFIED URETHANE PAVEMENT MARKING, 4" 78009004 (FEET)	
								WHITE	YELLOW	WHITE	YELLOW
								SB RURAL	306+14.00		306+35.80
	306+35.80 BK		305+66.49 AH								
SB RURAL	305+66.49		318+89.00	1,322.5	0.25	1.00	1.00	330.6	0.0	1,322.5	1,322.5
SB RURAL	318+89.00		331+35.00	1,246.0	0.25	0.00	1.00	311.5	0.0	0.0	1,246.0
SB RURAL	331+35.00		341+13.00	978.0	0.25	1.00	1.00	244.5	0.0	978.0	978.0
SB RURAL	341+13.00		345+41.00	428.0	0.00	1.25	1.00	0.0	0.0	535.0	428.0
SB RURAL	345+41.00		359+46.00	1,405.0	0.25	1.00	1.00	351.3	0.0	1,405.0	1,405.0
SB RURAL	359+46.00		366+00.00	654.0	0.25	0.00	1.00	163.5	0.0	0.0	654.0
SB RURAL	366+00.00		377+24.54	1,124.5	0.25	1.00	1.00	281.1	0.0	1,124.5	1,124.5
	377+24.54 BK		377+00.00 AH								
SB RURAL	377+00.00		485+14.00	10,814.0	0.25	1.00	1.00	2,703.5	0.0	10,814.0	10,814.0
SB RURAL	485+14.00		496+80.00	1,166.0	0.25	0.00	1.00	291.5	0.0	0.0	1,166.0
SB RURAL	496+80.00		503+31.00	651.0	0.25	1.00	1.00	162.8	0.0	651.0	651.0
SB RURAL	503+31.00		506+81.00	350.0	0.00	1.25	1.00	0.0	0.0	437.5	350.0
SB RURAL	506+81.00		519+31.00	1,250.0	0.25	1.00	1.00	312.5	0.0	1,250.0	1,250.0
SB RURAL	519+31.00		525+22.00	591.0	0.25	0.00	1.00	147.8	0.0	0.0	591.0
SB RURAL	525+22.00		550+04.00	2,482.0	0.25	1.00	1.00	620.5	0.0	2,482.0	2,482.0
								WHITE	YELLOW	WHITE	YELLOW
SB MAINLINE RURAL:								5,926.5	0.0	21,021.3	24,483.8
SB MAINLINE RURAL TOTAL:								5,926.5		45,505.1	

PAVEMENT MARKING, LINE 4" NORTHBOUND RAMPS

STATION	TO	STATION	LENGTH (FOOT)	# OF WHITE STRIPES	# OF YELLOW STRIPES	MODIFIED URETHANE PAVEMENT MARKING, 4" 78009004 (FEET)	
						WHITE	YELLOW
						11+68.00	
12+80.50		27+47.27	1,466.8	1.00	0.00	1,466.8	0.0
0+00.00		6+60.50	660.5	1.00	0.00	660.5	0.0
6+60.50		7+73.00	112.5	1.00	1.00	112.5	112.5
9+31.00		10+43.50	112.5	1.00	1.00	112.5	112.5
10+43.50		22+00.00	1,156.5	1.00	0.00	1,156.5	0.0
0+00.00		6+60.50	660.5	1.00	0.00	660.5	0.0
6+60.50		7+73.00	112.5	1.00	1.00	112.5	112.5
						WHITE	YELLOW
NB RURAL RAMPS:						4,394.3	450.0
NB RURAL RAMPS TOTAL:						4,844.3	

PAVEMENT MARKING, LINE 4" SOUTHBOUND RAMPS

STATION	TO	STATION	LENGTH (FOOT)	# OF WHITE STRIPES	# OF YELLOW STRIPES	MODIFIED URETHANE PAVEMENT MARKING, 4" 78009004 (FEET)	
						WHITE	YELLOW
						0+00.00	
6+57.50		7+70.00	112.5	1.00	1.00	112.5	112.5
10+38.00		11+50.50	112.5	1.00	1.00	112.5	112.5
11+50.50		23+95.61	1,245.1	1.00	0.00	1,245.1	0.0
0+00.00		5+90.50	590.5	1.00	0.00	590.5	0.0
5+90.50		7+03.00	112.5	1.00	1.00	112.5	112.5
8+28.00		9+40.50	112.5	1.00	1.00	112.5	112.5
9+40.50		21+04.00	1,163.5	1.00	0.00	1,163.5	0.0
						WHITE	YELLOW
SB RURAL RAMPS:						4,106.6	450.0
SB RURAL RAMPS TOTAL:						4,556.6	

PAVEMENT MARKING, LINE 4" SUMMARY

	PREFORMED PLASTIC PAVEMENT MARKING, TYPE B - INLAID - LINE 4" 78004210 (FEET)	MODIFIED URETHANE PAVEMENT MARKING, 4" 78009004 (FEET)
NB MAINLINE RURAL TOTAL:	5,921.6	45,157.9
NB RURAL RAMPS TOTAL:	0.0	4,844.3
NB ROUNDED TOTAL:	5,930.0	50,010.0
SB MAINLINE RURAL TOTAL:	5,926.5	45,505.1
SB RURAL RAMPS TOTAL:	0.0	4,556.6
SB ROUNDED TOTAL:	5,930.0	50,070.0

SCHEDULE OF QUANTITIES

PAVEMENT MARKING (SHEET 2 OF 2)

MODIFIED URETHANE PAVEMENT MARKING, LINE 8"

LOCATION	STATION	TO	STATION	# OF WHITE STRIPES	# OF YELLOW STRIPES	LENGTH (FOOT)	MODIFIED URETHANE PAVEMENT MARKING, 8" 78009008 (FEET)	
							WHITE	YELLOW
NB RURAL RAMPS:								
CH 12 RAMP C	326+00.00		329+65.00	2	0	365.0	730.0	0.0
CH 12 RAMP B	355+52.00		361+62.00	2	0	610.0	1,220.0	0.0
CH 8 RAMP C	490+70.00		494+23.00	2	0	353.0	706.0	0.0
CH 8 RAMP B	514+45.00		518+28.00	2	0	383.0	766.0	0.0
SB RURAL RAMPS:								
CH 12 RAMP D	326+27.00		331+35.00	2	0	508.0	1,016.0	0.0
CH 12 RAMP A	359+46.00		362+76.00	2	0	330.0	660.0	0.0
CH 8 RAMP D	493+84.00		496+80.00	2	0	296.0	592.0	0.0
CH 8 RAMP A	519+31.00		522+20.00	2	0	289.0	578.0	0.0
							WHITE	YELLOW
SUB TOTAL NB RURAL:							3,422.0	0.0
NB TOTAL:							3,422.0	
NB ROUNDED TOTAL:							3,430.0	
SUB TOTAL SB RURAL:							2,846.0	0.0
SB TOTAL:							2,846.0	
SB ROUNDED TOTAL:							2,850.0	

SCHEDULE OF QUANTITIES

EARTH EXCAVATION

LOCATION	EARTH EXCAVATION 20200100 (CU YD)	EARTH EXCAVATION ADJUSTED FOR SHRINKAGE (CU YD)	EMBANKMENT (CU YD)	EARTHWORK BALANCE WASTE(+) OR SHORTAGE (-) (CU YD)	FURNISHED EXCAVATION 20400800 (CU YD)	
RURAL SECTION						
NORTHBOUND:						
I-39 NB LEFT STA. 305+37.00 - 377+00.00	0.0	0.0	289.5	-289.5	289.5	
I-39 NB LEFT STA. 377+00.00 - 549+61.00	0.0	0.0	697.3	-697.3	697.3	
I-39 NB RIGHT STA. 305+19.00 - 377+00.00	0.0	0.0	131.4	-131.4	131.4	
I-39 NB RIGHT STA. 377+00.00 - 549+61.00	0.0	0.0	315.9	-315.9	315.9	
CH 12 RAMP B LEFT	0.0	0.0	0.9	-0.9	0.9	
CH 12 RAMP B RIGHT	0.0	0.0	44.3	-44.3	44.3	
CH 12 RAMP C LEFT	0.0	0.0	0.3	-0.3	0.3	
CH 12 RAMP C RIGHT	0.0	0.0	16.6	-16.6	16.6	
SOUTHBOUND:						
I-39 SB LEFT STA. 305+67.00 - 377+00.00	0.0	0.0	267.3	-267.3	267.3	
I-39 SB LEFT STA. 377+00.00 - 550+04.00	0.0	0.0	648.9	-648.9	648.9	
I-39 SB RIGHT STA. 305+47.00 - 377+00.00	0.0	0.0	249.1	-249.1	249.1	
I-39 SB RIGHT STA. 377+00.00 - 550+04.00	0.0	0.0	602.2	-602.2	602.2	
CH 12 RAMP A LEFT	0.0	0.0	17.1	-17.1	17.1	
CH 12 RAMP A RIGHT	0.0	0.0	0.0	0.0	0.0	
CH 12 RAMP D LEFT	0.0	0.0	41.0	-41.0	41.0	
CH 12 RAMP D RIGHT	0.0	0.0	0.7	-0.7	0.7	
						ROUND TO:
NB RURAL:	0.0	0.0	1496.2	-1496.2	1496.2	1500.0
SB RURAL:	0.0	0.0	1826.3	-1826.3	1826.3	1830.0
GRAND TOTAL:	0.0	0.0	3322.5	-3322.5	3322.5	
ROUNDED TOTAL:	0.0	0.0	3330.0	-3330.0	3330.0	3330.0

NOTES:

1. THE SHRINKAGE FACTOR USED IS 25%.
2. SHRINKAGE, EMBANKMENT, AND BALANCE IS FOR INFORMATION ONLY.
3. NO PAYMENT WILL BE ALLOWED FOR OVERHAUL
4. EXCAVATION REQUIRED FOR PCC BASE COURSE, FULL DEPTH BITUMINOUS PAVEMENT, BITUMINOUS SHOULDERS, BITUMINOUS BASE COURSE AND AGGREGATE SHOULDER IS MEASURED AND PAID FOR AS EARTH EXCAVATION

CHANGEABLE MESSAGE SIGN

LOCATION	CHANGEABLE MESSAGE SIGN X7015005 (CALENDAR DAYS)	
	NB RURAL	SB RURAL
I-39 SB START:		7
I-39 NB START:	7	
CH 12 RAMP B:	7	
CH 12 RAMP D:		7
CH 8 RAMP B:	7	
CH 8 RAMP D:		7
TOTAL:	21	21
TOTAL:	42	

FRAMES AND GRATES TO BE ADJUSTED

LOCATION	STATION	OFFSET		FRAMES AND GRATES TO BE ADJUSTED 60300105 (EACH)	
NB RURAL	CH 12 RAMP B GORE	358+56.00	55.4'	RT	1
NB RURAL	CH 8 RAMP B GORE	515+66.00	39.2'	RT	1
NB RURAL	MEDIAN	516+00.00	2.6'	RT	1
NB RURAL	MEDIAN	521+00.00	2.6'	RT	1
NB RURAL	MEDIAN	526+00.00	2.6'	RT	1
NB RURAL	MEDIAN	531+00.00	2.6'	RT	1
NB RURAL	MEDIAN	536+50.00	2.6'	RT	1
NB RURAL	MEDIAN	542+00.00	2.6'	RT	1
NB RURAL	MEDIAN	547+00.00	2.6'	RT	1
SB RURAL	CH 12 RAMP D GORE	328+94.00	53.5'	LT	1
SB RURAL	CH 12 RAMP A GORE	360+15.00	61.4'	LT	1
SB RURAL	MEDIAN	516+00.00	2.6'	LT	1
SB RURAL	MEDIAN	521+00.00	2.6'	LT	1
SB RURAL	CH 8 RAMP A GORE	521+00.00	38.8'	LT	1
SB RURAL	MEDIAN	526+00.00	2.6'	LT	1
SB RURAL	MEDIAN	531+00.00	2.6'	LT	1
SB RURAL	MEDIAN	536+50.00	2.6'	LT	1
					NB RURAL: 9
					SB RURAL: 8
					TOTAL: 17

SCHEDULE OF QUANTITIES

REMOVAL

PCC/HMA SURFACE REMOVAL – BUTT JOINT

LOCATION	TO	LOCATION	THICKNESS (IN)	LENGTH (FOOT)	WIDTH (FEET)	AREA (SQ YD)	PORTLAND CEMENT CONCRETE SURFACE REMOVAL - BUTT JOINT 40600985 (SQ YD)	
NORTHBOUND								
NB RURAL	306+07.00	306+35.80	1.50	28.80	24.0	76.8	76.8	
STATION EQUATION	306+35.80	305+66.49						
NB RURAL	305+66.49	305+82.69	1.50	16.20	24.0	43.2	43.2	
NB RURAL	340+83.00	341+28.00	1.50	45.00	40.0	200.0	200.0	
NB RURAL	345+59.00	346+04.00	1.50	45.00	40.0	200.0	200.0	
NB RURAL	502+86.00	503+31.00	1.50	45.00	40.0	200.0	200.0	
NB RURAL	506+81.00	507+26.00	1.50	45.00	40.0	200.0	200.0	
NB RURAL	549+10.00	549+55.00	1.50	45.00	40.0	200.0	200.0	
C.H. 12 RAMP B	11+68.00	12+13.00	1.50	45.00	26.0	130.0	130.0	
C.H. 12 RAMP C	7+28.00	7+73.00	1.50	45.00	26.0	130.0	130.0	
C.H. 8 RAMP B	9+31.00	9+76.00	1.50	45.00	26.0	130.0	130.0	
C.H. 8 RAMP C	7+28.00	7+73.00	1.50	45.00	26.0	130.0	130.0	
SOUTHBOUND								
SB RURAL	306+20.00	306+35.80	1.50	15.80	40.0	70.2	70.2	
STATION EQUATION	306+35.80	305+66.49						
SB RURAL	305+66.49	305+95.69	1.50	29.20	40.0	129.8	129.8	
SB RURAL	340+62.00	341+07.00	1.50	45.00	40.0	200.0	200.0	
SB RURAL	345+47.00	345+92.00	1.50	45.00	40.0	200.0	200.0	
SB RURAL	502+86.00	503+31.00	1.50	45.00	40.0	200.0	200.0	
SB RURAL	506+81.00	507+26.00	1.50	45.00	40.0	200.0	200.0	
SB RURAL	549+53.00	549+98.00	1.50	45.00	40.0	200.0	200.0	
C.H. 12 RAMP A	7+25.00	7+70.00	1.50	45.00	26.0	130.0	130.0	
C.H. 12 RAMP D	10+38.00	10+83.00	1.50	45.00	26.0	130.0	130.0	
C.H. 8 RAMP A	6+58.00	7+03.00	1.50	45.00	26.0	130.0	130.0	
C.H. 8 RAMP D	8+28.00	8+73.00	1.50	45.00	26.0	130.0	130.0	
							NB RURAL:	1640.0
							SB RURAL:	1720.0
							TOTAL:	3360.0
							ROUNDED:	3360.0

GUARDRAIL REMOVAL

LOCATION	TO	LOCATION	LENGTH (FOOT)	GUARDRAIL REMOVAL 63200310 (FOOT)	
NORTHBOUND					
NB RURAL	RT	305+03.00	306+35.80	BK 132.80	
NB RURAL	RT	305+66.49	AH 305+76.00	9.51	
NB RURAL	RT	335+17.00	342+80.00	763.00	
NB RURAL	LT	339+30.00	342+71.00	341.00	
NB RURAL	RT	344+17.00	345+76.00	159.00	
NB RURAL	RT	547+02.00	550+69.00	367.00	
SOUTHBOUND					
SB RURAL	RT	305+32.00	306+35.80	BK 103.80	
SB RURAL	RT	305+66.49	AH 308+03.00	236.51	
SB RURAL	LT	305+47.00	306+35.80	BK 88.80	
SB RURAL	LT	305+66.49	AH 308+56.00	289.51	
SB RURAL	LT	337+60.00	342+51.00	491.00	
SB RURAL	LT	343+95.00	348+42.00	447.00	
SB RURAL	RT	344+03.00	347+41.00	338.00	
SB RURAL	LT	546+81.00	551+48.00	467.00	
				NB TOTAL:	1,772.31
				SB TOTAL:	2,461.62
				ROUNDED:	4,250.00

PCC SURFACE REMOVAL – VARIABLE DEPTH

LOCATION	STATION	TO	STATION	SHOULDER WIDTH AT LOCATION (FT)	LENGTH (FOOT)	WIDTH (FEET)	AREA (SQ YD)	PORTLAND CEMENT CONCRETE SURFACE REMOVAL (VARIABLE DEPTH) X4400100 (SQ YD)
NORTHBOUND								
NB DL SHOULDER	338+28.00		341+28.00	10.0	300.00	6.0	200.0	200.0
NB PL SHOULDER	345+59.00		347+59.00	6.00	200.00	6.0	133.3	133.3
NB DL SHOULDER	356+00.00		357+00.00	10.00	100.00	6.0	66.7	66.7
NB PL SHOULDER	546+55.00		549+55.00	6.00	300.00	6.0	200.0	200.0
SOUTHBOUND								
SB DL SHOULDER	336+07.00		341+07.00	10.00	500.00	6.0	333.3	333.3
SB DL SHOULDER	345+47.00		350+47.00	10.00	500.00	6.0	333.3	333.3
SB PL SHOULDER	345+47.00		347+47.00	6.00	200.00	6.0	133.3	133.3
SB DL SHOULDER	370+00.00		372+00.00	10.00	200.00	6.0	133.3	133.3
SB DL SHOULDER	548+98.00		549+98.00	10.00	100.00	6.0	66.7	66.7
SB PL SHOULDER	548+98.00		549+98.00	6.00	100.00	6.0	66.7	66.7
							NB RURAL:	600.0
							SB RURAL:	1066.7
							TOTAL:	1666.7
							ROUNDED:	1670.0

PAVEMENT MARKING REMOVAL

STATION	TO	STATION	# OF WHITE STRIPES	# OF YELLOW STRIPES	LENGTH (FOOT)	STRIPE WIDTH (IN)	PAVEMENT MARKING REMOVAL 78300100 (SQ FT)	
NORTHBOUND								
SN 057-0206 NB RURAL CL	341+34.00		345+53.00	0.25	0.00	419.0	4 34.9 0.0	
NB RURAL CL	503+31.00		506+81.00	0.25	0.00	350.0	4 29.2 0.0	
SOUTHBOUND								
SN 057-0205 SB RURAL CL	341+13.00		345+41.00	0.25	0.00	428.0	4 35.7 0.0	
NB RURAL CL	503+31.00		506+81.00	0.25	0.00	350.0	4 29.2 0.0	
							NB RURAL TOTAL:	64.1
							NB RURAL ROUNDED:	70.0
							SB RURAL TOTAL:	64.9
							SB RURAL ROUNDED:	70.0
							TOTAL:	140.0

SCHEDULE OF QUANTITIES

GUARDRAIL NORTHBOUND

		LOCATION	TO	LOCATION		LENGTH (FOOT)	STEEL PLATE BEAM GUARDRAIL TYPE A, 6 FOOT POSTS 63000001 (FOOT)	STEEL PLATE BEAM GUARDRAIL TYPE A, 9 FOOT POSTS 63000003 (FOOT)	TRAFFIC BARRIER TERMINAL, TYPE 2 63100045 (EACH)	TRAFFIC BARRIER TERMINAL, TYPE 5 63100070 (EACH)	TRAFFIC BARRIER TERMINAL, TYPE 6 63100085 (EACH)	TRAFFIC BARRIER TERMINAL, TYPE 1 (SPECIAL) TANGENT 63100167 (EACH)	IMPACT ATTENUATORS (FULLY REDIRECTIVE, NARROW), TEST LEVEL 3 64300260 (EACH)	GUARDRAIL MARKER, TYPE A 78200410 (EACH)	BARRIER WALL MARKERS, TYPE C 78200530 (EACH)	TERMINAL MARKER - DIRECT APPLIED 78201000 (EACH)	
NB RURAL	RT	305+18.09		305+32.76		14.67				1.0							
NB RURAL	RT	305+32.76		306+35.80	BK	137.50	137.5							0.0	0.0		
NB RURAL	RT	305+66.49	AH	306+01.94													
NB RURAL	RT	306+01.94		306+14.44		12.50			1.0								
NB RURAL	LT	339+63.22		340+13.22		50.00						1.0					1.0
NB RURAL	LT	340+13.22		342+12.88		200.00	200.0							3.0	2.0		
NB RURAL	LT	342+12.88		342+56.03		43.15				1.0							
NB RURAL	RT	335+35.80		335+85.80		50.00						1.0					1.0
NB RURAL	RT	335+85.80		342+22.09		637.50		637.5						6.0	1.0		
NB RURAL	RT	342+22.09		342+65.24		43.15				1.0							
NB RURAL	RT	344+30.36		344+45.03		14.67				1.0							
NB RURAL	RT	344+45.03		345+91.26		150.00		150.0						2.0	0.0		
NB RURAL	RT	345+91.26		346+03.76		12.50			1.0								
NB RURAL		511+23.00		511+46.00		23.00							0.5				
NB RURAL	RT	543+95.00		544+45.00		50.00						1.0		5.0	0.0		1.0
NB RURAL	RT	544+45.00		550+25.85		587.50	587.5										
NB RURAL	RT	550+25.85		550+69.00		43.15				1.0							
TOTALS:							925.0	787.5	2.0	2.0	3.0	3.0	0.5	16.0	3.0	3.0	

SOUTHBOUND

		LOCATION	TO	LOCATION		LENGTH (FOOT)	STEEL PLATE BEAM GUARDRAIL TYPE A, 6 FOOT POSTS 63000001 (FOOT)	STEEL PLATE BEAM GUARDRAIL TYPE A, 9 FOOT POSTS 63000003 (FOOT)	TRAFFIC BARRIER TERMINAL, TYPE 2 63100045 (EACH)	TRAFFIC BARRIER TERMINAL, TYPE 5 63100070 (EACH)	TRAFFIC BARRIER TERMINAL, TYPE 6 63100085 (EACH)	TRAFFIC BARRIER TERMINAL, TYPE 1 (SPECIAL) TANGENT 63100167 (EACH)	IMPACT ATTENUATORS (FULLY REDIRECTIVE, NARROW), TEST LEVEL 3 64300260 (EACH)	GUARDRAIL MARKER, TYPE A 78200410 (EACH)	BARRIER WALL MARKERS, TYPE C 78200530 (EACH)	TERMINAL MARKER - DIRECT APPLIED 78201000 (EACH)	
SB RURAL	RT	305+47.05		305+90.20		43.15											
SB RURAL	RT	305+90.20		306+35.80	BK	212.50	212.5							3.0	2.0		
SB RURAL	RT	305+66.49	AH	307+33.14													
SB RURAL	RT	307+33.14		307+83.14		50.00						1.0					1.0
SB RURAL	LT	305+62.07		306+05.22		43.15					1.0						
SB RURAL	LT	306+05.22		306+35.80	BK	137.50	137.5							2.0	2.0		
SB RURAL	LT	305+66.49	AH	306+72.80													
SB RURAL	LT	306+72.80		307+22.80		50.00						1.0					1.0
SB RURAL	LT	344+08.24		344+51.39		43.15					1.0						
SB RURAL	LT	344+51.39		346+57.85		200.00		200.0						4.0	1.0		
SB RURAL	LT	346+57.85		347+07.85		50.00					1.0						
SB RURAL	RT	344+15.62		344+58.77		43.15					1.0						
SB RURAL	RT	344+58.77		345+97.88		137.50		137.5						3.0	2.0		
SB RURAL	RT	345+97.88		346+47.88		50.00						1.0					
SB RURAL	LT	338+08.01		338+20.51		12.50			1.0								
SB RURAL	LT	338+20.51		342+21.07		400.00		400.0						2.0	0.0		
SB RURAL	LT	342+21.07		342+35.74		14.67				1.0							
SB RURAL		511+23.00		511+46.00		23.00							0.5				
SB RURAL	LT	546+72.00		546+84.50		12.50			1.0								
SB RURAL	LT	546+84.50		551+39.33		450.00	450.0							1.0	0.0		
SB RURAL	LT	551+39.33		551+54.00		14.67				1.0							
TOTALS:							937.5	600.0	2.0	2.0	4.0	4.0	0.5	15.0	7.0	4.0	

SCHEDULE OF QUANTITIES

CLASS A PATCHING (SHEET 1 OF 2)

NORTHBOUND

	STATION	STATION	LENGTH (FOOT)	WIDTH (FOOT)	CLASS A PATCHES, TYPE I, 10 INCH 44200549 (SQ YD)	CLASS A PATCHES, TYPE II, 10 INCH 44200553 (SQ YD)	CLASS A PATCHES, TYPE III, 10 INCH 44200557 (SQ YD)	CLASS A PATCHES, TYPE IV, 10 INCH 44200559 (SQ YD)	PATCHING REINFORCEMENT 44213000 (SQ YD)	SAW CUTS 44213200 (FOOT)	TIE BARS 3/4" 44213204 (EACH)
NBPL	307+80.00	307+84.00	4.0	6.0	2.7	0.0	0.0	0.0	2.7	36.0	0.0
NBPL	308+95.00	309+05.00	10.0	12.0	0.0	13.3	0.0	0.0	13.3	78.0	0.0
NBDL	309+40.00	309+60.00	20.0	6.0	0.0	13.3	0.0	0.0	13.3	84.0	20.0
NBDL	312+55.00	312+59.00	4.0	6.0	2.7	0.0	0.0	0.0	2.7	36.0	0.0
NBDL	313+45.00	313+65.00	20.0	6.0	0.0	13.3	0.0	0.0	13.3	84.0	20.0
NBDL	314+15.00	314+21.00	6.0	6.0	4.0	0.0	0.0	0.0	4.0	42.0	0.0
NBPL	318+25.00	318+35.00	10.0	6.0	0.0	6.7	0.0	0.0	6.7	54.0	0.0
NBDL	318+40.00	318+44.00	4.0	6.0	2.7	0.0	0.0	0.0	2.7	36.0	0.0
NBDL	320+75.00	320+79.00	4.0	6.0	2.7	0.0	0.0	0.0	2.7	36.0	0.0
NBDL	322+05.00	322+20.00	15.0	6.0	0.0	10.0	0.0	0.0	10.0	69.0	0.0
NBDL	323+25.00	323+35.00	10.0	6.0	0.0	6.7	0.0	0.0	6.7	54.0	0.0
CH 12	4+25.00	4+29.00	4.0	16.0	0.0	7.1	0.0	0.0	7.1	76.0	0.0
NBDL	327+25.00	327+31.00	6.0	6.0	4.0	0.0	0.0	0.0	4.0	42.0	0.0
CH 12	6+45.00	6+49.00	4.0	16.0	0.0	7.1	0.0	0.0	7.1	76.0	0.0
CH 12	6+85.00	6+89.00	4.0	16.0	0.0	7.1	0.0	0.0	7.1	76.0	0.0
NBDL	333+45.00	333+51.00	6.0	12.0	0.0	8.0	0.0	0.0	8.0	66.0	0.0
NBDL	336+50.00	336+60.00	10.0	6.0	0.0	6.7	0.0	0.0	6.7	54.0	0.0
NBDL	338+70.00	338+76.00	6.0	6.0	4.0	0.0	0.0	0.0	4.0	42.0	0.0
NBPL	339+30.00	339+36.00	6.0	6.0	4.0	0.0	0.0	0.0	4.0	42.0	0.0
NBPL	339+85.00	339+97.00	12.0	12.0	0.0	0.0	16.0	0.0	16.0	84.0	0.0
NBDL	349+40.00	349+46.00	6.0	6.0	4.0	0.0	0.0	0.0	4.0	42.0	0.0
NBDL	352+30.00	352+36.00	6.0	6.0	4.0	0.0	0.0	0.0	4.0	42.0	0.0
NBPL	358+05.00	358+09.00	4.0	6.0	2.7	0.0	0.0	0.0	2.7	36.0	0.0
NBDL	358+25.00	358+45.00	20.0	12.0	0.0	0.0	0.0	26.7	26.7	108.0	20.0
NBDL	358+60.00	358+66.00	6.0	6.0	4.0	0.0	0.0	0.0	4.0	42.0	0.0
NBPL	360+75.00	360+81.00	6.0	6.0	4.0	0.0	0.0	0.0	4.0	42.0	0.0
NBDL	361+75.00	361+81.00	6.0	6.0	4.0	0.0	0.0	0.0	4.0	42.0	0.0
NBDL	363+15.00	363+25.00	10.0	6.0	0.0	6.7	0.0	0.0	6.7	54.0	0.0
NBDL	364+20.00	364+26.00	6.0	6.0	4.0	0.0	0.0	0.0	4.0	42.0	0.0
NBDL	364+70.00	364+80.00	10.0	6.0	0.0	6.7	0.0	0.0	6.7	54.0	0.0
NBDL	365+65.00	365+75.00	10.0	6.0	0.0	6.7	0.0	0.0	6.7	54.0	0.0
NBDL	366+40.00	366+46.00	6.0	6.0	4.0	0.0	0.0	0.0	4.0	42.0	0.0
NBDL	372+40.00	372+55.00	15.0	6.0	0.0	10.0	0.0	0.0	10.0	69.0	0.0
NBDL	374+20.00	374+45.00	25.0	6.0	0.0	0.0	16.7	0.0	16.7	99.0	25.0
NBDL	375+00.00	375+06.00	6.0	6.0	4.0	0.0	0.0	0.0	4.0	42.0	0.0
NBDL	376+15.00	376+21.00	6.0	6.0	4.0	0.0	0.0	0.0	4.0	42.0	0.0
NBDL	378+25.00	378+31.00	6.0	6.0	4.0	0.0	0.0	0.0	4.0	42.0	0.0
NBDL	379+50.00	379+56.00	6.0	12.0	0.0	8.0	0.0	0.0	8.0	66.0	0.0
NBDL	381+00.00	381+06.00	6.0	6.0	4.0	0.0	0.0	0.0	4.0	42.0	0.0
NBDL	396+65.00	396+71.00	6.0	6.0	4.0	0.0	0.0	0.0	4.0	42.0	0.0
NBDL	398+70.00	398+76.00	6.0	6.0	4.0	0.0	0.0	0.0	4.0	42.0	0.0
NBDL	399+75.00	399+81.00	6.0	6.0	4.0	0.0	0.0	0.0	4.0	42.0	0.0
NBDL	402+40.00	402+46.00	6.0	6.0	4.0	0.0	0.0	0.0	4.0	42.0	0.0
NBDL	403+40.00	403+46.00	6.0	12.0	0.0	8.0	0.0	0.0	8.0	66.0	0.0
NBDL	403+50.00	403+56.00	6.0	6.0	4.0	0.0	0.0	0.0	4.0	42.0	0.0
NBDL	404+60.00	404+66.00	6.0	6.0	4.0	0.0	0.0	0.0	4.0	42.0	0.0
NBDL	406+40.00	406+46.00	6.0	6.0	4.0	0.0	0.0	0.0	4.0	42.0	0.0
NBDL	408+60.00	408+70.00	10.0	6.0	0.0	6.7	0.0	0.0	6.7	54.0	0.0
NBDL	414+00.00	414+06.00	6.0	6.0	4.0	0.0	0.0	0.0	4.0	42.0	0.0
NBDL	419+50.00	419+56.00	6.0	6.0	4.0	0.0	0.0	0.0	4.0	42.0	0.0
NBDL	425+70.00	425+76.00	6.0	6.0	4.0	0.0	0.0	0.0	4.0	42.0	0.0
NBDL	426+80.00	426+86.00	6.0	6.0	4.0	0.0	0.0	0.0	4.0	42.0	0.0
NBDL	427+80.00	427+86.00	6.0	6.0	4.0	0.0	0.0	0.0	4.0	42.0	0.0
NBDL	428+40.00	428+46.00	6.0	6.0	4.0	0.0	0.0	0.0	4.0	42.0	0.0
NBDL	430+25.00	430+31.00	6.0	6.0	4.0	0.0	0.0	0.0	4.0	42.0	0.0
NBDL	431+15.00	431+21.00	6.0	6.0	4.0	0.0	0.0	0.0	4.0	42.0	0.0
NBDL	431+60.00	431+66.00	6.0	12.0	0.0	8.0	0.0	0.0	8.0	66.0	0.0
NBDL	433+60.00	433+66.00	6.0	6.0	4.0	0.0	0.0	0.0	4.0	42.0	0.0
NBDL	452+60.00	452+66.00	6.0	12.0	0.0	8.0	0.0	0.0	8.0	66.0	0.0
NBDL	471+20.00	471+26.00	6.0	6.0	4.0	0.0	0.0	0.0	4.0	42.0	0.0
NBDL	472+15.00	472+21.00	6.0	6.0	4.0	0.0	0.0	0.0	4.0	42.0	0.0
NBDL	474+20.00	474+26.00	6.0	6.0	4.0	0.0	0.0	0.0	4.0	42.0	0.0
NB TOTAL:					149.5	168.1	32.7	26.7	377.0	3,219.0	85.0
NB ROUNDED:					150.0	170.0	40.0	30.0	380.0	3,220.0	90.0

SCHEDULE OF QUANTITIES

CLASS A PATCHING (SHEET 2 OF 2)

SOUTHBOUND

	STATION	STATION	LENGTH (FOOT)	WIDTH (FOOT)	CLASS A PATCHES, TYPE I, 10 INCH 44200549 (SQ YD)	CLASS A PATCHES, TYPE II, 10 INCH 44200553 (SQ YD)	CLASS A PATCHES, TYPE III, 10 INCH 44200557 (SQ YD)	CLASS A PATCHES, TYPE IV, 10 INCH 44200559 (SQ YD)	PATCHING REINFORCEMENT 44213000 (SQ YD)	SAW CUTS 44213200 (FOOT)	TIE BARS 3/4" 44213204 (EACH)
SBDL	307+25.00	307+31.00	6.0	6.0	4.0	0.0	0.0	0.0	4.0	42.0	0.0
SBDL	308+80.00	308+86.00	6.0	12.0	0.0	8.0	0.0	0.0	8.0	66.0	0.0
SBDL	311+75.00	311+81.00	6.0	12.0	0.0	8.0	0.0	0.0	8.0	66.0	0.0
SBDL	312+80.00	312+86.00	6.0	6.0	4.0	0.0	0.0	0.0	4.0	42.0	0.0
SBDL	313+40.00	313+46.00	6.0	6.0	4.0	0.0	0.0	0.0	4.0	42.0	0.0
SBDL	315+00.00	315+06.00	6.0	6.0	4.0	0.0	0.0	0.0	4.0	42.0	0.0
SBDL	328+50.00	328+58.00	8.0	6.0	0.0	5.3	0.0	0.0	5.3	48.0	0.0
SBDL	330+30.00	330+36.00	6.0	6.0	4.0	0.0	0.0	0.0	4.0	42.0	0.0
SBDL	332+75.00	332+81.00	6.0	12.0	0.0	8.0	0.0	0.0	8.0	66.0	0.0
SBDL	333+70.00	333+76.00	6.0	6.0	4.0	0.0	0.0	0.0	4.0	42.0	0.0
SBDL	333+95.00	334+10.00	15.0	6.0	0.0	10.0	0.0	0.0	10.0	69.0	0.0
SBDL	338+40.00	338+46.00	6.0	6.0	4.0	0.0	0.0	0.0	4.0	42.0	0.0
SBDL	338+90.00	338+96.00	6.0	6.0	4.0	0.0	0.0	0.0	4.0	42.0	0.0
SBDL	345+80.00	345+86.00	6.0	6.0	4.0	0.0	0.0	0.0	4.0	42.0	0.0
SBDL	347+50.00	347+60.00	10.0	6.0	0.0	6.7	0.0	0.0	6.7	54.0	0.0
SBDL	349+70.00	349+76.00	6.0	6.0	4.0	0.0	0.0	0.0	4.0	42.0	0.0
SBDL	351+20.00	351+30.00	10.0	6.0	0.0	6.7	0.0	0.0	6.7	54.0	0.0
SBDL	352+10.00	352+20.00	10.0	6.0	0.0	6.7	0.0	0.0	6.7	54.0	0.0
SBDL	352+60.00	352+66.00	6.0	6.0	4.0	0.0	0.0	0.0	4.0	42.0	0.0
SBDL	353+90.00	354+00.00	10.0	6.0	0.0	6.7	0.0	0.0	6.7	54.0	0.0
SBDL	354+30.00	354+36.00	6.0	6.0	4.0	0.0	0.0	0.0	4.0	42.0	0.0
SBDL	355+20.00	355+40.00	20.0	6.0	0.0	13.3	0.0	0.0	13.3	84.0	20.0
SBDL	356+70.00	356+76.00	6.0	6.0	4.0	0.0	0.0	0.0	4.0	42.0	0.0
SBDL	357+50.00	357+56.00	6.0	6.0	4.0	0.0	0.0	0.0	4.0	42.0	0.0
SBDL	366+00.00	366+06.00	6.0	6.0	4.0	0.0	0.0	0.0	4.0	42.0	0.0
SBDL	367+00.00	367+06.00	6.0	6.0	4.0	0.0	0.0	0.0	4.0	42.0	0.0
SBDL	372+40.00	372+50.00	10.0	6.0	0.0	6.7	0.0	0.0	6.7	54.0	0.0
SBDL	376+50.00	376+70.00	20.0	6.0	0.0	13.3	0.0	0.0	13.3	84.0	20.0
SBDL	376+90.00	376+96.00	6.0	6.0	4.0	0.0	0.0	0.0	4.0	42.0	0.0
SBDL	382+80.00	382+86.00	6.0	6.0	4.0	0.0	0.0	0.0	4.0	42.0	0.0
SBDL	386+20.00	386+26.00	6.0	6.0	4.0	0.0	0.0	0.0	4.0	42.0	0.0
SBDL	387+80.00	387+86.00	6.0	6.0	4.0	0.0	0.0	0.0	4.0	42.0	0.0
SBDL	400+50.00	401+00.00	50.0	6.0	0.0	0.0	0.0	33.3	33.3	174.0	50.0
SBDL	468+80.00	468+86.00	6.0	6.0	4.0	0.0	0.0	0.0	4.0	42.0	0.0
SBDL	510+70.00	510+76.00	6.0	6.0	4.0	0.0	0.0	0.0	4.0	42.0	0.0
SB TOTAL:					88.0	99.4	0.0	33.3	220.7	1,851.0	90.0
SB ROUNDED:					90.0	100.0	0.0	40.0	230.0	1,860.0	90.0

SUMMARY

	CLASS A PATCHES, TYPE I, 10 INCH 44200549 (SQ YD)	CLASS A PATCHES, TYPE II, 10 INCH 44200553 (SQ YD)	CLASS A PATCHES, TYPE III, 10 INCH 44200557 (SQ YD)	CLASS A PATCHES, TYPE IV, 10 INCH 44200559 (SQ YD)	PATCHING REINFORCEMENT 44213000 (SQ YD)	SAW CUTS 44213200 (FOOT)	TIE BARS 3/4" 44213204 (EACH)
NORTHBOUND TOTAL:	150.0	170.0	40.0	30.0	380.0	3,220.0	90.0
SOUTHBOUND TOTAL:	90.0	100.0	0.0	40.0	230.0	1,860.0	90.0
GRAND TOTAL:	240.0	270.0	40.0	70.0	610.0	5,080.0	180.0

SCHEDULE OF QUANTITIES

CLASS D PATCHING

NORTHBOUND SHOULDERS CLASS D PATCHES

	STATION	STATION	LENGTH (FOOT)	WIDTH (FOOT)	CLASS D PATCHES, TYPE I, 10 INCH 44201761 (SQ YD)	CLASS D PATCHES, TYPE II, 10 INCH 44201765 (SQ YD)	CLASS D PATCHES, TYPE III, 10 INCH 44201769 (SQ YD)	CLASS D PATCHES, TYPE IV, 10 INCH 44201771 (SQ YD)
NBDL SHLDR	322+50.00	322+60.00	10.0	4.0	4.4	0.0	0.0	0.0
NBDL SHLDR	387+85.00	389+50.00	165.0	4.0	0.0	0.0	0.0	73.3
NBDL SHLDR	502+00.00	503+00.00	100.0	4.0	0.0	0.0	0.0	44.4
NBDL SHLDR	525+75.00	525+95.00	20.0	4.0	0.0	8.9	0.0	0.0
NBDL SHLDR	527+00.00	527+10.00	10.0	4.0	4.4	0.0	0.0	0.0
NBDL SHLDR	527+50.00	527+75.00	25.0	4.0	0.0	11.1	0.0	0.0
NBDL SHLDR	529+00.00	529+20.00	20.0	4.0	0.0	8.9	0.0	0.0
NBDL SHLDR	530+70.00	531+20.00	50.0	4.0	0.0	0.0	22.2	0.0
NBDL SHLDR	535+15.00	535+40.00	25.0	4.0	0.0	11.1	0.0	0.0
NBDL SHLDR	536+15.00	536+45.00	30.0	4.0	0.0	13.3	0.0	0.0
NBDL SHLDR	540+00.00	540+15.00	15.0	4.0	0.0	6.7	0.0	0.0
NORTHBOUND SHOULDERS TOTAL:					8.8	60.0	22.2	117.7
NORTHBOUND SHOULDERS ROUNDED TOTAL:					10.0	60.0	30.0	120.0

NORTHBOUND CLASS D PATCHES, TYPE II, 10"

CLASS D PATCHES, TYPE II, 10 INCH 44201765 (SQ YD)						
		STATION	STATION	LENGTH (FOOT)	WIDTH (FOOT)	AREA (SQ YD)
NBDL	RURAL	306+01.00	306+07.00	6.0	22.0	14.7
NBPL	RURAL	306+01.00	306+07.00	6.0	18.0	12.0
NBDL	RURAL	341+28.00	341+34.00	6.0	22.0	14.7
NBPL	RURAL	341+28.00	341+34.00	6.0	18.0	12.0
NBDL	RURAL	345+53.00	345+59.00	6.0	22.0	14.7
NBPL	RURAL	345+53.00	345+59.00	6.0	18.0	12.0
NBDL	RURAL	549+55.00	549+61.00	6.0	22.0	14.7
NBPL	RURAL	549+55.00	549+61.00	6.0	18.0	12.0
NORTHBOUND MAINLINE TOTAL:						106.7
NORTHBOUND MAINLINE TOTAL ROUNDED:						110.0

SOUTHBOUND SHOULDERS CLASS D PATCHES

	STATION	STATION	LENGTH (FOOT)	WIDTH (FOOT)	CLASS D PATCHES, TYPE I, 10 INCH 44201761 (SQ YD)	CLASS D PATCHES, TYPE II, 10 INCH 44201765 (SQ YD)	CLASS D PATCHES, TYPE III, 10 INCH 44201769 (SQ YD)	CLASS D PATCHES, TYPE IV, 10 INCH 44201771 (SQ YD)
SBDL SHLDR	307+25.00	307+35.00	10.0	10.0	0.0	11.1	0.0	0.0
SBDL SHLDR	365+50.00	365+56.00	6.0	4.0	2.7	0.0	0.0	0.0
SBDL SHLDR	425+60.00	425+66.00	6.0	4.0	2.7	0.0	0.0	0.0
SBDL SHLDR	441+45.00	441+60.00	15.0	10.0	0.0	0.0	16.7	0.0
SBDL SHLDR	449+60.00	449+70.00	10.0	4.0	4.4	0.0	0.0	0.0
SBDL SHLDR	449+75.00	449+81.00	6.0	4.0	2.7	0.0	0.0	0.0
SBDL SHLDR	486+00.00	486+20.00	20.0	4.0	0.0	8.9	0.0	0.0
SBDL SHLDR	502+70.00	502+76.00	6.0	4.0	2.7	0.0	0.0	0.0
SBDL SHLDR	536+75.00	536+81.00	6.0	4.0	2.7	0.0	0.0	0.0
SBDL SHLDR	537+10.00	537+25.00	15.0	4.0	0.0	6.7	0.0	0.0
SOUTHBOUND SHOULDERS TOTAL:					17.9	26.7	16.7	0.0
SOUTHBOUND SHOULDERS ROUNDED TOTAL:					20.0	30.0	20.0	0.0

SOUTHBOUND CLASS D PATCHES, TYPE II, 10"

CLASS D PATCHES, TYPE II, 10 INCH 44201765 (SQ YD)						
		STATION	STATION	LENGTH (FOOT)	WIDTH (FOOT)	AREA (SQ YD)
SBDL	RURAL	306+14.00	306+20.00	6.0	22.0	14.7
SBPL	RURAL	306+14.00	306+20.00	6.0	18.0	12.0
SBDL	RURAL	341+07.00	341+13.00	6.0	22.0	14.7
SBPL	RURAL	341+07.00	341+13.00	6.0	18.0	12.0
SBDL	RURAL	345+41.00	345+47.00	6.0	22.0	14.7
SBPL	RURAL	345+41.00	345+47.00	6.0	18.0	12.0
SBDL	RURAL	549+98.00	550+04.00	6.0	22.0	14.7
SBPL	RURAL	549+98.00	550+04.00	6.0	18.0	12.0
SOUTHBOUND MAINLINE TOTAL:						106.7
SOUTHBOUND MAINLINE TOTAL ROUNDED:						110.0

CLASS D PATCHES, TYPE IV, 8"

CLASS D PATCHES, TYPE IV, 8 INCH 44201747 (SQ YD)						
		STATION	STATION	LENGTH (FOOT)	WIDTH (FOOT)	AREA (SQ YD)
NBDS	RURAL	306+07.00	306+35.80	28.8	10.0	32.0
		STATION EQ	306+35.80 BK	305+66.49 AH		
NBDS	RURAL	305+66.49	305+82.69	16.2	10.0	18.0
NBPS	RURAL	306+07.00	306+35.80	28.8	6.0	19.2
		STATION EQ	306+35.80 BK	305+66.49 AH		
NBPS	RURAL	305+66.49	305+82.69	16.2	6.0	10.8
NORTHBOUND TOTAL:						80.0
NORTHBOUND TOTAL ROUNDED:						80.0

CLASS D PATCHES SUMMARY

	CLASS D PATCHES, TYPE I, 10 INCH 44201761 (SQ YD)	CLASS D PATCHES, TYPE II, 10 INCH 44201765 (SQ YD)	CLASS D PATCHES, TYPE III, 10 INCH 44201769 (SQ YD)	CLASS D PATCHES, TYPE IV, 10 INCH 44201771 (SQ YD)
NB MAINLINE:	0.0	110.0	0.0	0.0
NB SHOULDER:	10.0	60.0	30.0	120.0
SB MAINLINE:	0.0	110.0	0.0	0.0
SB SHOULDER:	20.0	30.0	20.0	0.0
TOTAL:	30.0	310.0	50.0	120.0

SCHEDULE OF QUANTITIES

EROSION CONTROL

PERIMETER EROSION BARRIER

PERIMETER EROSION BARRIER 28000400 (FOOT)							
STATION	OFFSET	TO	STATION	OFFSET	FEATURE	LENGTH (FT)	
						NORTHBOUND	SOUTHBOUND
305+75.00 BK	90' LT		310+00.00	90' LT	BRIDGE		495.0
305+20.00 BK	75' RT		306+00.00 AH	75' RT	BRIDGE	148.0	
342+10.00	113.7' LT		342+35.00	62.2' LT	BRIDGE		75.0
342+58.00	20' LT		342+58.00	20' RT	BRIDGE	20.0	20.0
342+68.00	62.5' RT		342+44.00	111.7' RT	BRIDGE	75.0	
344+08.00	20' LT		344+08.00	20' RT	BRIDGE	20.0	20.0
344+29.00	62.4' RT		344+53.00	113.5' RT	BRIDGE	75.0	
344+36.00	111.6' LT		344+10.00	62.2' LT	BRIDGE		75.0
547+00.00	60' LT		552+00.00	60' LT	BRIDGE		493.0
546+15.00	60' RT		551+15.00	60' RT	BRIDGE	507.0	
TOTAL:						845.0	1178.0
TOTAL:						2023.0	

HEAVY DUTY EROSION CONTROL BLANKET

HEAVY DUTY EROSION CONTROL BLANKET 25100635 (SQ YD)							
STATION	OFFSET	TO	STATION	OFFSET	FEATURE	AREA FROM CADD (SQ YD)	
						NORTHBOUND	SOUTHBOUND
338+00.00	68.4' LT		342+35.00	63.6' LT	BRIDGE		770.0
341+00.00	64.4' LT		342+66.00	64.3' RT	BRIDGE	90.0	
TOTAL:						90.0	770.0
TOTAL:						860.0	

TEMPORARY DITCH CHECKS

TEMPORARY DITCH CHECKS 28000305 (FOOT)			
STATION	OFFSET	LENGTH (FT)	
		NORTHBOUND	SOUTHBOUND
305+43.00	0.0'	10.0	10.0
306+15.00 BK	128.0' LT		20.0
306+00.00 AH	137.5' LT		25.0
307+00.00	153' LT		25.0
308+00.00	167' LT		25.0
309+00.00	175.5' LT		25.0
305+28.00	109.5' RT	25.0	
305+70.00 BK	107.9' RT	25.0	
306+00.00 BK	106.2' RT	25.0	
306+25.00 BK	104.8' RT	25.0	
305+75.00 AH	103.7' RT	25.0	
306+00.00 AH	102.3' RT	25.0	
306+25.00 AH	100.8' RT	25.0	
306+50.00	99.4' RT	25.0	
306+75.00	98.0' RT	25.0	
307+00.00	96.5' RT	25.0	
307+25.00	94.7' RT	25.0	
307+50.00	92.8' RT	25.0	
307+75.00	91.0' RT	25.0	
308+00.00	89.0' RT	25.0	
308+33.00	86.6' RT	25.0	
308+66.00	84.0' RT	25.0	
309+00.00	82.0' RT	25.0	
331+25.00	194.8' RT	35.0	
332+90.00	172.6' LT		20.0
354+00.00	158.2' RT	15.0	
357+75.00	138.1' LT		15.0
548+00.00	148.0' LT		25.0
549+00.00	141.0' LT		25.0
550+00.00	142.0' LT		25.0
551+00.00	133.0' LT		25.0
552+00.00	90.0' LT		25.0
547+00.00	74.0' RT	25.0	
548+00.00	72.0' RT	25.0	
549+00.00	71.0' RT	25.0	
550+00.00	68.0' RT	25.0	
551+15.00	60.0' RT	25.0	
TOTAL:		610.0	290.0
TOTAL:		900.0	

INLET AND PIPE PROTECTION

INLET AND PIPE PROTECTION 28000500 (EACH)			
STATION	OFFSET	FEATURE	# EACH
307+50.00	0.0'	MEDIAN INLET	1.0
321+00.00	5.0' RT	MEDIAN INLET	1.0
340+75.00	1.0' RT	MEDIAN INLET	1.0
349+90.00	1.0' LT	MEDIAN INLET	1.0
360+50.00	1.0' RT	MEDIAN INLET	1.0
398+00.00	0.0'	MEDIAN INLET	1.0
408+00.00	0.0'	MEDIAN INLET	1.0
414+00.00	0.0'	MEDIAN INLET	1.0
427+00.00	0.0'	MEDIAN INLET	1.0
432+90.00	0.0'	MEDIAN INLET	1.0
449+00.00	0.0'	MEDIAN INLET	1.0
451+30.00	13.0' RT	MEDIAN INLET	1.0
473+00.00	0.0'	MEDIAN INLET	1.0
487+00.00	8.0' LT	MEDIAN INLET	1.0
499+00.00	0.0'	MEDIAN INLET	1.0
510+73.00	1.0' LT	MEDIAN INLET	1.0
TOTAL:			16.0

SCHEDULE OF QUANTITIES

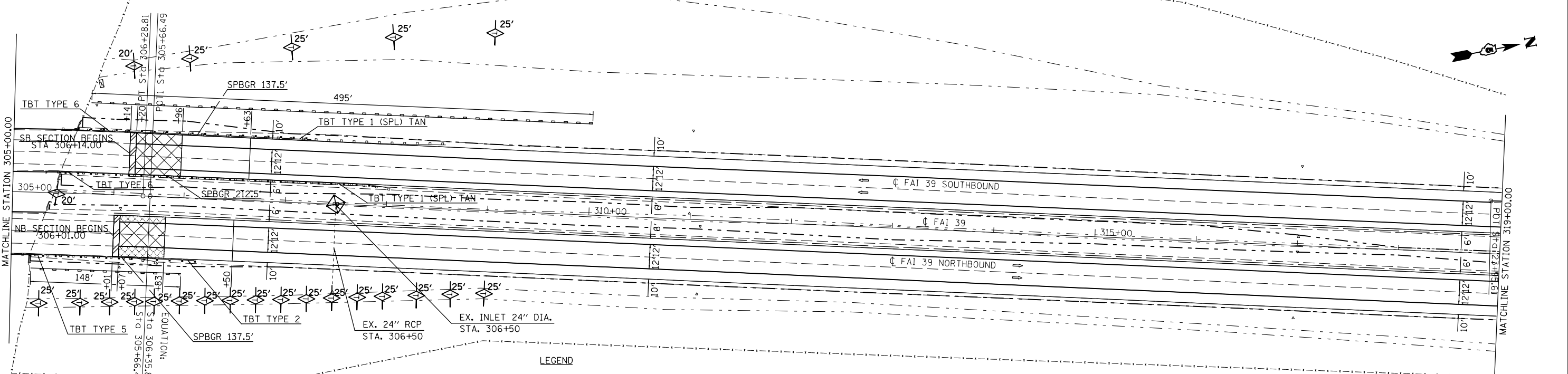
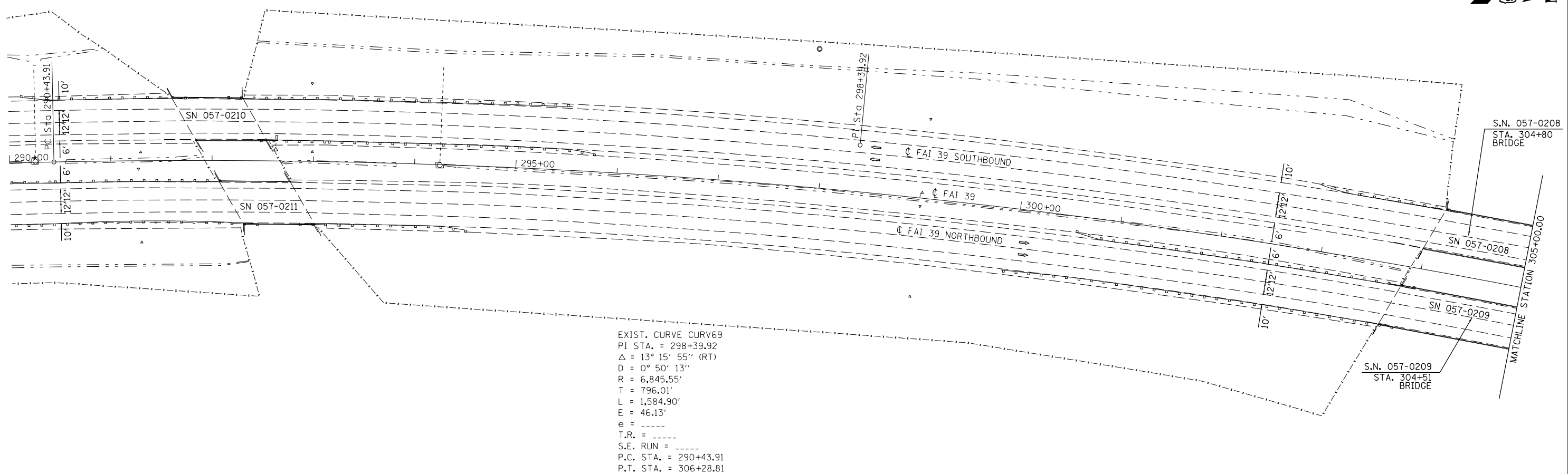
DELINEATORS (SHEET 1 OF 2)

NORTHBOUND

DELINEATORS 63500105 (EACH)							
LOCATION	STATION	SPACING	SINGLE WHITE	SINGLE AMBER	DOUBLE WHITE	DOUBLE AMBER	TRIPLE AMBER
NB RURAL	321+00.00						1
NB RURAL	335+00.00		1	1			
NB RURAL	338+00.00	300.0		1			
NB RURAL	345+00.00			1			
NB RURAL	346+50.00	150.0	1	1			
NB RURAL	348+00.00	150.0	1	1			
NB RURAL	349+50.00	150.0	1	1			
NB RURAL	349+90.00						1
NB RURAL	351+00.00	150.0	1	1			
NB RURAL	352+50.00	150.0	1	1			
NB RURAL	354+00.00	150.0	1	1			
NB RURAL	355+50.00	150.0		1			
NB RURAL	357+00.00	150.0		1			
NB RURAL	358+50.00	150.0		1			1
NB RURAL	360+50.00	200.0		1			
NB RURAL	362+50.00	200.0		1			
NB RURAL	365+50.00	300.0		1			
NB RURAL	374+25.00						1
NB RURAL	376+50.00		1	1			
NB RURAL	379+50.00	300.0	1	1			
NB RURAL	382+50.00	300.0	1	1			
NB RURAL	384+50.00	200.0	1	1			
NB RURAL	386+25.00	175.0	1	1			
NB RURAL	388+00.00	175.0	1	1			
NB RURAL	389+75.00	175.0	1	1			
NB RURAL	391+50.00	175.0	1	1			
NB RURAL	393+25.00	175.0	1	1			
NB RURAL	395+00.00	175.0	1	1			
NB RURAL	396+75.00	175.0	1	1			
NB RURAL	398+75.00	200.0	1	1			
NB RURAL	401+75.00	300.0	1	1			
NB RURAL	402+80.00						1
NB RURAL	404+75.00	300.0	1	1			
NB RURAL	418+38.00						1
NB RURAL	424+00.00						1
NB RURAL	432+00.00				1		
NB RURAL	451+00.00						1
NB RURAL	461+00.00						1
NB RURAL	487+75.00						1
NORTHBOUND MAINLINE:			21	29	0	1	10

SOUTHBOUND

DELINEATORS 63500105 (EACH)							
LOCATION	STATION	SPACING	SINGLE WHITE	SINGLE AMBER	DOUBLE WHITE	DOUBLE AMBER	TRIPLE AMBER
SB RURAL	335+00.00		1	1			
SB RURAL	338+00.00	300.0	1	1			
SB RURAL	340+00.00	200.0		1			
SB RURAL	342+00.00	200.0		1			
SB RURAL	346+50.00			1			
SB RURAL	348+00.00	150.0	1	1			
SB RURAL	349+50.00	150.0	1	1			
SB RURAL	350+00.00						1
SB RURAL	351+00.00	150.0	1	1			
SB RURAL	352+50.00	150.0	1	1			
SB RURAL	354+00.00	150.0	1	1			
SB RURAL	355+50.00	150.0	1	1			
SB RURAL	357+00.00	150.0	1	1			
SB RURAL	359+00.00	200.0		1			
SB RURAL	361+00.00	200.0		1			
SB RURAL	364+00.00	300.0		1			
SB RURAL	374+10.00						1
SB RURAL	376+50.00		1	1			
SB RURAL	379+50.00	300.0	1	1			
SB RURAL	382+50.00	300.0	1	1			
SB RURAL	384+50.00	200.0	1	1			
SB RURAL	386+25.00	175.0	1	1			
SB RURAL	388+00.00	175.0	1	1			
SB RURAL	389+75.00	175.0	1	1			
SB RURAL	391+50.00	175.0	1	1			
SB RURAL	393+25.00	175.0	1	1			
SB RURAL	395+00.00	175.0	1	1			
SB RURAL	396+75.00	175.0	1	1			
SB RURAL	398+75.00	200.0	1	1			
SB RURAL	401+75.00	300.0	1	1			
SB RURAL	404+65.00						1
SB RURAL	404+75.00	300.0	1	1			
SB RURAL	417+32.00						1
SB RURAL	433+00.00					1	
SB RURAL	441+00.00						1
SB RURAL	451+10.00						1
SB RURAL	461+10.00						1
SB RURAL	486+75.00						1
SOUTHBOUND MAINLINE:			23	29	0	1	8



- LEGEND**
- PORTLAND CEMENT CONCRETE SURFACE REMOVAL - BUTT JOINT
 - CLASS D PATCH, 10"
 - CLASS D PATCH, 8"
 - INLET AND PIPE PROTECTION
 - TEMPORARY DITCH CHECKS

FILE NAME =	USER NAME = bergena.j	DESIGNED -	REVISED -	STATE OF ILLINOIS DEPARTMENT OF TRANSPORTATION	I 39 PLAN SHEET	F.A.I. RTE.	SECTION	COUNTY	TOTAL SHEETS	SHEET NO.
ei:\pw_work\p\dot\bergena.j\0373914\057020-shr-dblpLn.dgn		DRAWN -	REVISED -			39	(57-3,57-4)RS	MCLEAN	94	33
PLOT SCALE = 100.0000' / in.		CHECKED -	REVISED -			CONTRACT NO. 70A20				
PLOT DATE = 3/18/2014		DATE -	REVISED -			ILLINOIS FED. AID PROJECT				

EXIST. CURVE CURV193
 PI STA. = 9+22.93
 $\Delta = 19^\circ 18' 42''$ (RT)
 $D = 2^\circ 14' 42''$
 $R = 2,552.11'$
 $T = 434.23'$
 $L = 860.22'$
 $E = 36.68'$

T.R. =
 S.E. RUN =
 P.C. STA. = 4+88.70
 P.T. STA. = 13+48.93

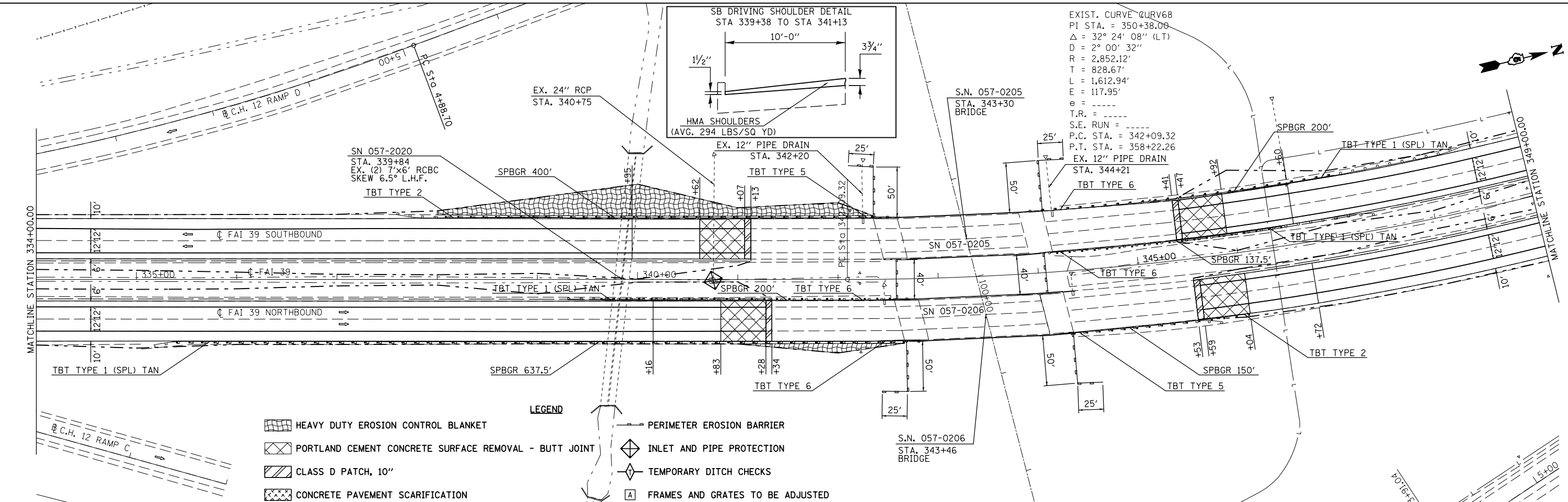
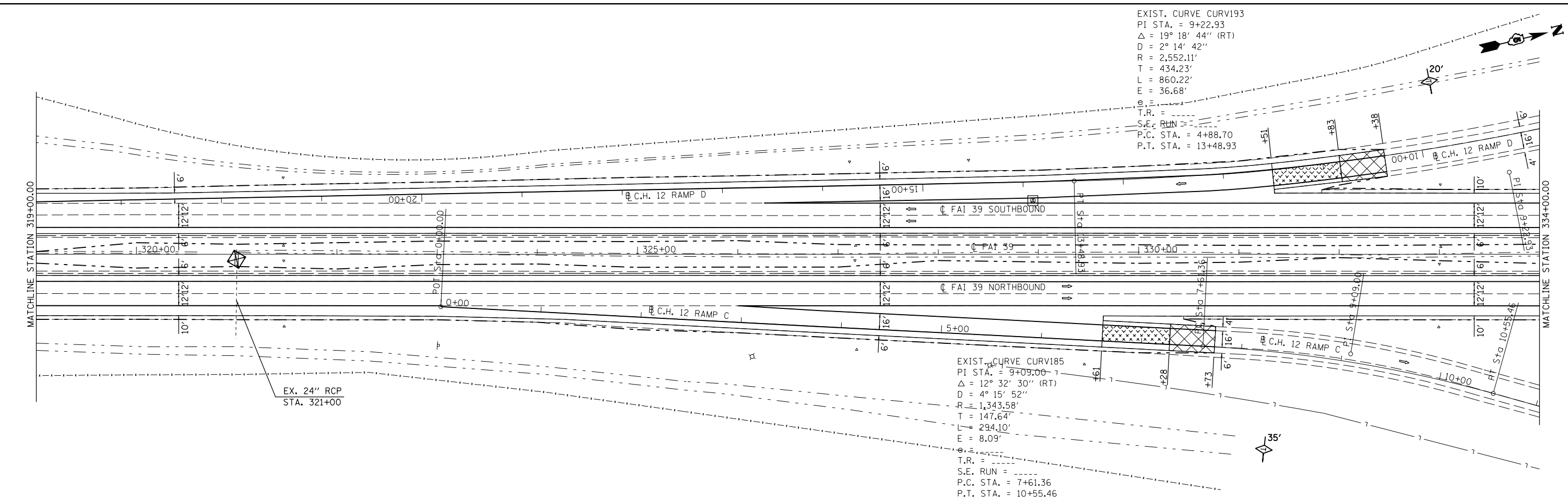
EXIST. CURVE CURV185
 PI STA. = 9+09.00
 $\Delta = 12^\circ 32' 30''$ (RT)
 $D = 4^\circ 15' 52''$
 $R = 1,343.58'$
 $T = 147.64'$
 $L = 294.10'$
 $E = 8.09'$

T.R. =
 S.E. RUN =
 P.C. STA. = 7+61.36
 P.T. STA. = 10+55.46

EXIST. CURVE CURV68
 PI STA. = 350+38.00
 $\Delta = 32^\circ 24' 08''$ (LT)
 $D = 2^\circ 00' 32''$
 $R = 2,852.12'$
 $T = 828.67'$
 $L = 1,612.94'$
 $E = 117.95'$

T.R. =
 S.E. RUN =
 P.C. STA. = 342+09.32
 P.T. STA. = 358+22.26

S.N. 057-0206
 STA. 343+46
 BRIDGE



- LEGEND**
- HEAVY DUTY EROSION CONTROL BLANKET
 - PORTLAND CEMENT CONCRETE SURFACE REMOVAL - BUTT JOINT
 - CLASS D PATCH, 10'
 - CONCRETE PAVEMENT SCARIFICATION
 - PERIMETER EROSION BARRIER
 - INLET AND PIPE PROTECTION
 - TEMPORARY DITCH CHECKS
 - FRAMES AND GRATES TO BE ADJUSTED

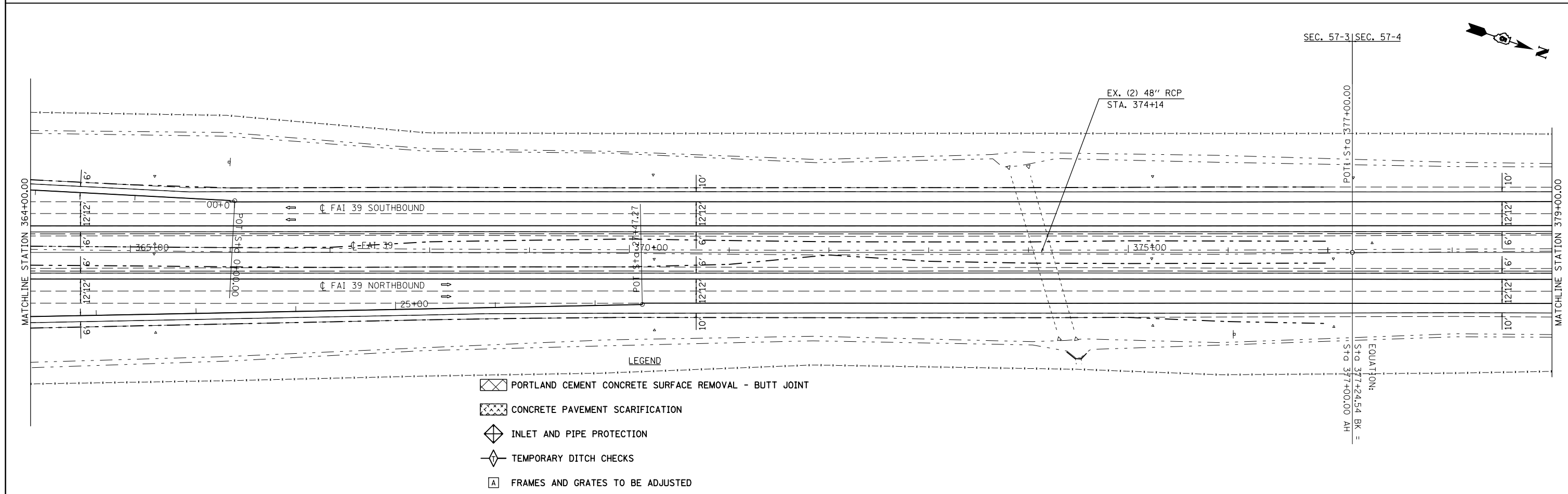
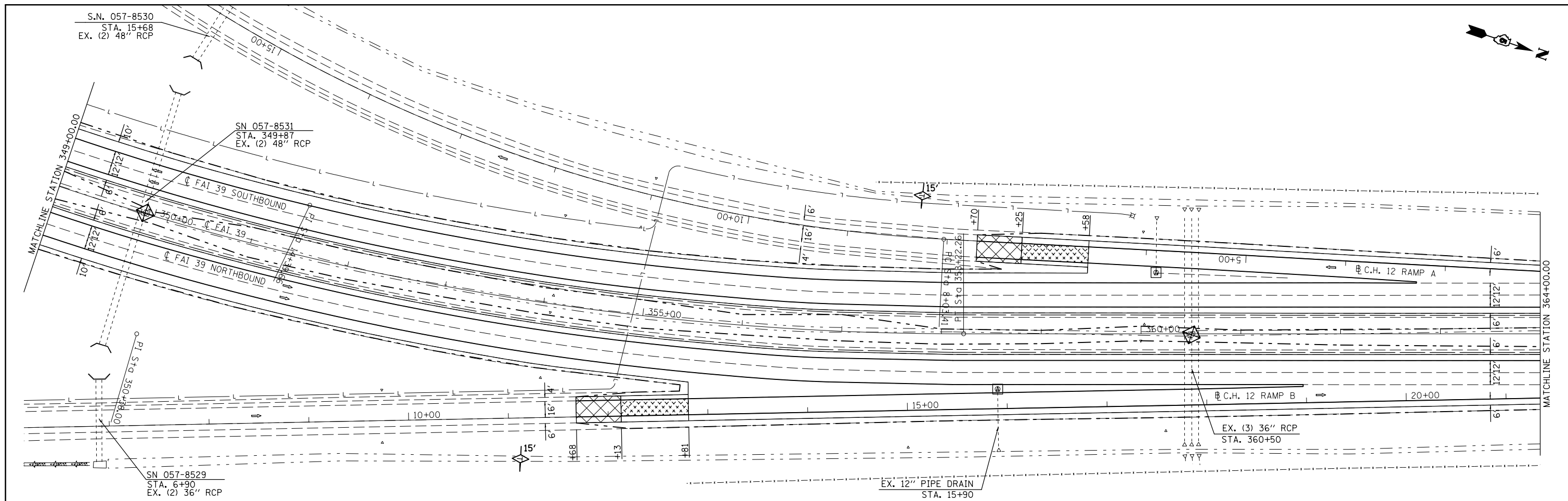
FILE NAME =	USER NAME = bergenej	DESIGNED -	REVISED -
ei:\pw\work\p1dot\bergenej\0373914\0570206-shr-dblp1n.dgn		DRAWN -	REVISED -
		CHECKED -	REVISED -
		DATE -	REVISED -
#MODELNAME#	PLOT DATE = 3/18/2014		

**STATE OF ILLINOIS
 DEPARTMENT OF TRANSPORTATION**

**I 39
 PLAN SHEET**

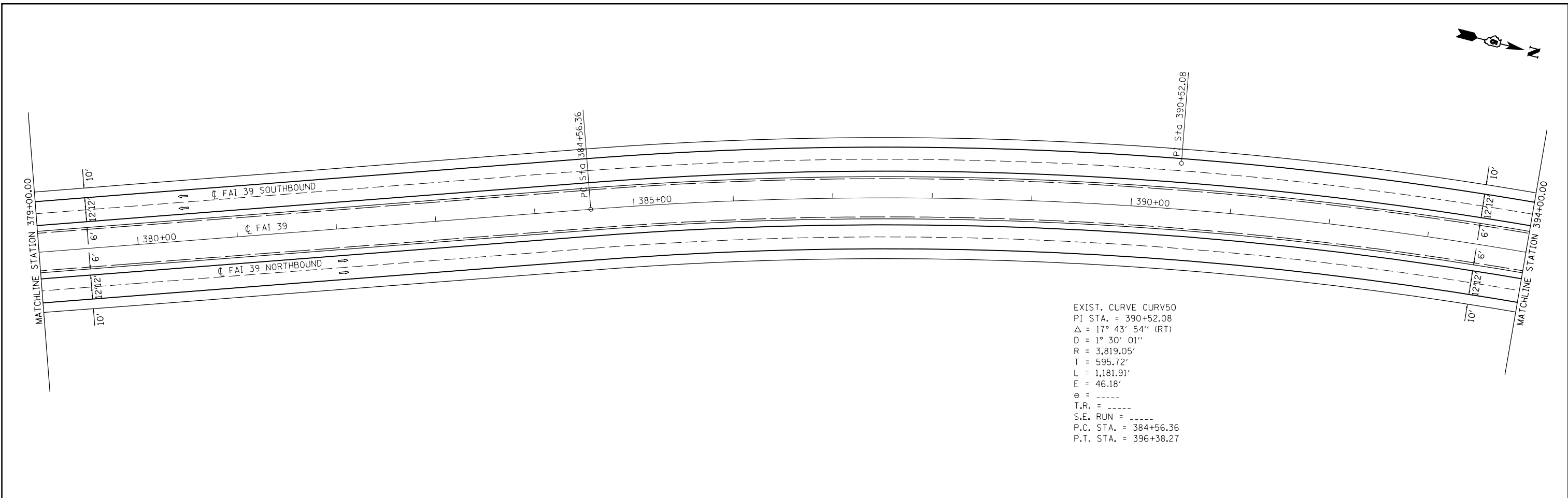
SCALE: SHEET 2 OF 9 SHEETS STA. 319+00 TO STA. 349+00

F.A.I. RTE.	SECTION	COUNTY	TOTAL SHEETS	SHEET NO.
39	(57-3,57-4)RS	MCLEAN	94	34
CONTRACT NO. 70A20			ILLINOIS FED. AID PROJECT	

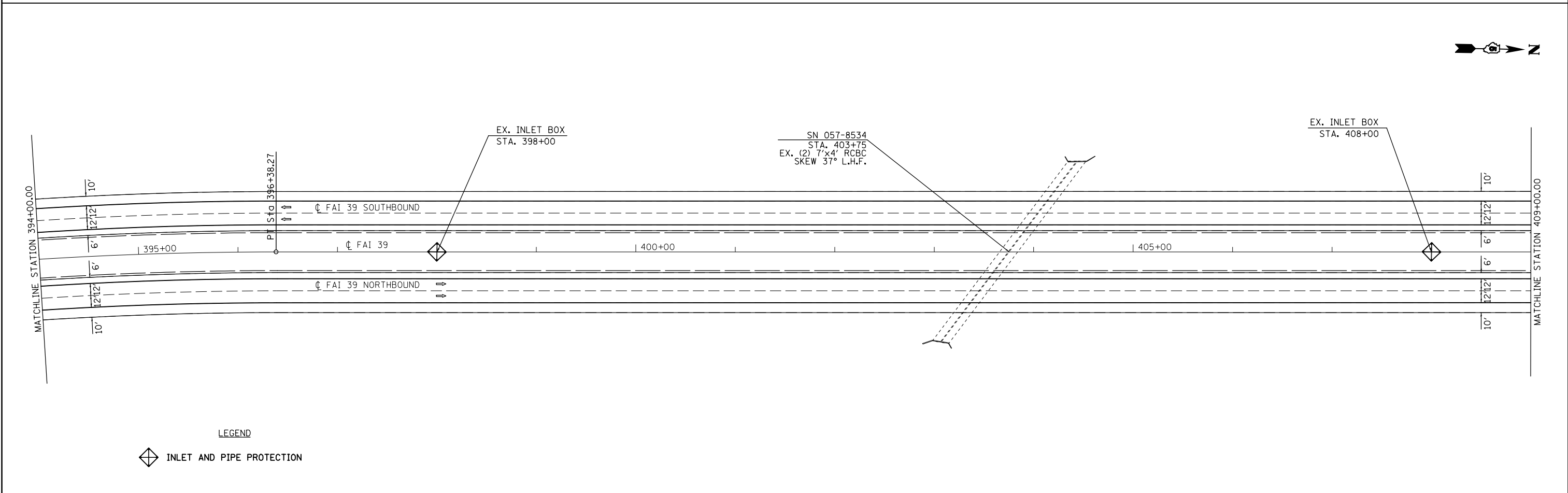


- LEGEND**
- PORTLAND CEMENT CONCRETE SURFACE REMOVAL - BUTT JOINT
 - CONCRETE PAVEMENT SCARIFICATION
 - INLET AND PIPE PROTECTION
 - TEMPORARY DITCH CHECKS
 - FRAMES AND GRATES TO BE ADJUSTED

FILE NAME = e:\pwwork\pwwork\bergena\0373914\057391420-shr-dblp1n.dgn	USER NAME = bergena_j	DESIGNED -	REVISED -	STATE OF ILLINOIS DEPARTMENT OF TRANSPORTATION	I 39 PLAN SHEET	F.A.I. RTE. = 39	SECTION = (57-3,57-4)RS	COUNTY = MCLEAN	TOTAL SHEETS = 94	SHEET NO. = 35	
*MODELNAME#	PLOT SCALE = 100.0000' / in.	CHECKED -	REVISED -			SCALE: SHEET 3 OF 9 SHEETS STA. 349+00 TO STA. 379+00	CONTRACT NO. 70A20				
	PLOT DATE = 3/18/2014	DATE -	REVISED -			ILLINOIS FED. AID PROJECT					



EXIST. CURVE CURV50
 PI STA. = 390+52.08
 Δ = 17° 43' 54" (RT)
 D = 1° 30' 01"
 R = 3,819.05'
 T = 595.72'
 L = 1,181.91'
 E = 46.18'
 e = -----
 T.R. = -----
 S.E. RUN = -----
 P.C. STA. = 384+56.36
 P.T. STA. = 396+38.27



LEGEND
 INLET AND PIPE PROTECTION

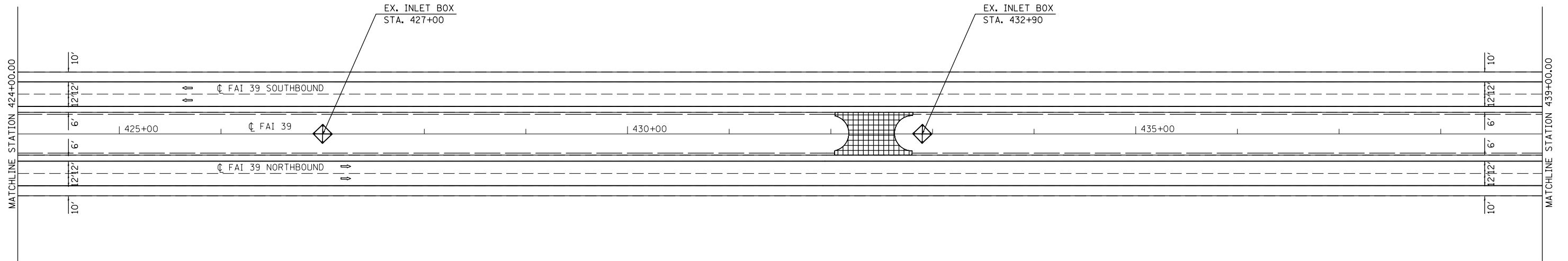
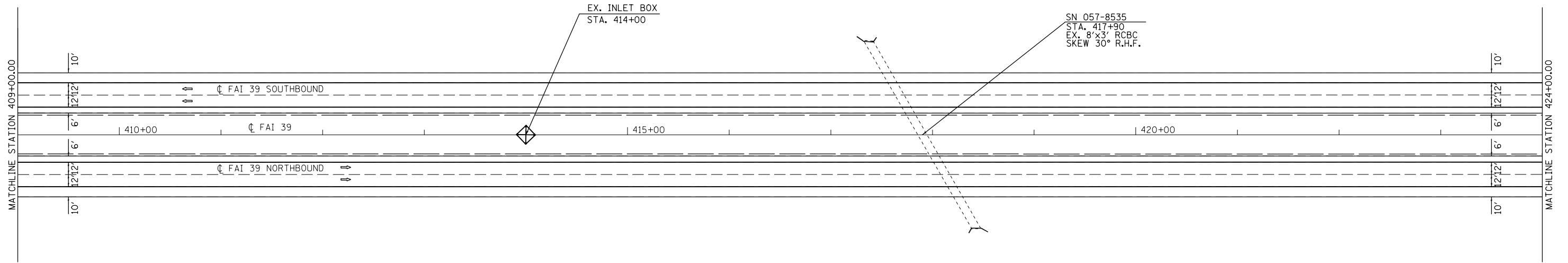
FILE NAME =	USER NAME = bergenej	DESIGNED -	REVISED -
ei:\pw\work\p\idot\bergenej\d0373914\057820-shr-dblp\p.dgn		DRAWN -	REVISED -
	PLOT SCALE = 100.0000' / in.	CHECKED -	REVISED -
#MODELNAME#	PLOT DATE = 3/18/2014	DATE -	REVISED -

**STATE OF ILLINOIS
 DEPARTMENT OF TRANSPORTATION**

**I 39
 PLAN SHEET**

SCALE: SHEET 4 OF 9 SHEETS STA. 379+00 TO STA. 409+00

F.A.I. RTE.	SECTION	COUNTY	TOTAL SHEETS	SHEET NO.
39	(57-3,57-4)RS	MCLEAN	94	36
CONTRACT NO. 70A20				
ILLINOIS FED. AID PROJECT				



LEGEND

- INCIDENTAL HOT-MIX ASPHALT SURFACING
- INLET AND PIPE PROTECTION

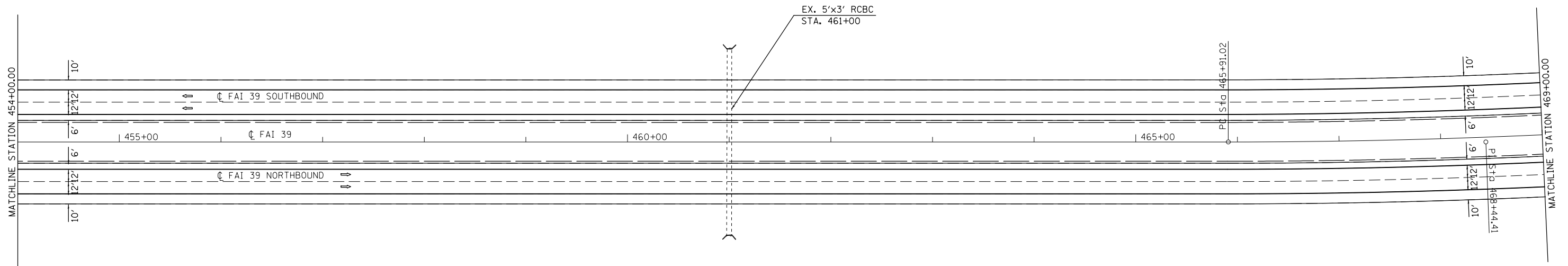
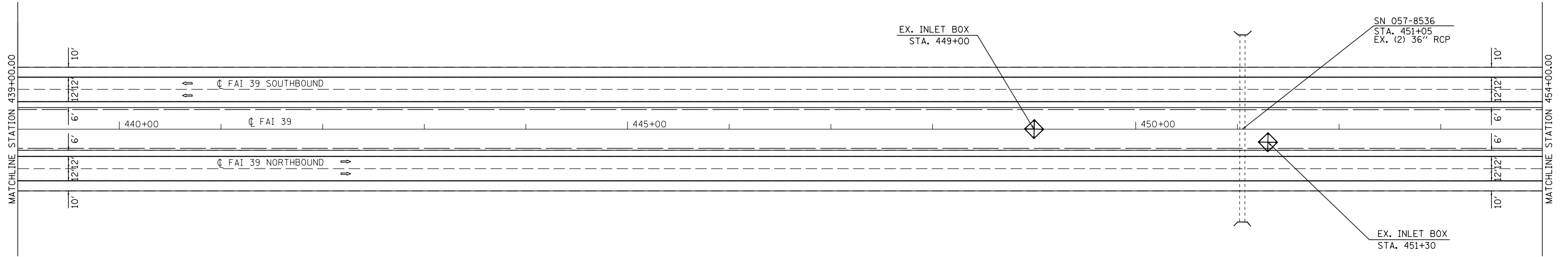
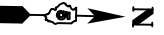
FILE NAME =	USER NAME = bergenej	DESIGNED -	REVISED -
ei:\pw\work\p\dot\bergenej\0373914\0578620-sht-dblpLn.dgn		DRAWN -	REVISED -
	PLOT SCALE = 100.0000' / in.	CHECKED -	REVISED -
#MODELNAME#	PLOT DATE = 3/18/2014	DATE -	REVISED -

STATE OF ILLINOIS
DEPARTMENT OF TRANSPORTATION

I 39
PLAN SHEET

SCALE: SHEET 5 OF 9 SHEETS STA. 409+00 TO STA. 439+00

F.A.I. RTE.	SECTION	COUNTY	TOTAL SHEETS	SHEET NO.
39	(57-3,57-4)RS	MCLEAN	94	37
CONTRACT NO. 70A20			ILLINOIS FED. AID PROJECT	



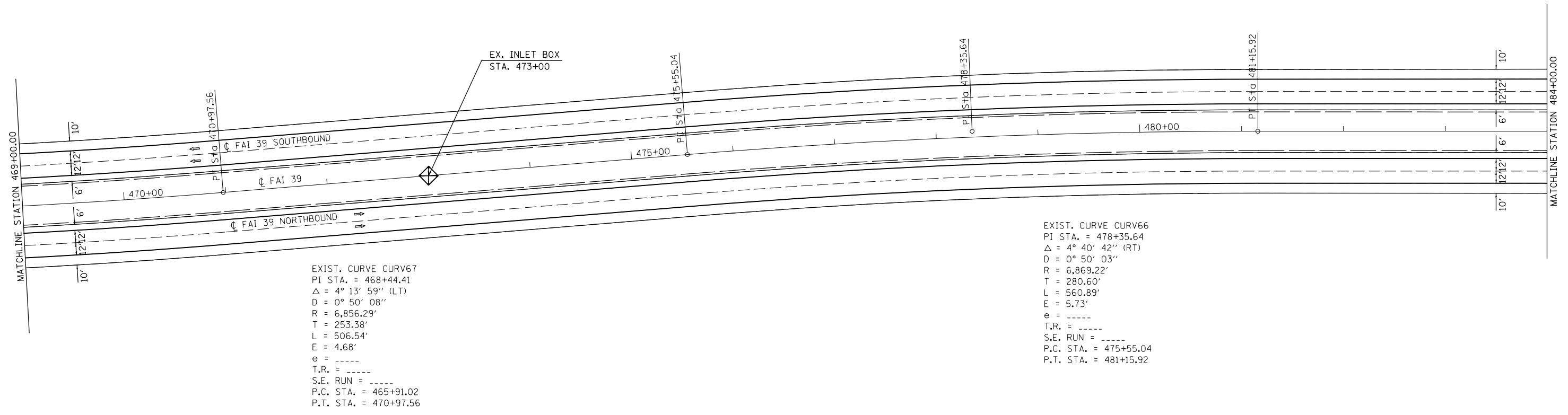
LEGEND
 INLET AND PIPE PROTECTION

FILE NAME =	USER NAME = bergenej	DESIGNED -	REVISED -
ei:\pw\work\p\idot\bergenej\0373914\057020-sht-dblp\in.dgn		DRAWN -	REVISED -
	PLOT SCALE = 100.0000' / in.	CHECKED -	REVISED -
#MODELNAME#	PLOT DATE = 3/18/2014	DATE -	REVISED -

**STATE OF ILLINOIS
DEPARTMENT OF TRANSPORTATION**

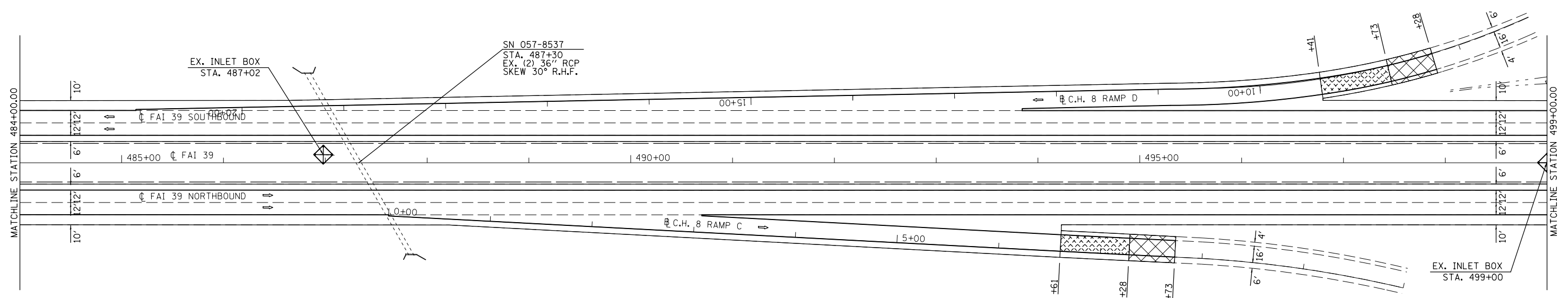
I 39 PLAN SHEET			
SCALE:	SHEET 6 OF 9 SHEETS	STA. 439+00	TO STA. 469+00

F.A.I. RTE.	SECTION	COUNTY	TOTAL SHEETS	SHEET NO.
39	(57-3,57-4)RS	MCLEAN	94	38
CONTRACT NO. 70A20				
ILLINOIS FED. AID PROJECT				



EXIST. CURVE CURV67
 PI STA. = 468+44.41
 $\Delta = 4^\circ 13' 59''$ (LT)
 $D = 0^\circ 50' 08''$
 $R = 6,856.29'$
 $T = 253.38'$
 $L = 506.54'$
 $E = 4.68'$
 $e = \text{-----}$
 $T.R. = \text{-----}$
 $S.E. RUN = \text{-----}$
 $P.C. STA. = 465+91.02$
 $P.T. STA. = 470+97.56$

EXIST. CURVE CURV66
 PI STA. = 478+35.64
 $\Delta = 4^\circ 40' 42''$ (RT)
 $D = 0^\circ 50' 03''$
 $R = 6,869.22'$
 $T = 280.60'$
 $L = 560.89'$
 $E = 5.73'$
 $e = \text{-----}$
 $T.R. = \text{-----}$
 $S.E. RUN = \text{-----}$
 $P.C. STA. = 475+55.04$
 $P.T. STA. = 481+15.92$



SN 057-8537
 STA. 487+30
 EX. (2) 36" RCP
 SKEW 30° R.H.F.

EX. INLET BOX
 STA. 487+02

EX. INLET BOX
 STA. 499+00

LEGEND

- PORTLAND CEMENT CONCRETE SURFACE REMOVAL - BUTT JOINT
- CONCRETE PAVEMENT SCARIFICATION
- INLET AND PIPE PROTECTION

FILE NAME =	USER NAME = bergena.j	DESIGNED -	REVISED -
ei:\pw\work\p\midot\bergena.j\0373914\0578537\020-sht-dblp\p.dgn		DRAWN -	REVISED -
	PLOT SCALE = 100.0000' / in.	CHECKED -	REVISED -
#MODELNAME#	PLOT DATE = 3/18/2014	DATE -	REVISED -

STATE OF ILLINOIS
 DEPARTMENT OF TRANSPORTATION

I 39	
PLAN SHEET	
SCALE:	SHEET 7 OF 9 SHEETS STA. 469+00 TO STA. 499+00

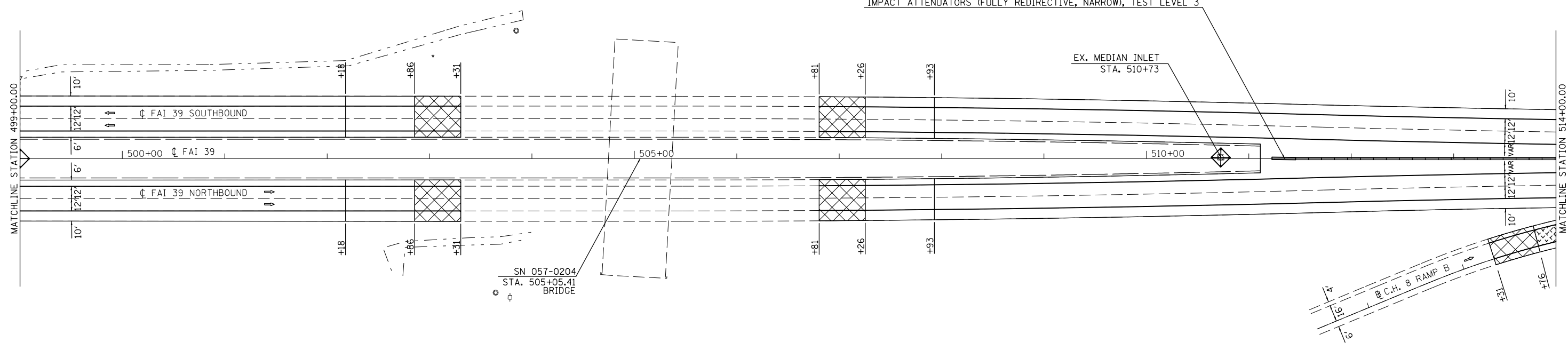
F.A.I. RTE.	SECTION	COUNTY	TOTAL SHEETS	SHEET NO.
39	(57-3,57-4)RS	MCLEAN	94	39
CONTRACT NO. 70A20				
ILLINOIS FED. AID PROJECT				



IMPACT ATTENUATORS (FULLY REDIRECTIVE, NARROW), TEST LEVEL 3

EX. MEDIAN INLET
STA. 510+73

SN 057-0204
STA. 505+05.41
BRIDGE

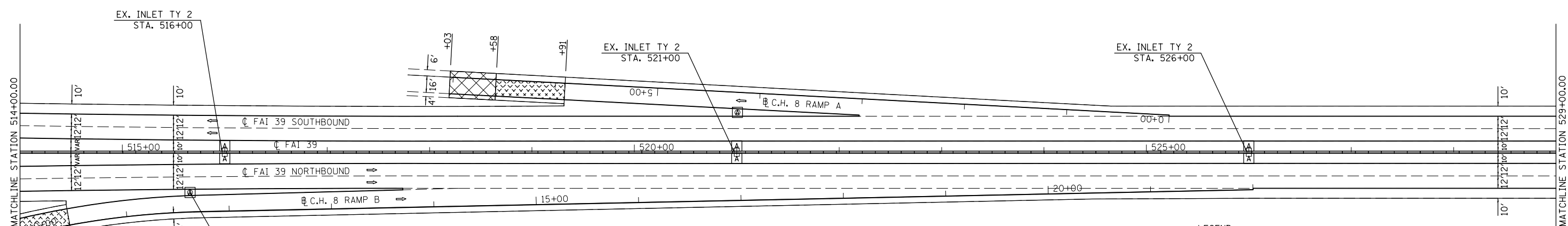


EX. INLET TY 2
STA. 516+00

EX. INLET TY 2
STA. 521+00

EX. INLET TY 2
STA. 526+00

EX. INLET TY A, TY1 FR CL
STA. 515+65



LEGEND

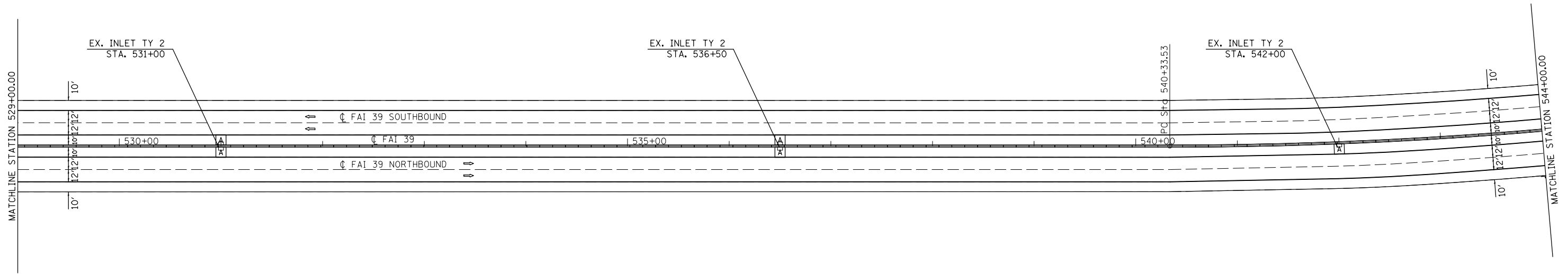
- PORTLAND CEMENT CONCRETE SURFACE REMOVAL - BUTT JOINT
- CONCRETE PAVEMENT SCARIFICATION
- PORTLAND CEMENT CONCRETE SHOULDERS, 8"
- INLET AND PIPE PROTECTION
- FRAMES AND GRATES TO BE ADJUSTED

FILE NAME =	USER NAME = bergenej	DESIGNED -	REVISED -
ei:\pw\work\p1dot\bergenej\0373914\0570204\sh-t-dblp1n.dgn		DRAWN -	REVISED -
	PLOT SCALE = 100.0000' / in.	CHECKED -	REVISED -
#MODELNAME#	PLOT DATE = 3/18/2014	DATE -	REVISED -

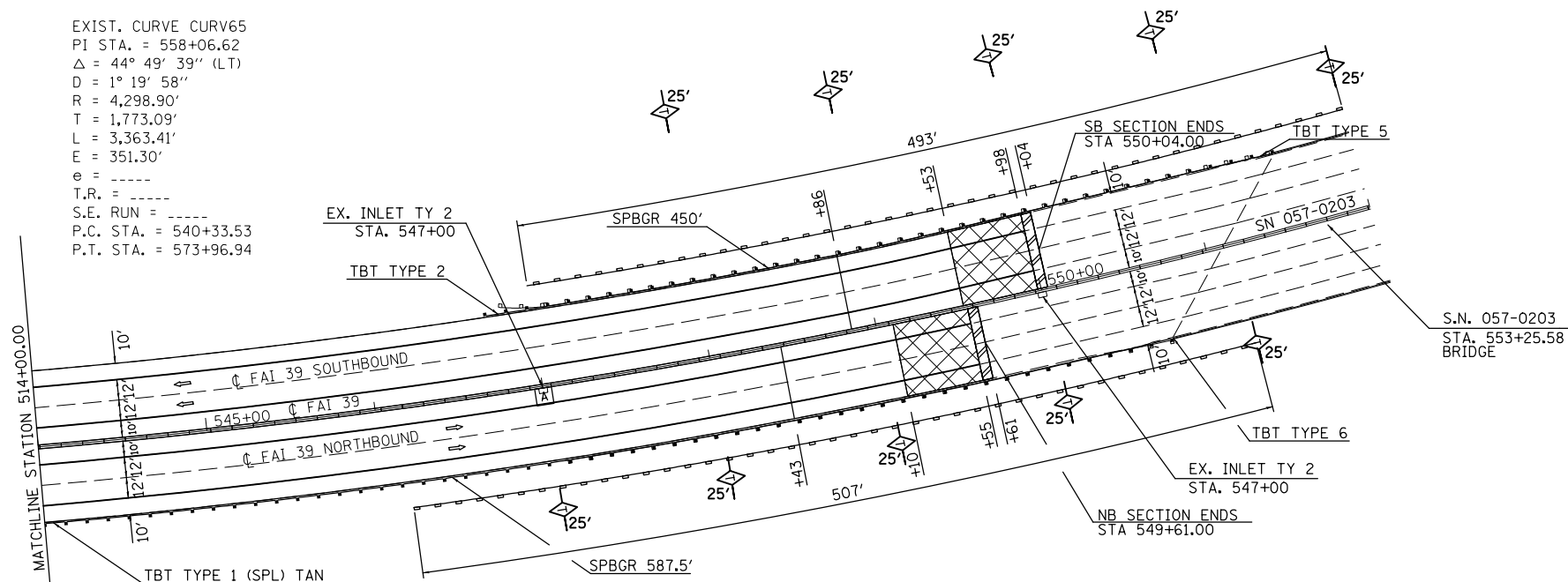
STATE OF ILLINOIS
DEPARTMENT OF TRANSPORTATION

I 39 PLAN SHEET		SCALE:	SHEET 8 OF 9 SHEETS	STA. 499+00 TO STA. 529+00

F.A.I. RTE.	SECTION	COUNTY	TOTAL SHEETS	SHEET NO.
39	(57-3,57-4)RS	MCLEAN	94	40
CONTRACT NO. 70A20				
ILLINOIS FED. AID PROJECT				



EXIST. CURVE CURV65
 P.I. STA. = 558+06.62
 $\Delta = 44^\circ 49' 39''$ (LT)
 $D = 1^\circ 19' 58''$
 $R = 4,298.90'$
 $T = 1,773.09'$
 $L = 3,363.41'$
 $E = 351.30'$
 $e = \dots$
 T.R. = \dots
 S.E. RUN = \dots
 P.C. STA. = 540+33.53
 P.T. STA. = 573+96.94



LEGEND

- PORTLAND CEMENT CONCRETE SURFACE REMOVAL - BUTT JOINT
- CLASS D PATCH, 10"
- TEMPORARY DITCH CHECKS
- FRAMES AND GRATES TO BE ADJUSTED
- PERIMETER EROSION BARRIER

FILE NAME =	USER NAME = bergenej	DESIGNED -	REVISED -
ei:\pwwork\pwwork\bergenej\0373914\0573914\0573914.dgn		DRAWN -	REVISED -
	PLOT SCALE = 100.0000' / 1"	CHECKED -	REVISED -
MODELNAME	PLOT DATE = 3/18/2014	DATE -	REVISED -

STATE OF ILLINOIS
 DEPARTMENT OF TRANSPORTATION

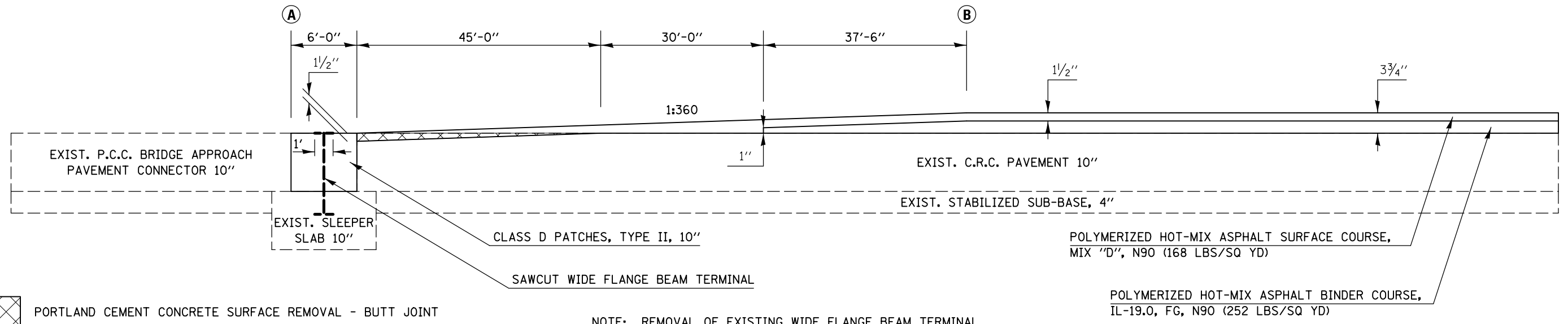
I 39	
PLAN SHEET	
SCALE:	SHEET 9 OF 9 SHEETS STA. 529+00 TO STA. 552+00

F.A.I. RTE.	SECTION	COUNTY	TOTAL SHEETS	SHEET NO.
39	(57-3,57-4)RS	MCLEAN	94	41
CONTRACT NO. 70A20				
ILLINOIS FED. AID PROJECT				

DETAIL FOR I-39 BUTT JOINTS AND PAVING TRANSITIONS

DEPARTURE SN 057-0209

(A)	NORTHBOUND	(B)
STATION	TO	STATION
306+01.00		306+35.80 (BK)
305+66.49 (AH)		306+50.19

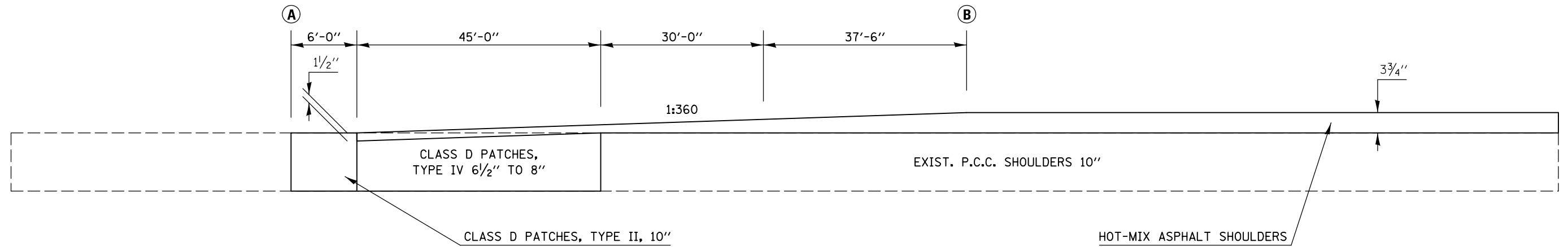


NOTE: REMOVAL OF EXISTING WIDE FLANGE BEAM TERMINAL SHALL BE INCLUDED IN THE COST OF CLASS D PATCHES

DETAIL FOR I-39 SHOULDER BUTT JOINTS AND PAVING TRANSITIONS

DEPARTURE SN 057-0209

(A)	NORTHBOUND	(B)
STATION	TO	STATION
306+01.00		306+35.80 (BK)
305+66.49 (AH)		306+50.19

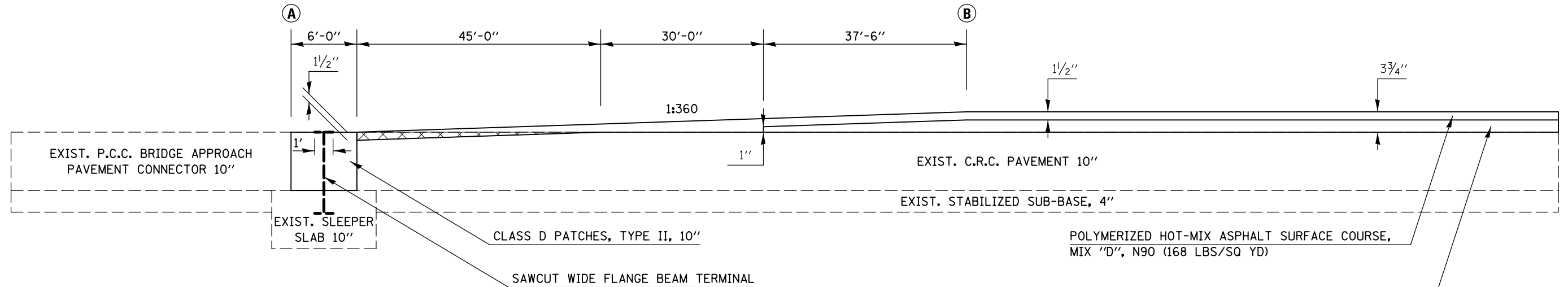


NOTE: CLASS D PATCHES, TYPE IV, 6 1/2" TO 8" SHALL BE PAID FOR AS CLASS D PATCHES, TYPE IV, 8"

FILE NAME =	USER NAME = bergenej	DESIGNED -	REVISED -	STATE OF ILLINOIS DEPARTMENT OF TRANSPORTATION	MILLING AND PAVING TRANSITION DETAILS	F.A.I. RTE.	SECTION	COUNTY	TOTAL SHEETS	SHEET NO.
ci:\pw\work\p\idot\bergenej\d0373914\0570A20-SHT-DETAILS.dgn	DRAWN -	REVISED -	39			(57-3,57-4)RS	MCLEAN	94	42	
PLOT SCALE = 40.0000' / in.	CHECKED -	REVISED -	CONTRACT NO. 70A20							
#MODELNAME#	DATE -	REVISED -	ILLINOIS FED. AID PROJECT							
					SCALE:	SHEET 1 OF 4 SHEETS		STA.	TO STA.	

DETAIL FOR I-39 BUTT JOINTS AND PAVING TRANSITIONS

	(A) <u>STATION</u> SOUTHBOUND <u>TO</u>	(B) <u>STATION</u> (BK)		(A) <u>STATION</u> NORTHBOUND <u>TO</u>	(B) <u>STATION</u>
APPROACH SN 057-0208	306+14.00	306+35.80		APPROACH SN 057-0206	341+34.00
DEPARTURE SN 057-0205	305+66.49 (AH)	306+63.19		DEPARTURE SN 057-0206	345+53.00
APPROACH SN 057-0205	341+13.00	339+94.50		APPROACH SN 057-0203	549+61.00
DEPARTURE SN 057-0203	345+41.00	346+59.50			340+15.50
	550+04.00	548+85.50			346+71.50
					548+42.50

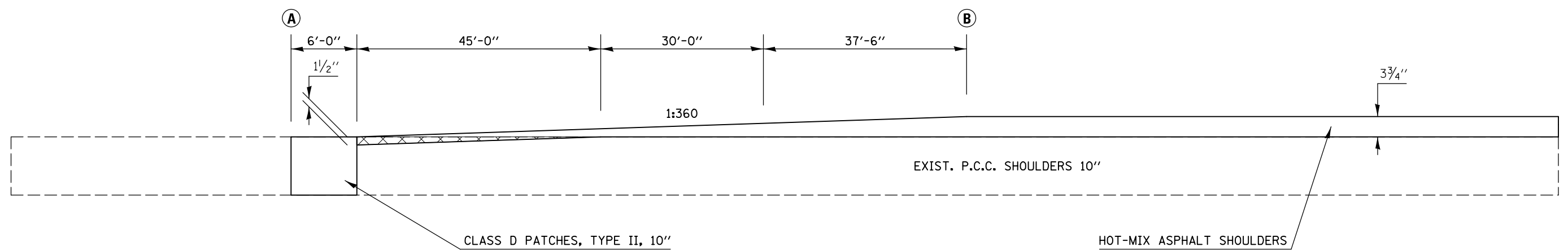


PORTLAND CEMENT CONCRETE SURFACE REMOVAL - BUTT JOINT

NOTE: REMOVAL OF EXISTING WIDE FLANGE BEAM TERMINAL AT TOP OF SLEEPER SLAB SHALL BE INCLUDED IN THE COST OF CLASS D PATCHES

DETAIL FOR I-39 SHOULDER BUTT JOINTS AND PAVING TRANSITIONS

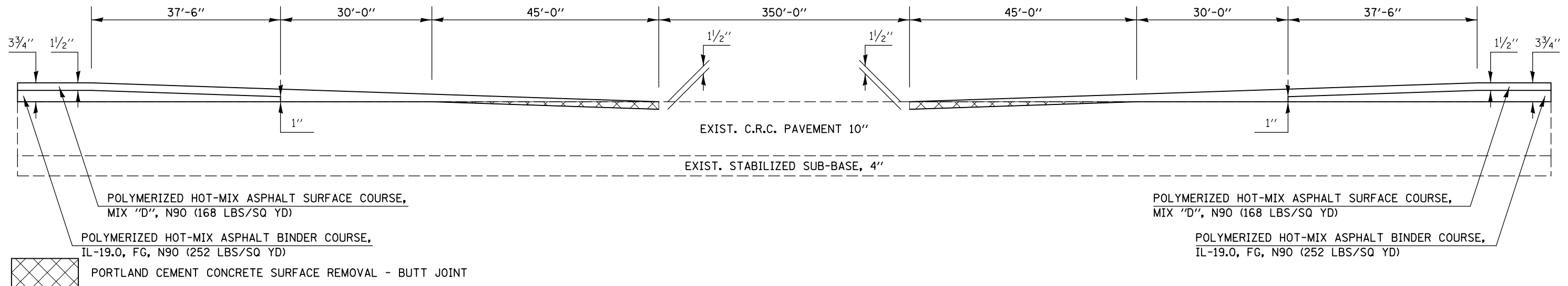
	(A) <u>STATION</u> SOUTHBOUND <u>TO</u>	(B) <u>STATION</u> (BK)		(A) <u>STATION</u> NORTHBOUND <u>TO</u>	(B) <u>STATION</u>
APPROACH SN 057-0208	306+14.00	306+35.80		APPROACH SN 057-0206	341+34.00
DEPARTURE SN 057-0205	305+66.49 (AH)	306+63.19		DEPARTURE SN 057-0206	345+53.00
APPROACH SN 057-0205	341+13.00	339+94.50		APPROACH SN 057-0203	549+61.00
DEPARTURE SN 057-0203	345+41.00	346+59.50			340+15.50
	550+04.00	548+85.50			346+71.50
					548+42.50



PORTLAND CEMENT CONCRETE SURFACE REMOVAL - BUTT JOINT

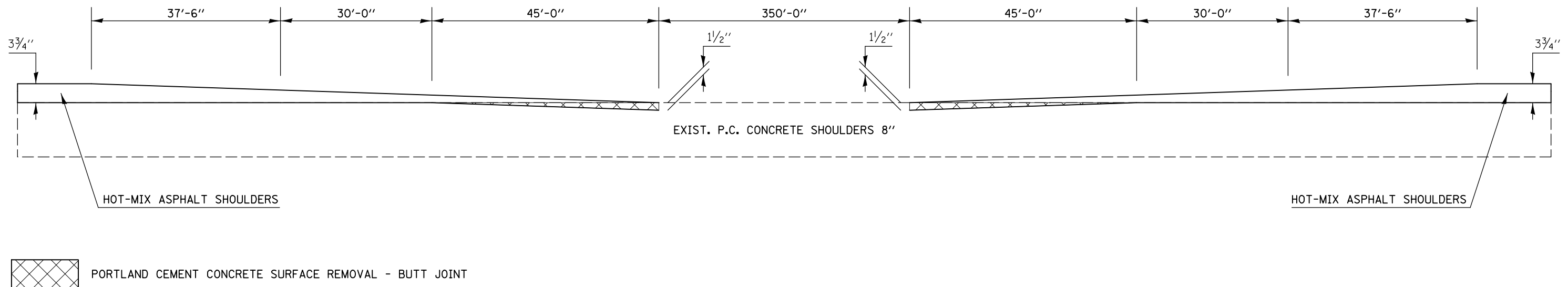
DETAIL FOR I-39 PAVING TRANSITIONS UNDER S.N. 057-0213

STATION 502+18.00 TO STATION 507+93.00 UNDER S.N. 057-0204



DETAIL FOR I-39 SHOULDER PAVING TRANSITIONS UNDER S.N. 057-0213

STATION 502+18.00 TO STATION 507+93.00 UNDER S.N. 057-0204



FILE NAME =	USER NAME = bergenej	DESIGNED -	REVISED -
ei:\pwork\pwork\bergenej\d0373914\057020420-SHT-DETAILS.dgn		DRAWN -	REVISED -
	PLOT SCALE = 40.0000' / in.	CHECKED -	REVISED -
#MODELNAME#	PLOT DATE = 3/18/2014	DATE -	REVISED -

**STATE OF ILLINOIS
DEPARTMENT OF TRANSPORTATION**

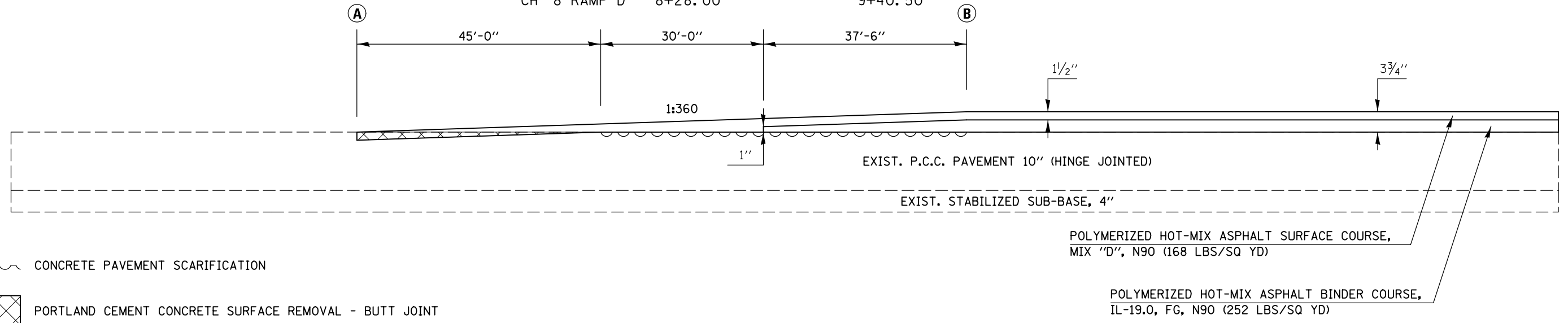
MILLING AND PAVING TRANSITION DETAILS

SCALE: SHEET 3 OF 4 SHEETS STA. TO STA.

F.A.I. RTE.	SECTION	COUNTY	TOTAL SHEETS	SHEET NO.
39	(57-3,57-4)RS	MCLEAN	94	44
CONTRACT NO. 70A20				
ILLINOIS FED. AID PROJECT				

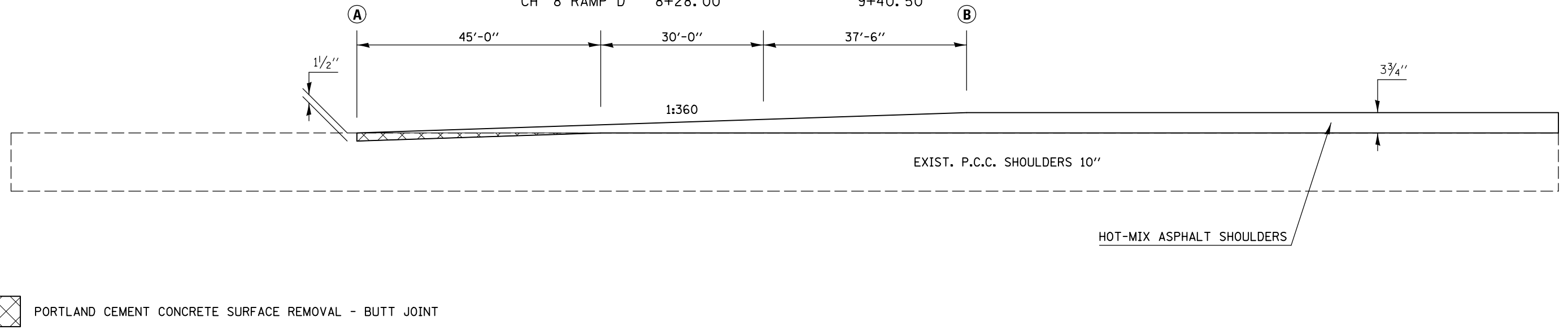
DETAIL FOR I-39 BUTT JOINTS AND PAVING TRANSITIONS

	(A) STATION	RAMPS TO	(B) STATION
CH 12 RAMP A	7+70.00		6+57.50
CH 12 RAMP B	11+68.00		12+80.50
CH 12 RAMP C	7+73.00		6+60.50
CH 12 RAMP D	10+38.00		11+50.50
CH 8 RAMP A	7+03.00		5+90.50
CH 8 RAMP B	9+31.00		10+43.50
CH 8 RAMP C	7+73.00		6+60.50
CH 8 RAMP D	8+28.00		9+40.50

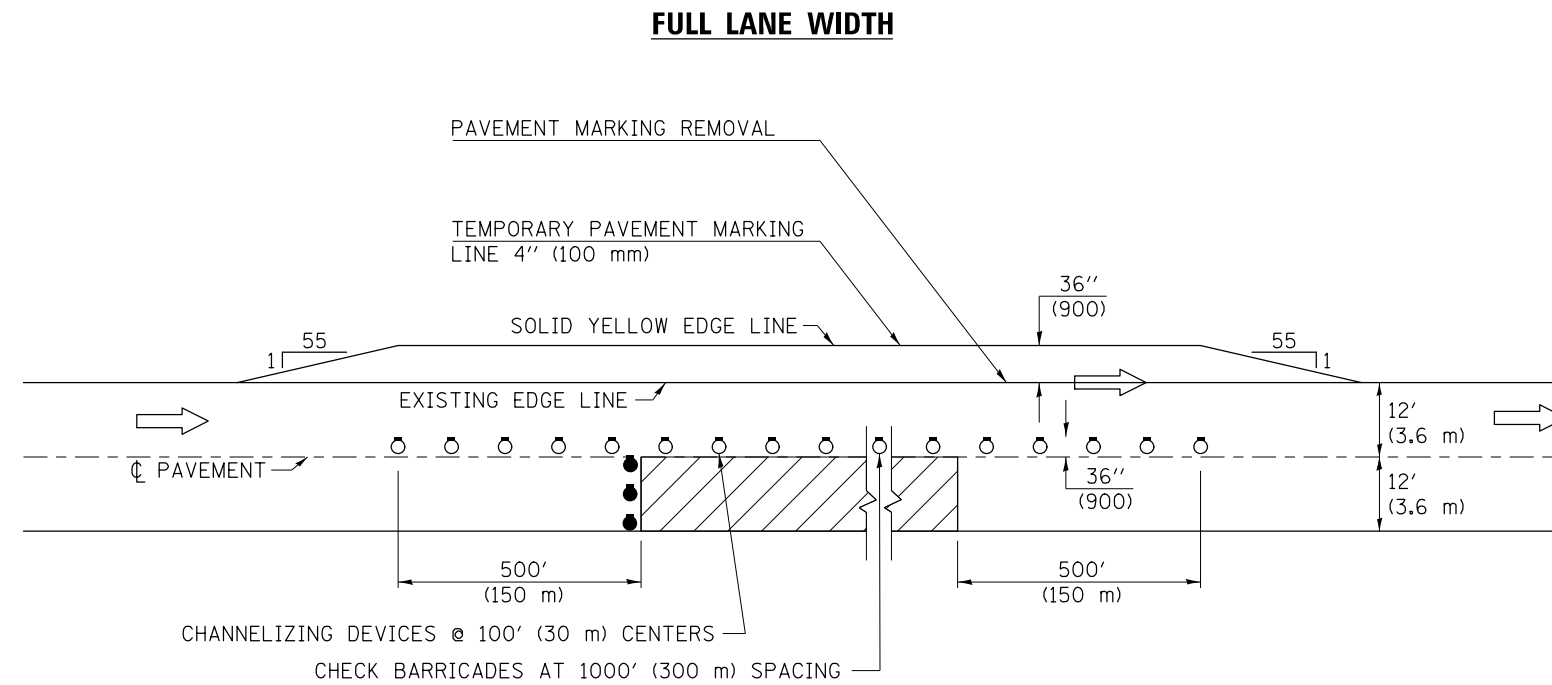


DETAIL FOR I-39 SHOULDER BUTT JOINTS AND PAVING TRANSITIONS

	(A) STATION	RAMPS TO	(B) STATION
CH 12 RAMP A	7+70.00		6+57.50
CH 12 RAMP B	11+68.00		12+80.50
CH 12 RAMP C	7+73.00		6+60.50
CH 12 RAMP D	10+38.00		11+50.50
CH 8 RAMP A	7+03.00		5+90.50
CH 8 RAMP B	9+31.00		10+43.50
CH 8 RAMP C	7+73.00		6+60.50
CH 8 RAMP D	8+28.00		9+40.50



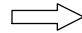
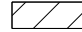


TYPICAL APPLICATIONS DRIVING LANE WORK



TRAFFIC CONTROL DETAILS NOT SHOWN SHALL BE ACCORDING TO TRAFFIC CONTROL STANDARD 701401.

AT RAMPS, THE OVERLAY WORK AREA SHALL BE STAGED TO COORDINATE WITH STANDARD 701411.

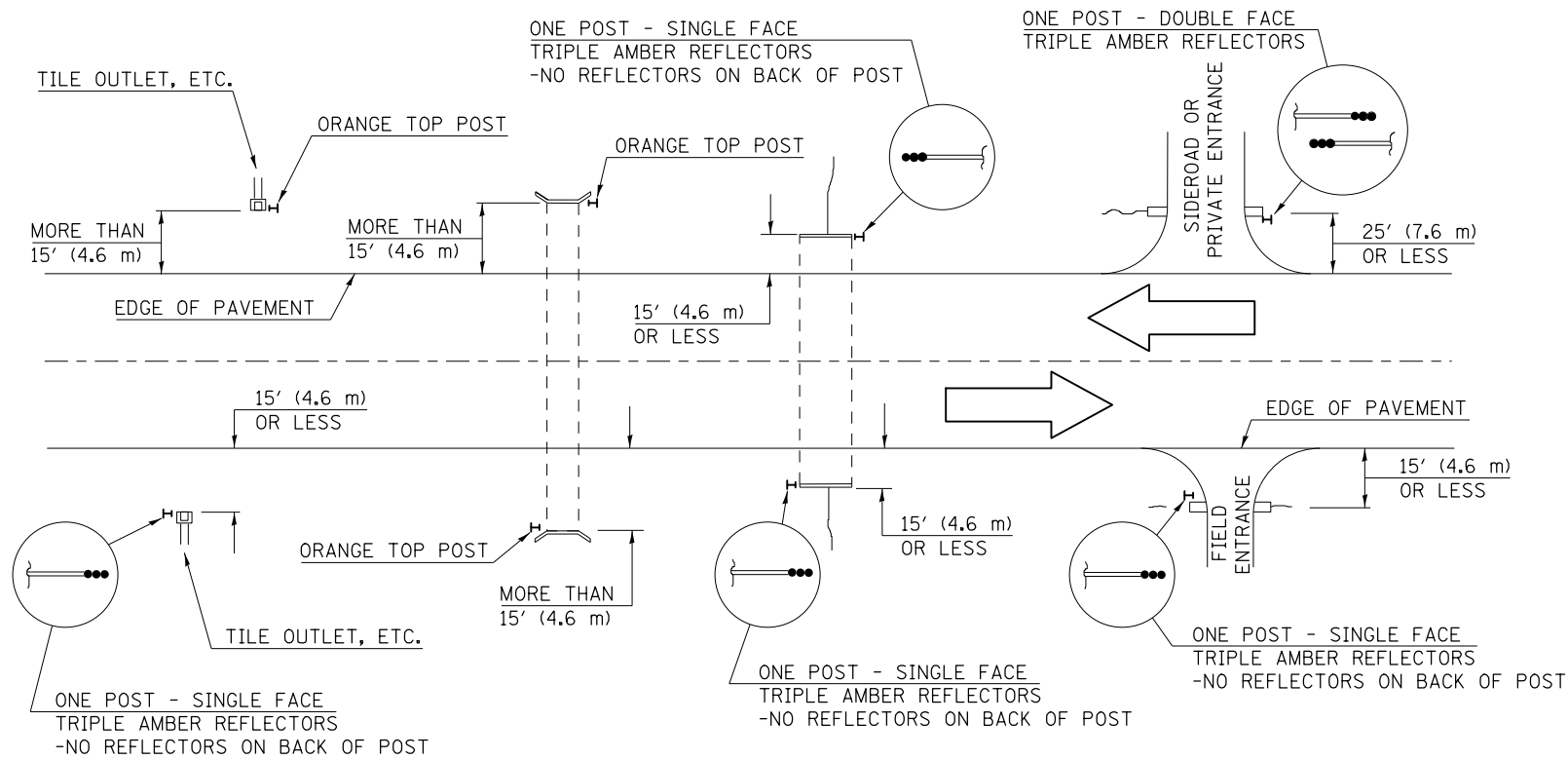
PASSING LANE CLOSURES SHALL BE SIMILAR. THE TEMPORARY PAVEMENT MARKING LINE 4" (100 mm) SHALL BE A SOLID WHITE LINE.

SYMBOLS	
	DIRECTION OF TRAVEL
	WORK AREA
	DRUM WITH STEADY BURN MONODIRECTIONAL LIGHT
	HIGH INTENSITY REFLECTORIZED VERTICAL BARRICADE WITH STEADY BURN MONODIRECTIONAL LIGHT

Note: All dimensions are in INCHES (millimeters) unless otherwise shown.

FILE NAME =	USER NAME = berganej	DESIGNED -	REVISED -	STATE OF ILLINOIS DEPARTMENT OF TRANSPORTATION	TRAFFIC CONTROL AND PROTECTION, STANDARD 701401 (SPECIAL)	F.A.I. RTE.	SECTION	COUNTY	TOTAL SHEETS	SHEET NO.	
		DRAWN -	REVISED -			39	(57-3,57-4)RS	MCLEAN	94	46	
	PLOT SCALE = 40.0000' / in.	CHECKED -	REVISED -			CONTRACT NO. 70A20					
	PLOT DATE = 3/18/2014	DATE -	REVISED -			ILLINOIS FED. AID PROJECT					
					SCALE:	SHEET	OF	SHEETS	STA.	TO STA.	

IDENTIFICATION OF ROADSIDE HAZARDS FOR TWO-LANE ROADWAYS



BILL OF MATERIALS

DELINEATOR TYPE	SINGLE FACE	DOUBLE FACE	NO REFLECTOR	TOTAL DELINEATORS
SINGLE CRYSTAL		N/A	N/A	
DOUBLE CRYSTAL			N/A	
SINGLE AMBER			N/A	
DOUBLE AMBER		N/A	N/A	
TRIPLE AMBER			N/A	
ORANGE TOP	N/A	N/A		
			TOTAL	

NOTES

DELINEATORS FOR ROADSIDE HAZARDS SHALL ONLY BE PLACED AT LOCATIONS WHERE THERE IS NO GUARDRAIL, OR OTHER PERMANENT BARRIER, ON THE SAME SIDE OF ROAD AS THE HAZARD.

DELINEATORS FOR ROADSIDE HAZARDS SHALL ONLY BE PLACED AT LOCATIONS WHERE DELINEATORS ARE NOT IN PLACE ALONG THE EDGE OF SHOULDER.

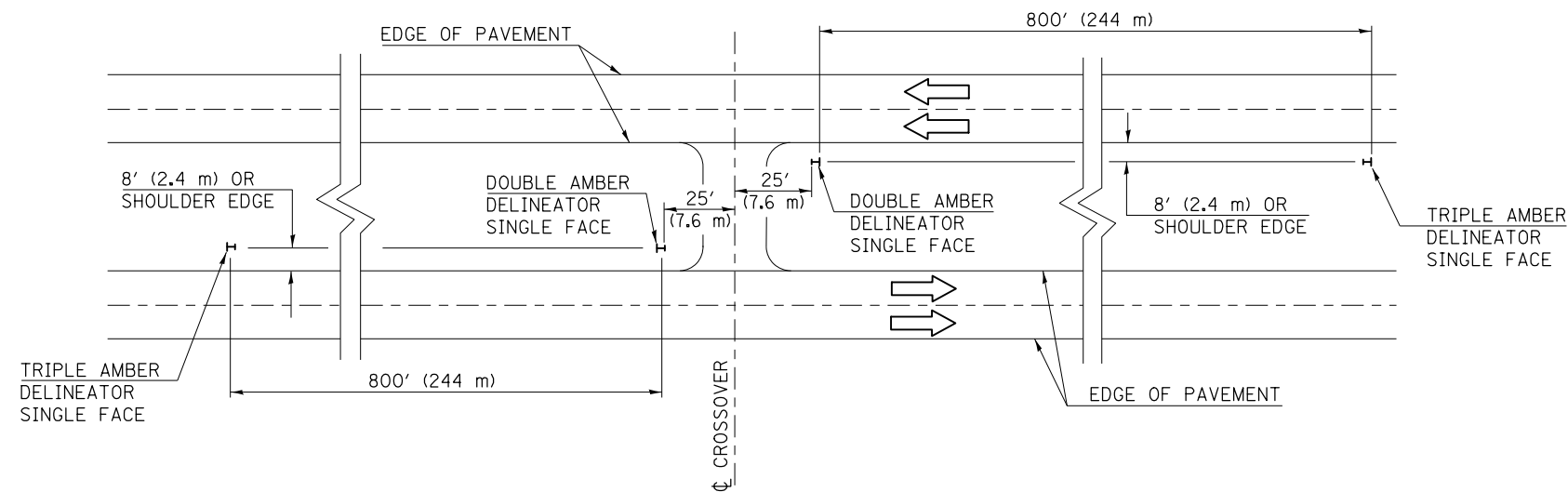
EACH POST SHALL BE CONSIDERED AS ONE DELINEATOR FOR PAYMENT, REGARDLESS OF THE NUMBER OF DELINEATORS ATTACHED TO IT.

POSTS INDICATED AS "ORANGE TOP" SHALL HAVE NO REFLECTORS. THEY SHALL HAVE THE TOP 12" (300 mm) (MINIMUM) OF THE POST PAINTED A BRIGHT ORANGE COLOR SIMILAR TO CONSTRUCTION SIGNS, AND SHALL MEET THE APPROVAL OF THE ENGINEER. FLUORESCENT PAINT OR OTHER SPECIAL RETROREFLECTIVE COATINGS WILL NOT BE REQUIRED.

FOR ONE-WAY ROADWAYS THE APPLICATION SHALL BE SIMILAR WITH DELINEATORS PLACED ON THE TRAFFIC APPROACH SIDE OF HAZARDS AND OBJECTS. ONLY SINGLE FACE DELINEATORS WILL BE REQUIRED ON ONE-WAY ROADWAYS.

FOR OTHER DELINEATOR APPLICATIONS, REFER TO HIGHWAY STANDARD 635001.

MEDIAN DELINEATORS AT CROSSOVER
(FOR INTERSTATES, EXPRESSWAYS, DUAL HIGHWAYS)



Note: All dimensions are in INCHES (millimeters) unless otherwise shown.

DISTRICT 5 DETAIL NO. 63500105

FILE NAME =	USER NAME = bergana.j	DESIGNED -	REVISED - 12/06
et:\pwork\pwork\berganaj\0373914\0570020-SHT-DETAILS.dgn		DRAWN -	REVISED -
	PLOT SCALE = 40.0000' / in.	CHECKED -	REVISED -
	PLOT DATE = 3/18/2014	DATE -	REVISED -

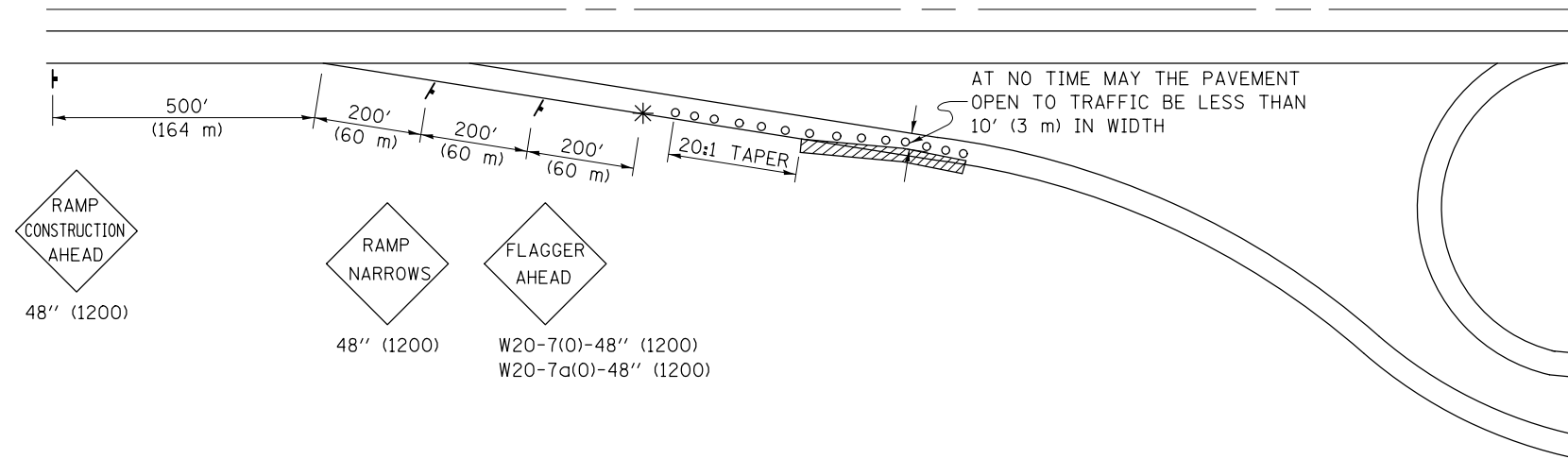
STATE OF ILLINOIS
DEPARTMENT OF TRANSPORTATION

DELINEATORS

SCALE: SHEET OF SHEETS STA. TO STA.

F.A.I. RTE.	SECTION	COUNTY	TOTAL SHEETS	SHEET NO.
39	(57-3,57-4)RS	MCLEAN	94	47
FED. ROAD DIST. NO. ILLINOIS FED. AID PROJECT			CONTRACT NO. 70A20	

**DAY OPERATION ONLY
PARTIAL RAMP CLOSURE**



SYMBOLS

- TYPE I OR II BARRICADES OR DRUMS @ 50' (15 m) CTS.
- * FLAGGER PLACED AS DIRECTED BY THE ENGINEER
- † SIGN ON PORTABLE OR PERMANENT SUPPORT
- ▨ WORK AREA

TYPICAL APPLICATIONS

- PAVEMENT PATCHING
- PIPE UNDERDRAINS
- HMA RESURFACING

GENERAL NOTES

CONSTRUCTION OPERATIONS SHALL BE CONFINED TO AN AREA NARROW ENOUGH THAT A MINIMUM OF 10' (3 m) OF PAVEMENT SHALL BE OPEN TO TRAFFIC AT ALL TIMES.

FULL WIDTH PAVEMENT ON THE RAMPS SHALL BE OPEN TO TRAFFIC AT NIGHT.

WHEN NO WORK IS BEING PERFORMED, THE FLAGGER WILL NOT BE REQUIRED. IF THE FLAGGER IS NOT PRESENT, THE FLAGGER SIGNS SHALL BE REMOVED OR COVERED.

ALL SIGNS SHALL BE POST MOUNTED IF WORK IN THE AREA EXCEEDS FOUR DAYS OF DAYTIME OPERATIONS.

LONGITUDINAL DIMENSIONS MAY BE ADJUSTED SLIGHTLY TO FIT FIELD CONDITIONS.

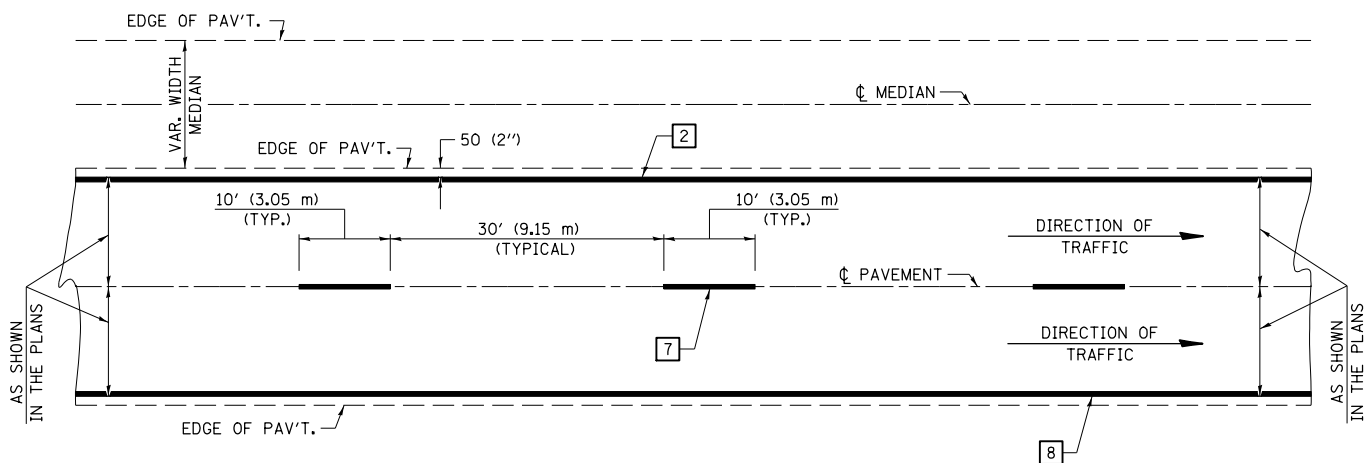
ALL VEHICLES, EQUIPMENT, WORKERS (EXCEPT FLAGGER) AND THEIR ACTIVITIES ARE RESTRICTED AT ALL TIMES TO ONE SIDE OF THE PAVEMENT UNLESS OTHERWISE AUTHORIZED BY THE DISTRICT ENGINEER.

Traffic Control for all ramps shall be in accordance with the appropriate application of plan detail **TRAFFIC CONTROL FOR RAMPS** and will not be paid for separately, but shall be included in the contract lump sum price for Traffic Control and Protection, (Special).

Note: All dimensions are in INCHES (millimeters) unless otherwise shown.

FILE NAME =	USER NAME = bergenej	DESIGNED -	REVISED - 11/06	STATE OF ILLINOIS DEPARTMENT OF TRANSPORTATION	TRAFFIC CONTROL FOR RAMPS			F.A.I. RTE.	SECTION	COUNTY	TOTAL SHEETS	SHEET NO.
et:\pwork\pwork\bergenej\d0373914\057020-SHT-DETAILS.dgn	DRAWN -	REVISED - BJH 1/29/13	39					(57-3,57-4)RS	MCLEAN	94	48	
PLOT SCALE = 40.0000' / in.	CHECKED -	REVISED -	CONTRACT NO. 70A20									
PLOT DATE = 3/18/2014	DATE -	REVISED -	SCALE:		SHEET 1 OF 1 SHEETS	STA. TO STA.	FED. ROAD DIST. NO.	ILLINOIS FED. AID PROJECT				

CENTERLINE INTERSTATE OR MULTI-LANE TWO WAY DIVIDED HIGHWAY

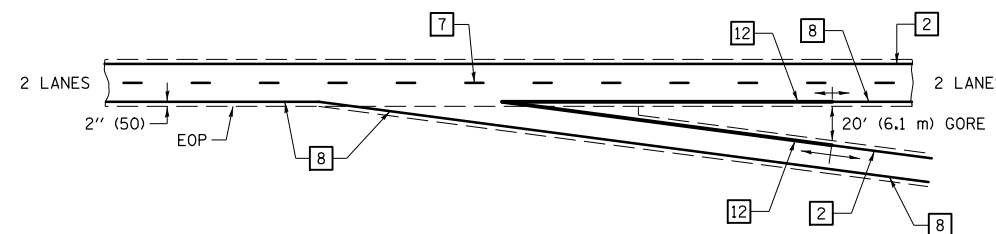


NOTE: PAVEMENT MARKINGS ARE TO BE EXTENDED THROUGH OMISSIONS WHEN APPLICABLE.

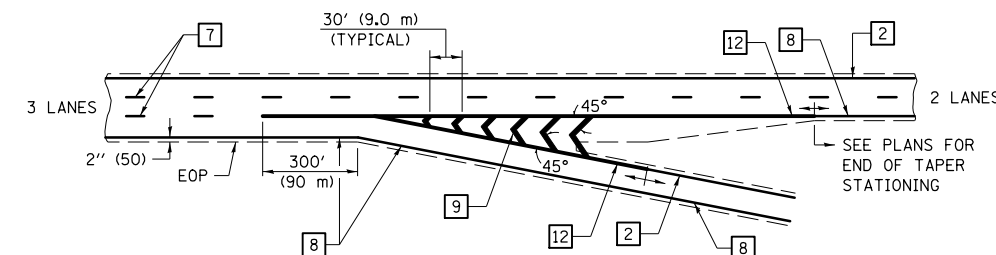
NOTE: SEE ARTICLES 780.04 & 781.03 FOR LOCATION OF STRIPES AND MARKERS RELATIVE TO EDGES OR JOINTS.

FOR RAISED REFLECTIVE PAVEMENT MARKERS, REFER TO STANDARD 781001.

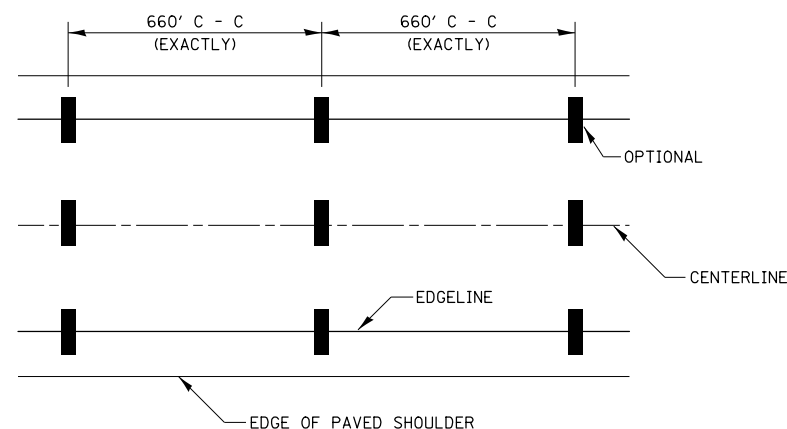
TYPICAL EXIT RAMP TERMINAL



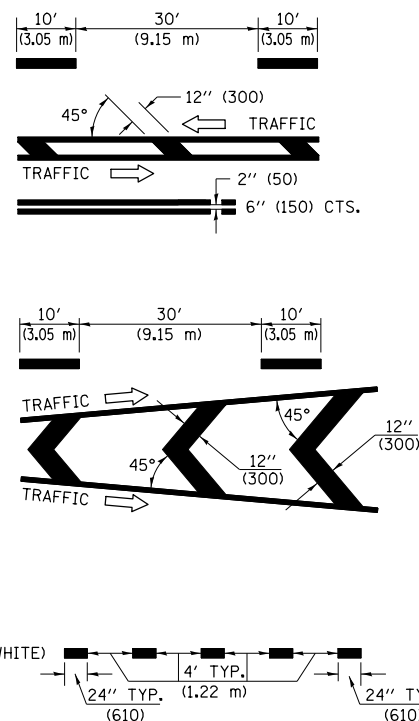
EXIT RAMP TERMINAL with EXCLUSIVE (auxiliary) LANE



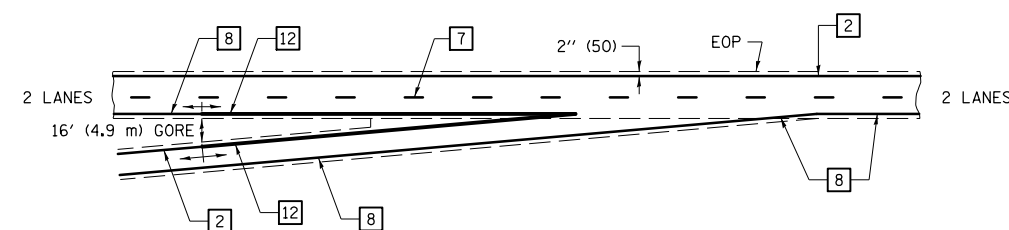
TYPICAL PAVEMENT MARKING LEGEND



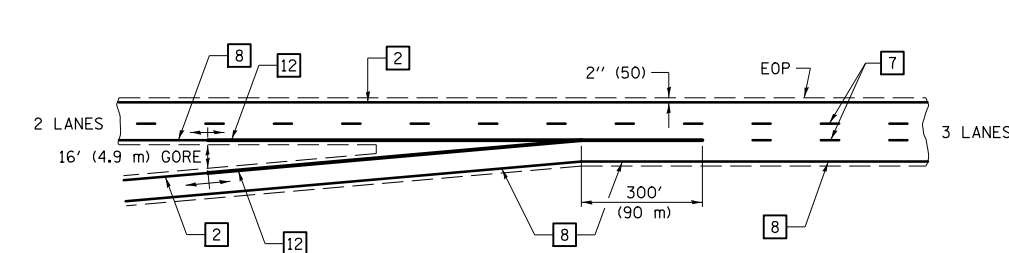
- 1 4" (100) SKIP-DASH (YELLOW)
- 2 4" (100) SOLID (YELLOW)
- 3 12" (300) DIAGONAL (YELLOW)
- 4 4" (100) DOUBLE YELLOW (NARROW)
- 5 RESERVED
- 6 RESERVED
- 7 4" (100) SKIP-DASH (WHITE)
- 8 4" (100) SOLID (WHITE)
- 9 12" (300) DIAGONAL (WHITE)
- 10 6" (150) SOLID (WHITE)
- 11 24" (600) STOP BAR (WHITE)
- 12 8" (200) SOLID (WHITE)
- 13 4" (100) LANE LINE EXTENSIONS (WHITE)



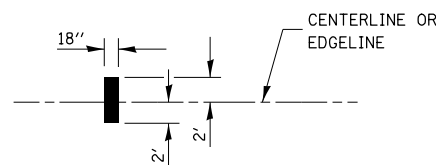
TYPICAL ENTRANCE RAMP TERMINAL



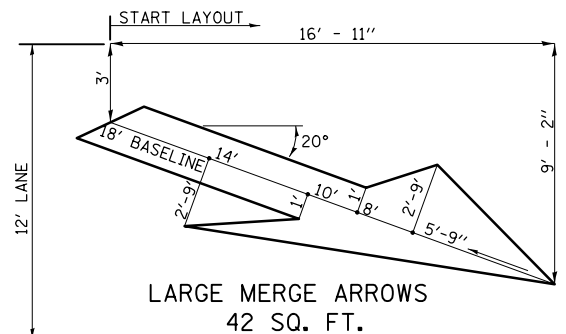
ENTRANCE RAMP TERMINAL with EXCLUSIVE LANE



IT WILL BE NECESSARY TO HAVE A REPRESENTATIVE OF THE STATE POLICE PRESENT SO THAT THE ACCURACY OF MEASUREMENT CAN BE ATTESTED TO IN COURT.



AERIAL SPEED CHECK ZONES



LARGE MERGE ARROWS
42 SQ. FT.

Note: All dimensions are in INCHES (millimeters) unless otherwise shown.

FILE NAME =	USER NAME = bergena.j	DESIGNED -	REVISED - 11/06
et:\pw\work\p\idot\bergena.j\0373914\057820-SHT-DETAILS.dgn		DRAWN -	REVISED -
		CHECKED -	REVISED -
		DATE -	REVISED -

STATE OF ILLINOIS
DEPARTMENT OF TRANSPORTATION

PAVEMENT MARKING (INTERSTATE & MULTI-LANE APPLICATIONS)

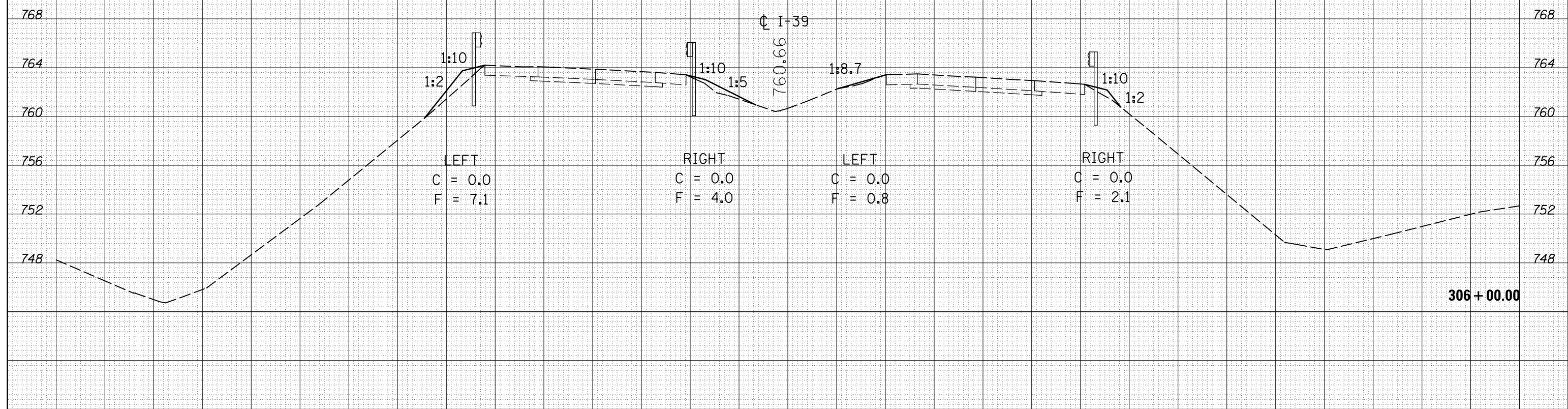
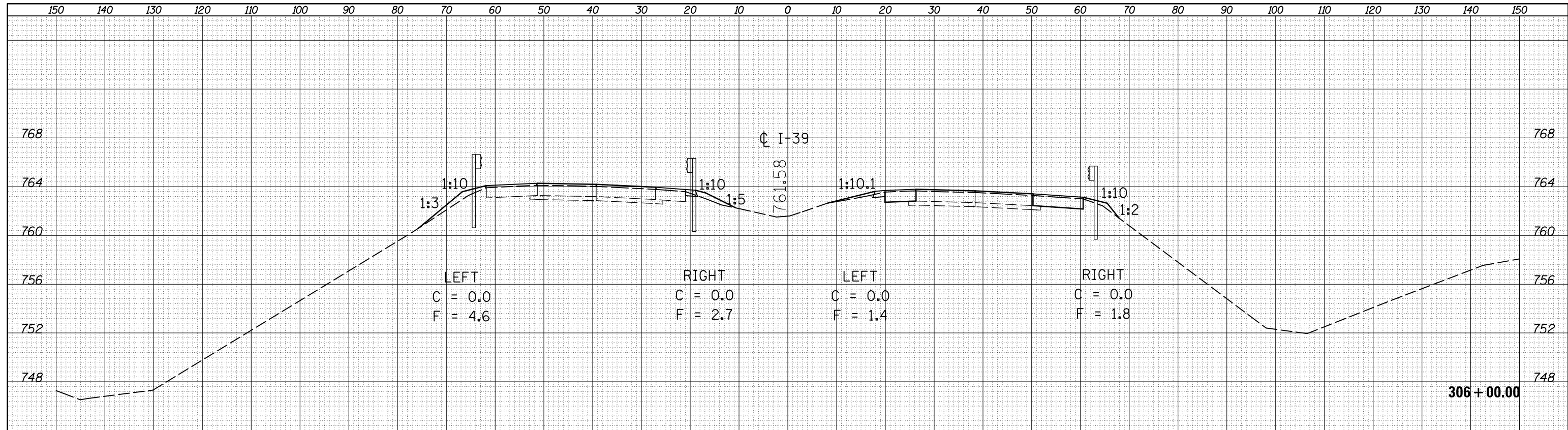
SCALE: SHEET OF SHEETS STA. TO STA.

DISTRICT 5 DETAIL NO. 7800BBBB

F.A.I. RTE.	SECTION	COUNTY	TOTAL SHEETS	SHEET NO.
39	(57-3,57-4)RS	MCLEAN	94	49
CONTRACT NO. 70A20				
FED. ROAD DIST. NO. ILLINOIS FED. AID PROJECT				

DATE	
BY	
SURVEYED	
PLOTTED	
TEMPLATE	
AREAS	
CHECKED	
FINAL SURVEY NO.	
NOTE BOOK NO.	
AREAS CHECKED	

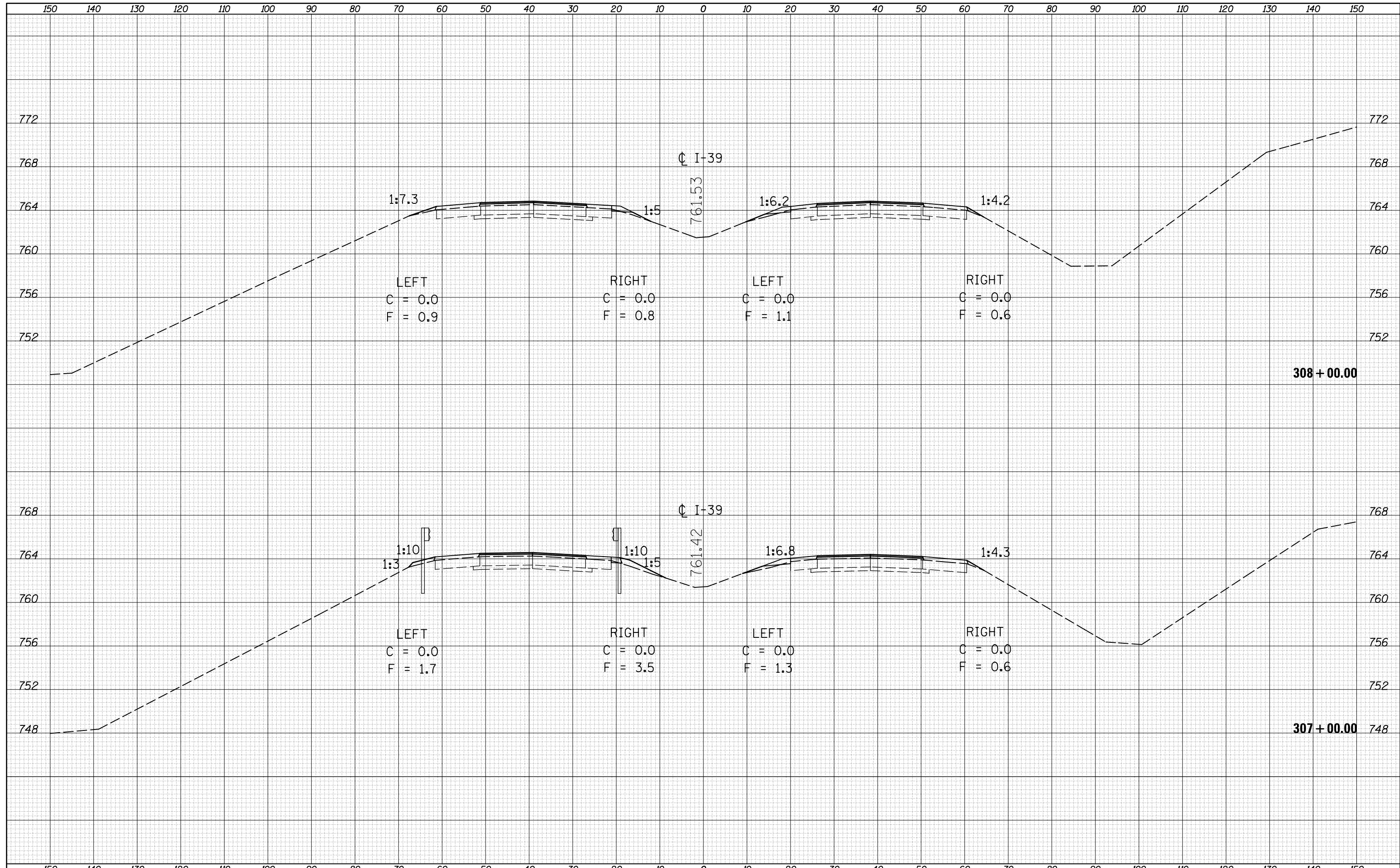
DATE	
BY	
SURVEYED	
PLOTTED	
TEMPLATE	
AREAS	
CHECKED	
ORIGINAL SURVEY NO.	
NOTE BOOK NO.	
AREAS CHECKED	



FILE NAME =	USER NAME = berganaj	DESIGNED -	REVISED -	STATE OF ILLINOIS DEPARTMENT OF TRANSPORTATION	CROSS SECTION SHEETS (I-39 - CRC SECTION)	F.A.I. RTE.	SECTION	COUNTY	TOTAL SHEETS	SHEET NO.
es:\pw_work\pwidot\berganaj\d8373914\0570A20-SH	T-XS-I39_Location_2.dgn	DRAWN -	REVISED -			39	(57-3,57-4)RS	MCLEAN	94	50
	PLOT SCALE = 20.0000' / in.	CHECKED -	REVISED -			CONTRACT NO. 70A20				
MODELNAME	PLOT DATE = 3/18/2014	DATE -	REVISED -			ILLINOIS FED. AID PROJECT				
SCALE:						SHEET 1 OF 45 SHEETS STA. 306+00.00 TO STA. 306+00.00				

DATE	
BY	
SURVEYED	
PLOTTED	
TEMPLATE	
AREAS	
CHECKED	
FINAL SURVEY	
NOTE BOOK	
NO.	

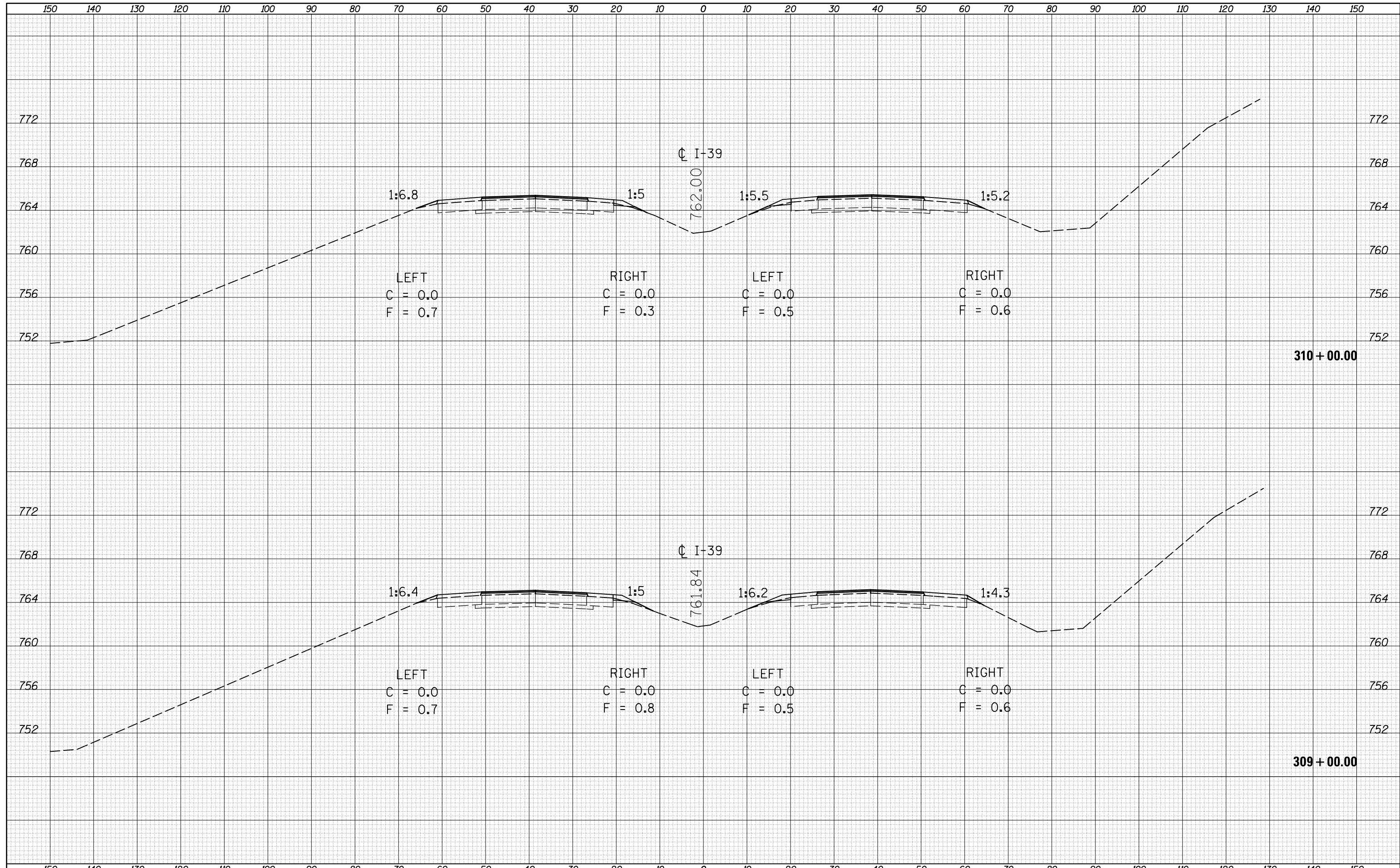
DATE	
BY	
SURVEYED	
PLOTTED	
TEMPLATE	
AREAS	
CHECKED	
ORIGINAL SURVEY	
NOTE BOOK	
NO.	



FILE NAME =	USER NAME = berganaj	DESIGNED -	REVISED -	STATE OF ILLINOIS DEPARTMENT OF TRANSPORTATION	CROSS SECTION SHEETS (I-39 - CRC SECTION)	F.A.I. RTE.	SECTION	COUNTY	TOTAL SHEETS	SHEET NO.	
c:\pw_work\pwwork\berganaj\d8373914\0570A20-SH	T-XS-I39_Location_2.dgn	DRAWN -	REVISED -			39	(57-3,57-4)RS	MCLEAN	94	51	
	PLOT SCALE = 20.0000' / in.	CHECKED -	REVISED -			CONTRACT NO. 70A20					
MODELNAME	PLOT DATE = 3/18/2014	DATE -	REVISED -			SCALE:	SHEET 2 OF 45 SHEETS	STA. 307+00.00 TO STA. 308+00.00		ILLINOIS FED. AID PROJECT	

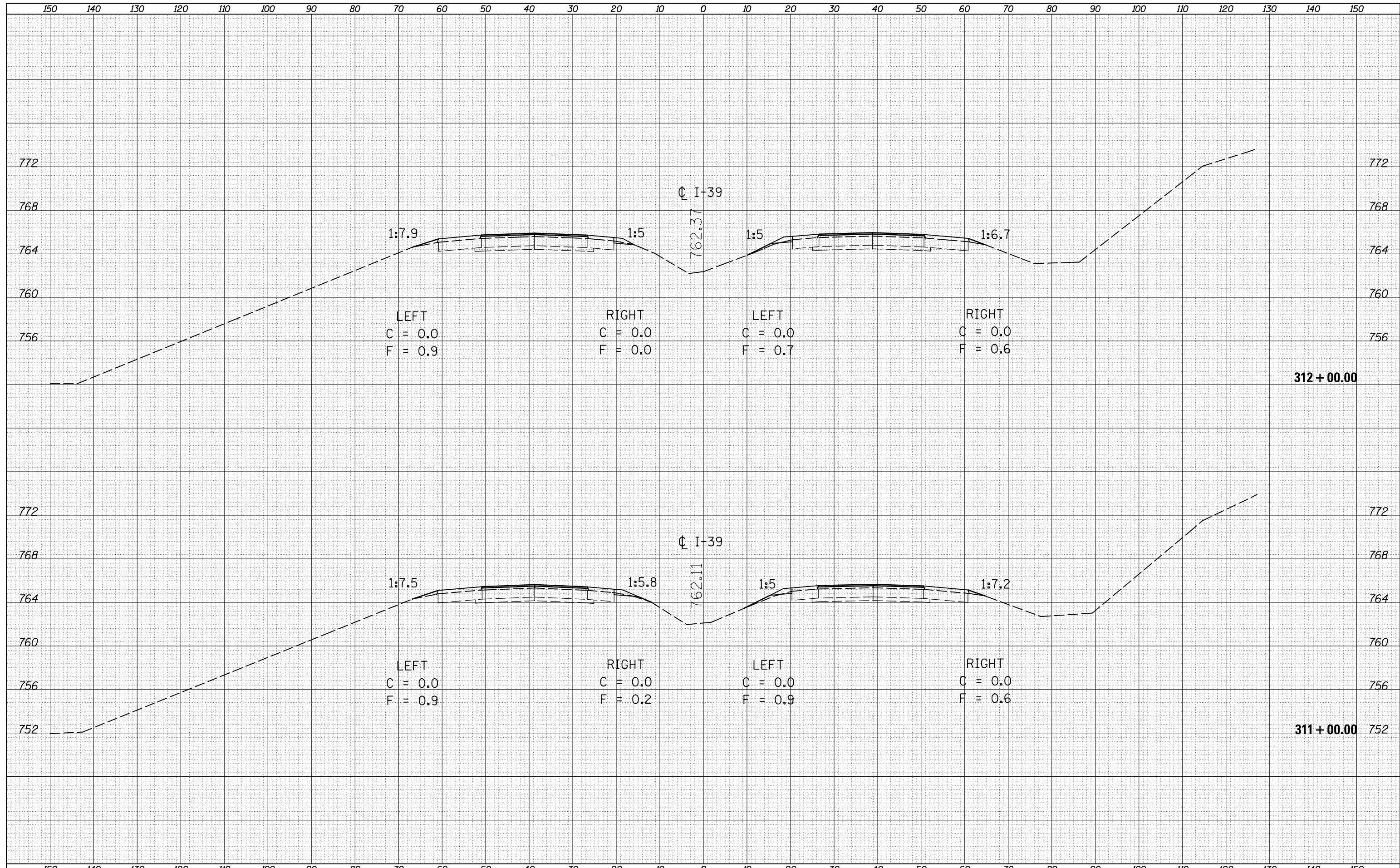
DATE	
BY	
SURVEYED	
PLOTTED	
TEMPLATE	
AREAS	
CHECKED	
FINAL SURVEY	
NOTE BOOK	
NO.	

DATE	
BY	
SURVEYED	
PLOTTED	
TEMPLATE	
AREAS	
CHECKED	
ORIGINAL SURVEY	
NOTE BOOK	
NO.	



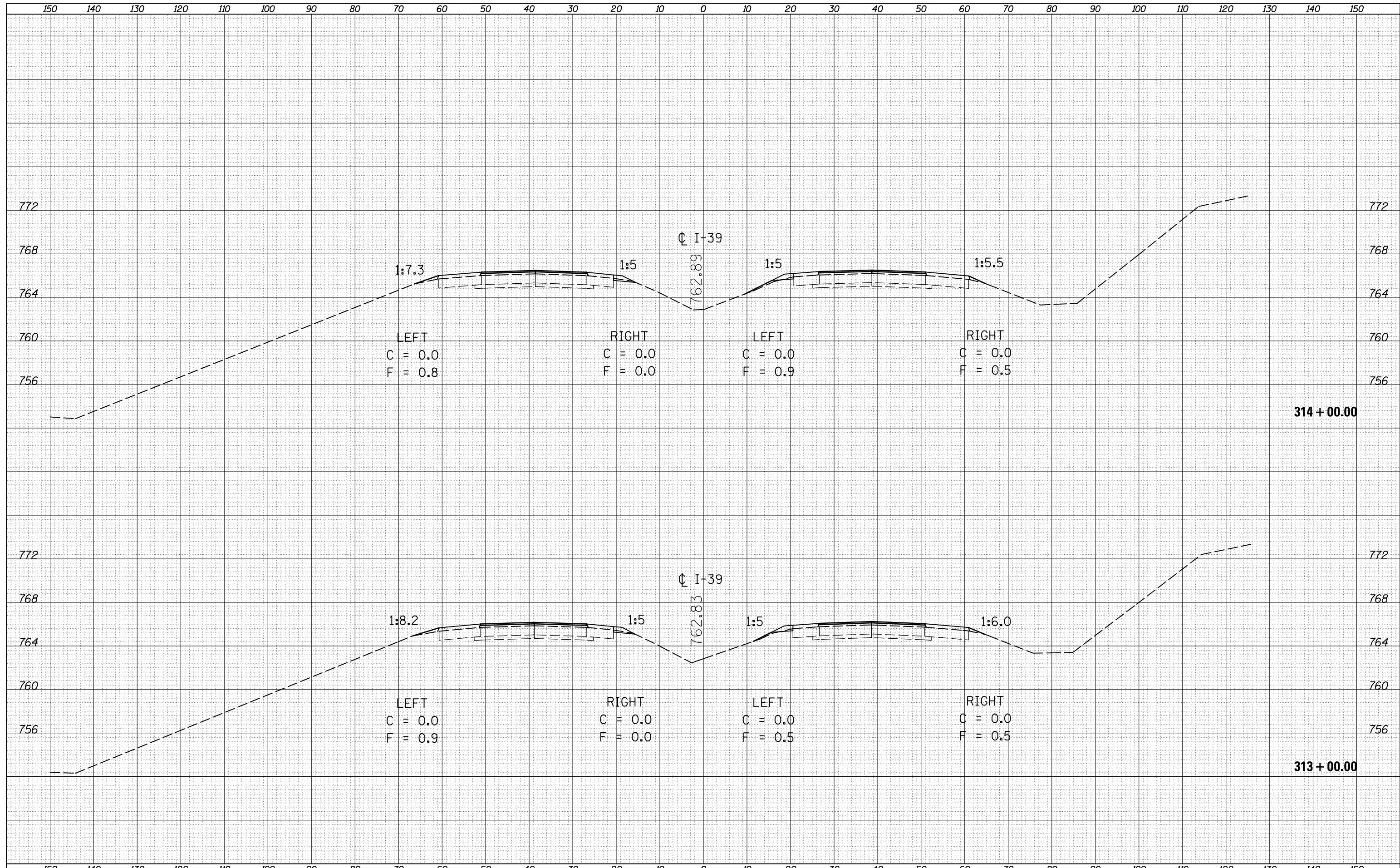
DATE	
BY	
SURVEYED	
PLOTTED	
TEMPLATE	
AREAS	
CHECKED	
FINAL SURVEY	
NOTE BOOK	
NO.	

DATE	
BY	
SURVEYED	
PLOTTED	
TEMPLATE	
AREAS	
CHECKED	
ORIGINAL SURVEY	
NOTE BOOK	
NO.	



DATE	
BY	
SURVEYED	
PLOTTED	
TEMPLATE	
AREAS	
CHECKED	
FINAL SURVEY	
NOTE BOOK	
NO.	

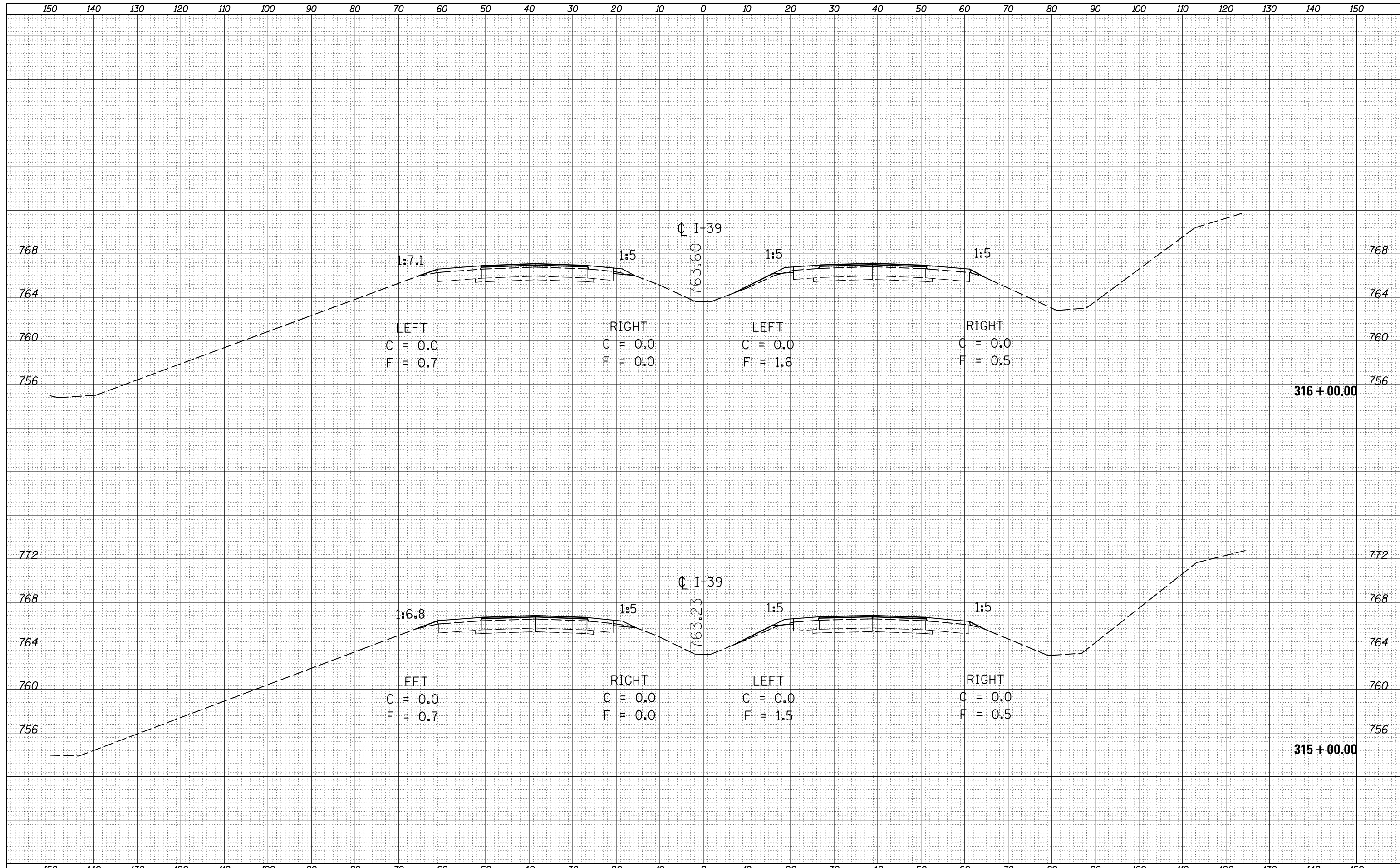
DATE	
BY	
SURVEYED	
PLOTTED	
TEMPLATE	
AREAS	
CHECKED	
ORIGINAL SURVEY	
NOTE BOOK	
NO.	



FILE NAME =	USER NAME = berganaj	DESIGNED -	REVISED -	STATE OF ILLINOIS DEPARTMENT OF TRANSPORTATION	CROSS SECTION SHEETS (I-39 - CRC SECTION)	F.A.I. RTE.	SECTION	COUNTY	TOTAL SHEETS	SHEET NO.
c:\pw_work\pwidot\berganaj\d8373914\0570A20-SH	T-XS-I39_Location_2.dgn	DRAWN -	REVISED -			39	(57-3,57-4)RS	MCLEAN	94	54
	PLOT SCALE = 20.0000' / in.	CHECKED -	REVISED -			CONTRACT NO. 70A20				
MODELNAME	PLOT DATE = 3/18/2014	DATE -	REVISED -			SCALE:	SHEET 5 OF 45 SHEETS	STA. 313+00.00 TO STA. 314+00.00	ILLINOIS FED. AID PROJECT	

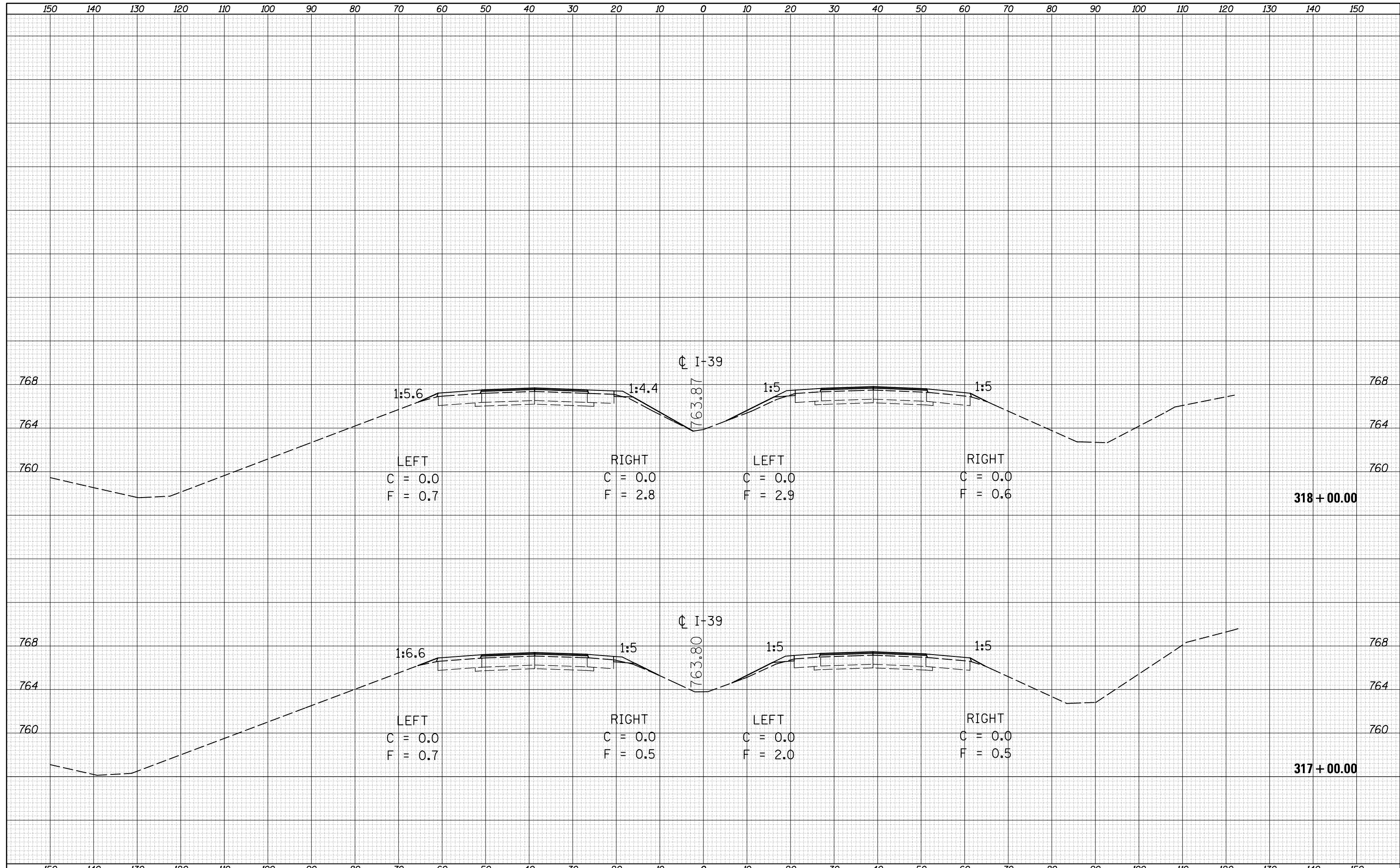
DATE	
BY	
FINAL SURVEY	
SURVEYED	
NOTE BOOK	
PLOTTED	
TEMPLATE	
AREAS	
CHECKED	
NO.	

DATE	
BY	
ORIGINAL SURVEY	
SURVEYED	
NOTE BOOK	
PLOTTED	
TEMPLATE	
AREAS	
CHECKED	
NO.	



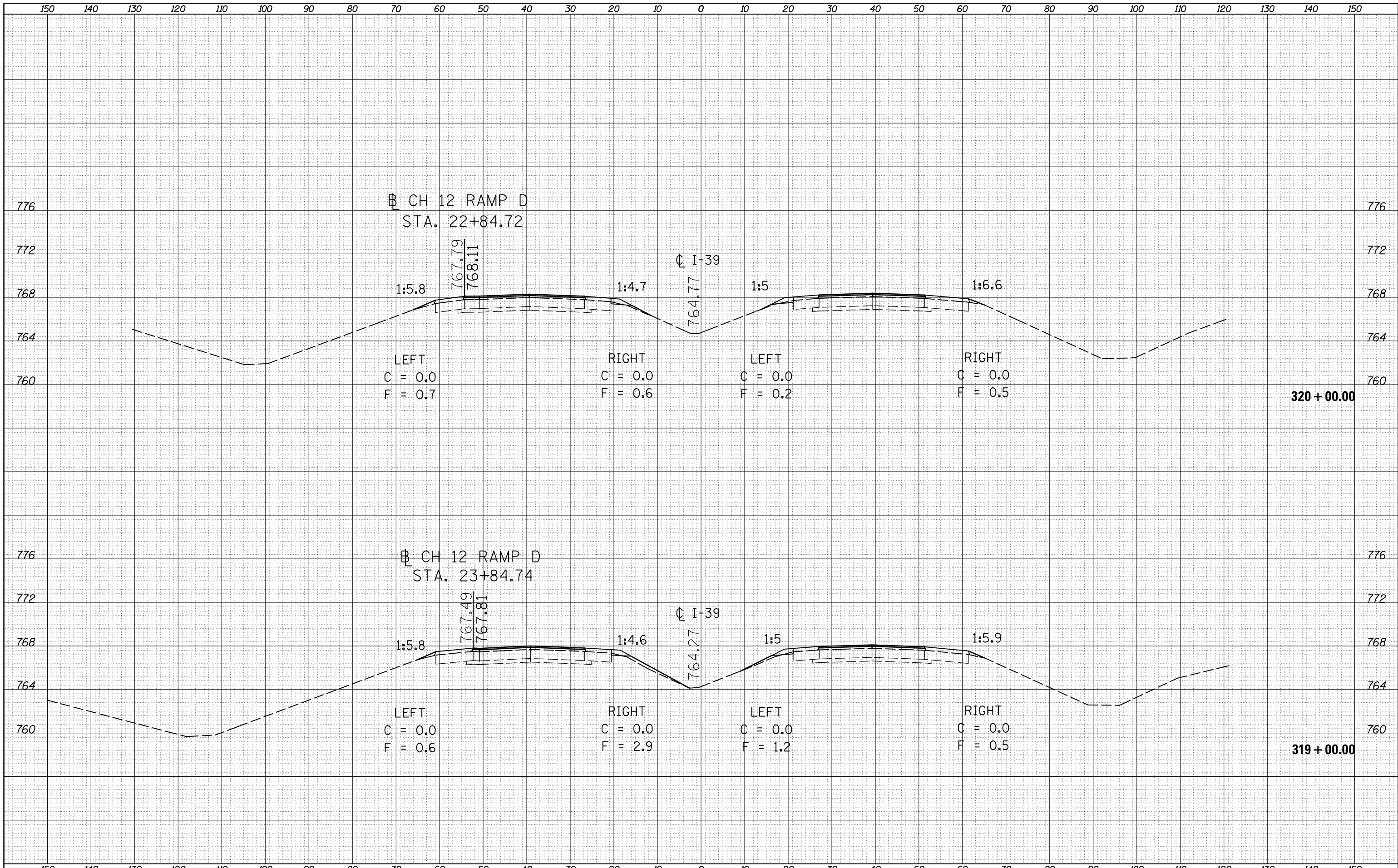
DATE	
BY	
FINAL SURVEY NO.	
SURVEYED AREAS	
PLOTTED AREAS	
TEMPLATE AREAS	
NOTED AREAS	
CHECKED AREAS	

DATE	
BY	
ORIGINAL SURVEY NO.	
SURVEYED AREAS	
PLOTTED AREAS	
TEMPLATE AREAS	
NOTED AREAS	
CHECKED AREAS	



BY	DATE
FINAL SURVEY	SURVEYED
NOTE BOOK	PLOTTED
NO.	TEMPLATE
	AREAS CHECKED

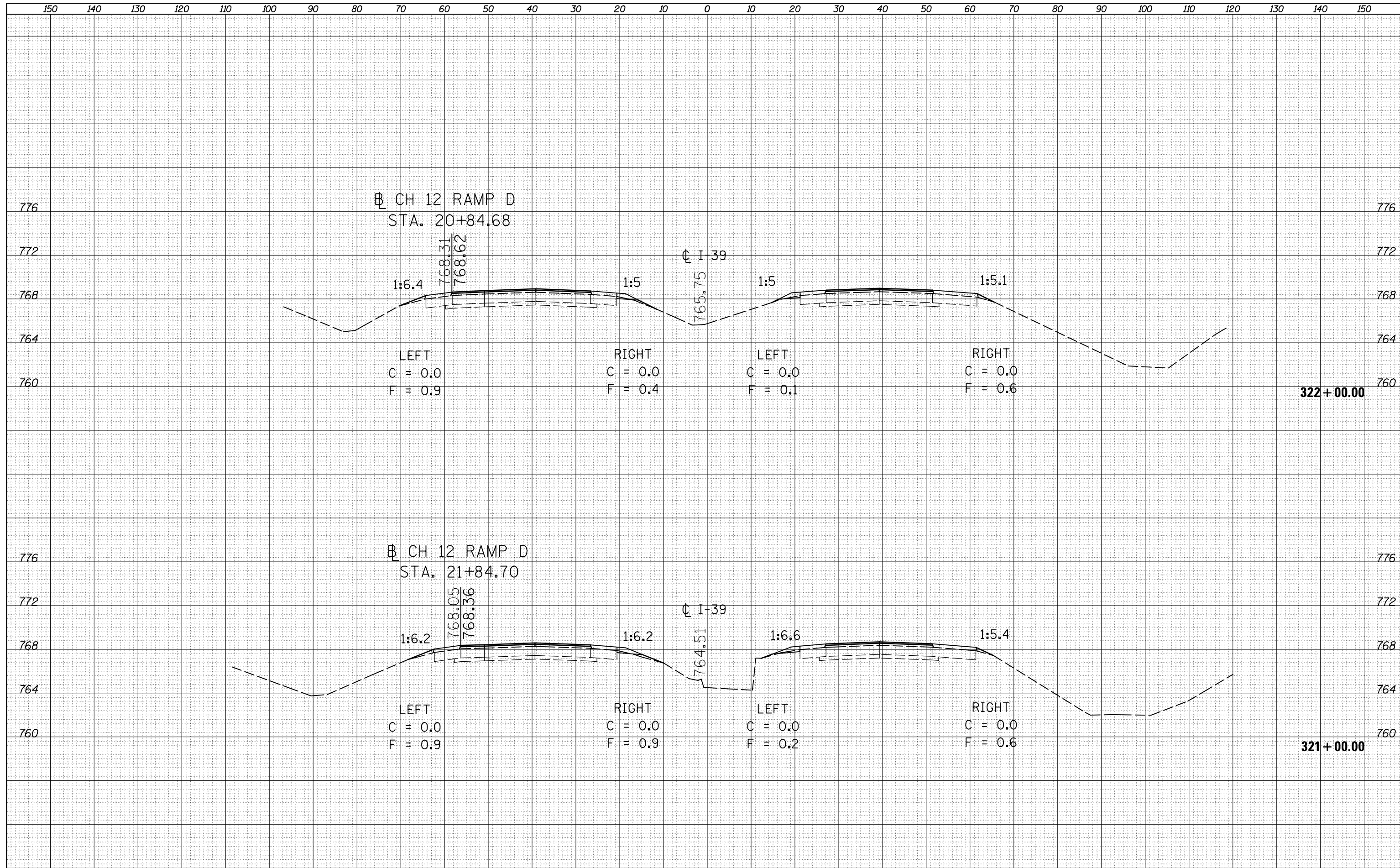
BY	DATE
ORIGINAL SURVEY	SURVEYED
NOTE BOOK	PLOTTED
NO.	TEMPLATE
	AREAS CHECKED



FILE NAME -	USER NAME = bergana.j	DESIGNED -	REVISSED -	STATE OF ILLINOIS DEPARTMENT OF TRANSPORTATION	CROSS SECTION SHEETS (I-39 - CRC SECTION)	F.A.I. RTE.	SECTION	COUNTY	TOTAL SHEETS	SHEET NO.
c:\pw_work\pwwork\bergana.j\d8373914\0570A20-SH	T-XS-I39_Location_2.dgn	DRAWN -	REVISSED -			39	(57-3,57-4)RS	MCLEAN	94	57
	PLOT SCALE = 20.0000 ' / in.	CHECKED -	REVISSED -			CONTRACT NO. 70A20				
MODELNAME	PLOT DATE = 3/18/2014	DATE -	REVISSED -			SCALE:	SHEET 8 OF 45 SHEETS	STA. 319+00.00 TO STA. 320+00.00	ILLINOIS FED. AID PROJECT	

DATE	
BY	
FINAL SURVEY	
SURVEYED	
PLOTTED	
TEMPLATE	
NOTE BOOK	
AREAS CHECKED	
NO.	

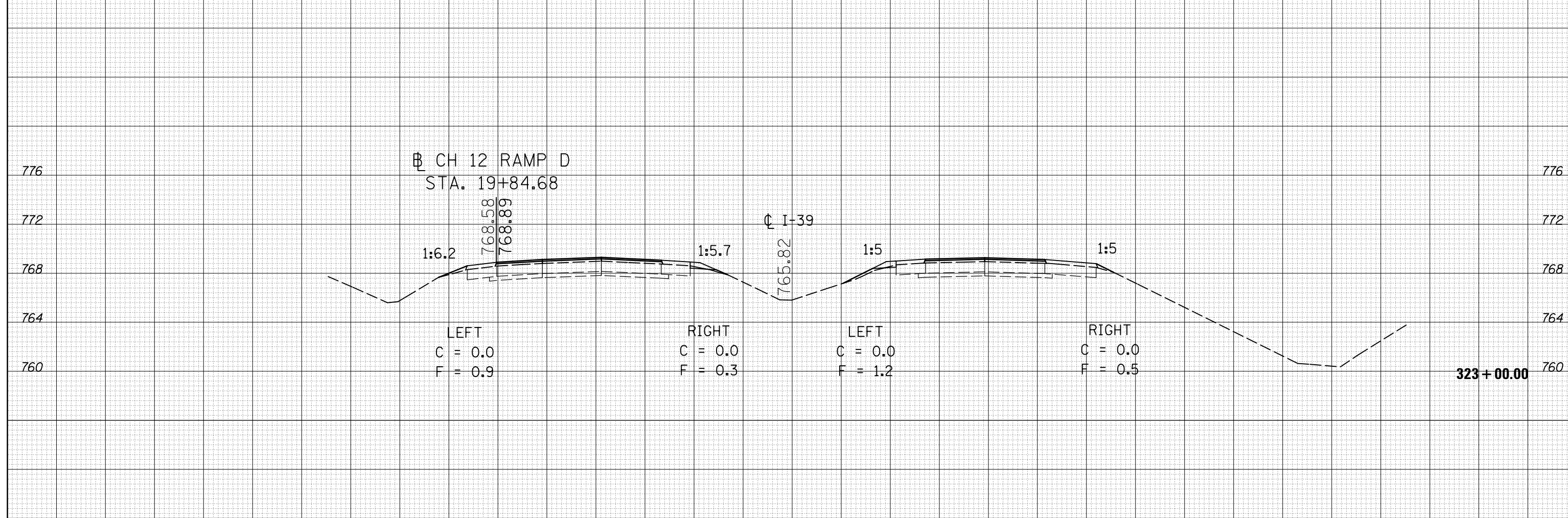
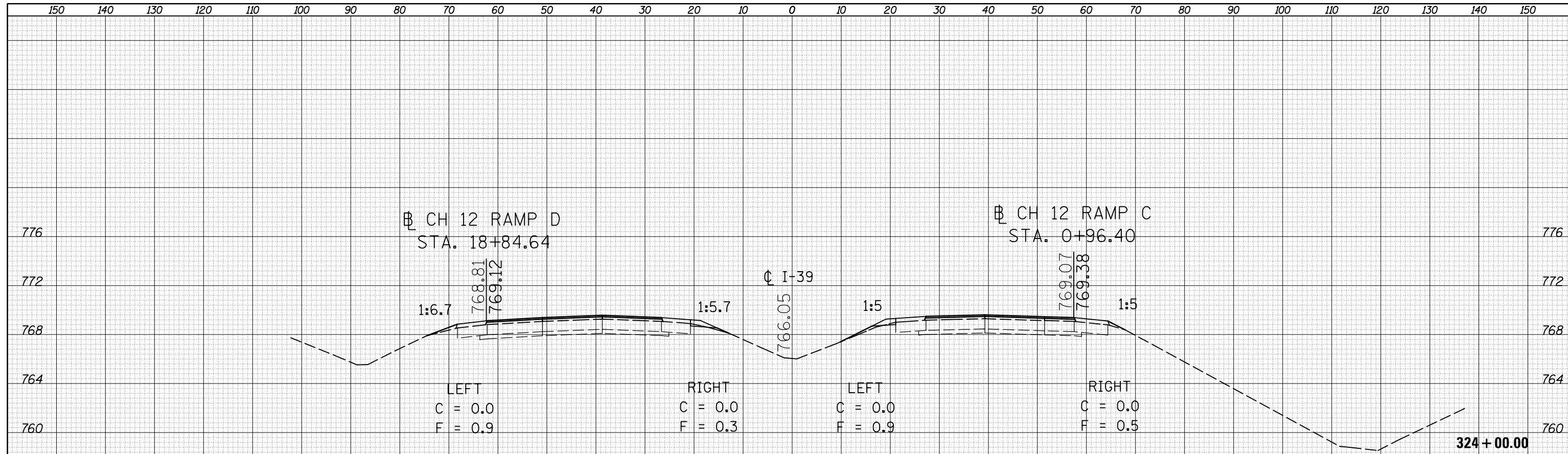
DATE	
BY	
ORIGINAL SURVEY	
SURVEYED	
PLOTTED	
TEMPLATE	
NOTE BOOK	
AREAS CHECKED	
NO.	



FILE NAME =	USER NAME = berganaj	DESIGNED -	REVISED -	STATE OF ILLINOIS DEPARTMENT OF TRANSPORTATION	CROSS SECTION SHEETS (I-39 - CRC SECTION)	F.A.I. RTE.	SECTION	COUNTY	TOTAL SHEETS	SHEET NO.	
c:\pw_work\pwidot\berganaj\d8373914\0570A20-SH	T-XS-I39_Location_2.dgn	DRAWN -	REVISED -			39	(57-3,57-4)RS	MCLEAN	94	58	
	PLOT SCALE = 20.0000' / in.	CHECKED -	REVISED -			CONTRACT NO. 70A20					
MODELNAME	PLOT DATE = 3/18/2014	DATE -	REVISED -			SCALE:	SHEET 9 OF 45 SHEETS	STA. 321+00.00 TO STA. 322+00.00	ILLINOIS FED. AID PROJECT		

DATE	
BY	
FINAL SURVEY	
SURVEYED	
PLOTTED	
TEMPLATE	
NOTE BOOK	
AREAS CHECKED	
NO.	

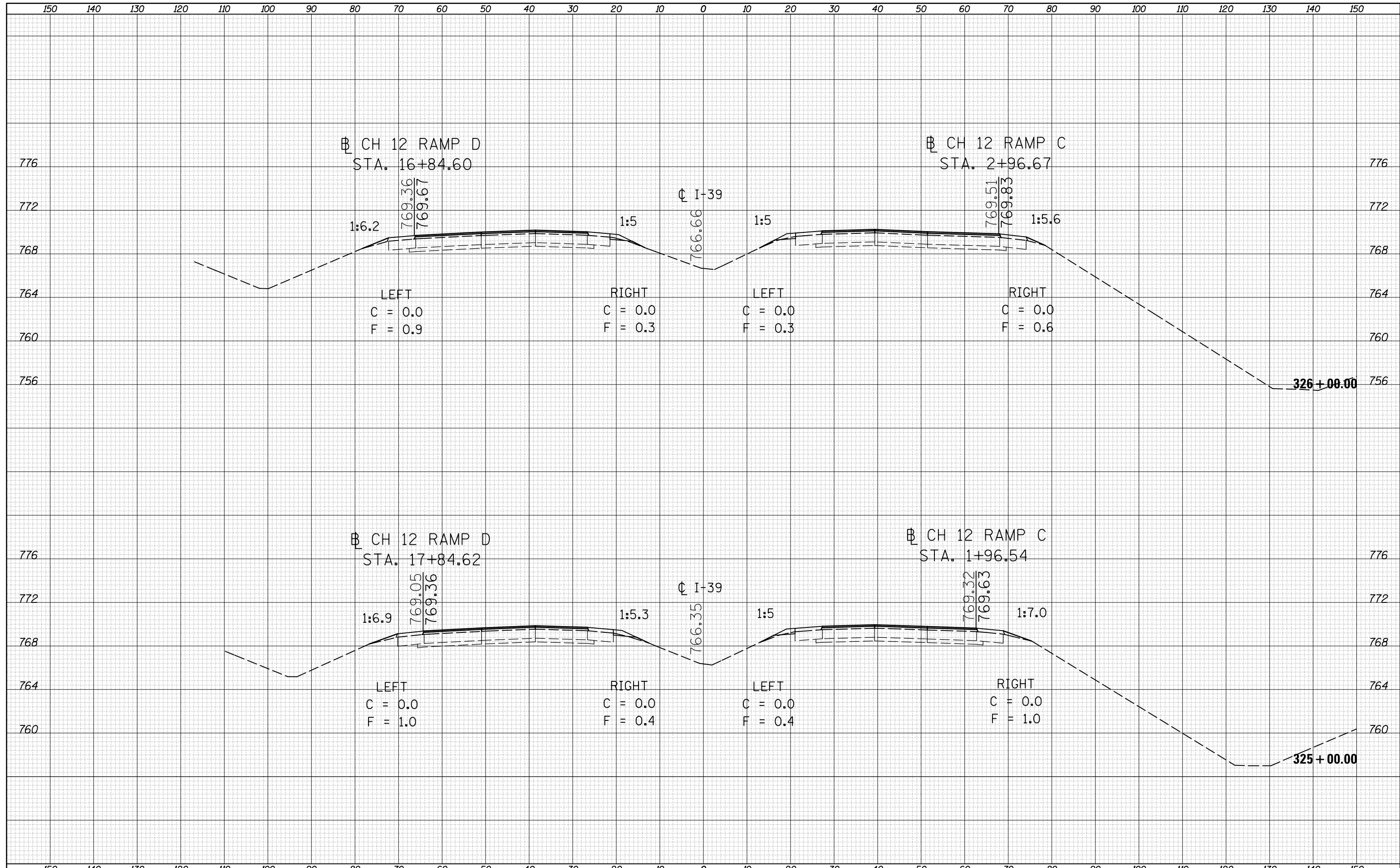
DATE	
BY	
ORIGINAL SURVEY	
SURVEYED	
PLOTTED	
TEMPLATE	
NOTE BOOK	
AREAS CHECKED	
NO.	



FILE NAME =	USER NAME = berganaj	DESIGNED -	REVISED -	STATE OF ILLINOIS DEPARTMENT OF TRANSPORTATION	CROSS SECTION SHEETS (I-39 - CRC SECTION)	F.A.I. RTE.	SECTION	COUNTY	TOTAL SHEETS	SHEET NO.	
c:\pw_work\pwidot\berganaj\d8373914\0570A20-SH	T-XS-I39_Location_2.dgn	DRAWN -	REVISED -			39	(57-3,57-4)RS	MCLEAN	94	59	
	PLOT SCALE = 20.0000' / in.	CHECKED -	REVISED -			CONTRACT NO. 70A20					
MODELNAME	PLOT DATE = 3/18/2014	DATE -	REVISED -			SCALE:	SHEET 10 OF 45 SHEETS	STA. 323+00.00 TO STA. 324+00.00	ILLINOIS FED. AID PROJECT		

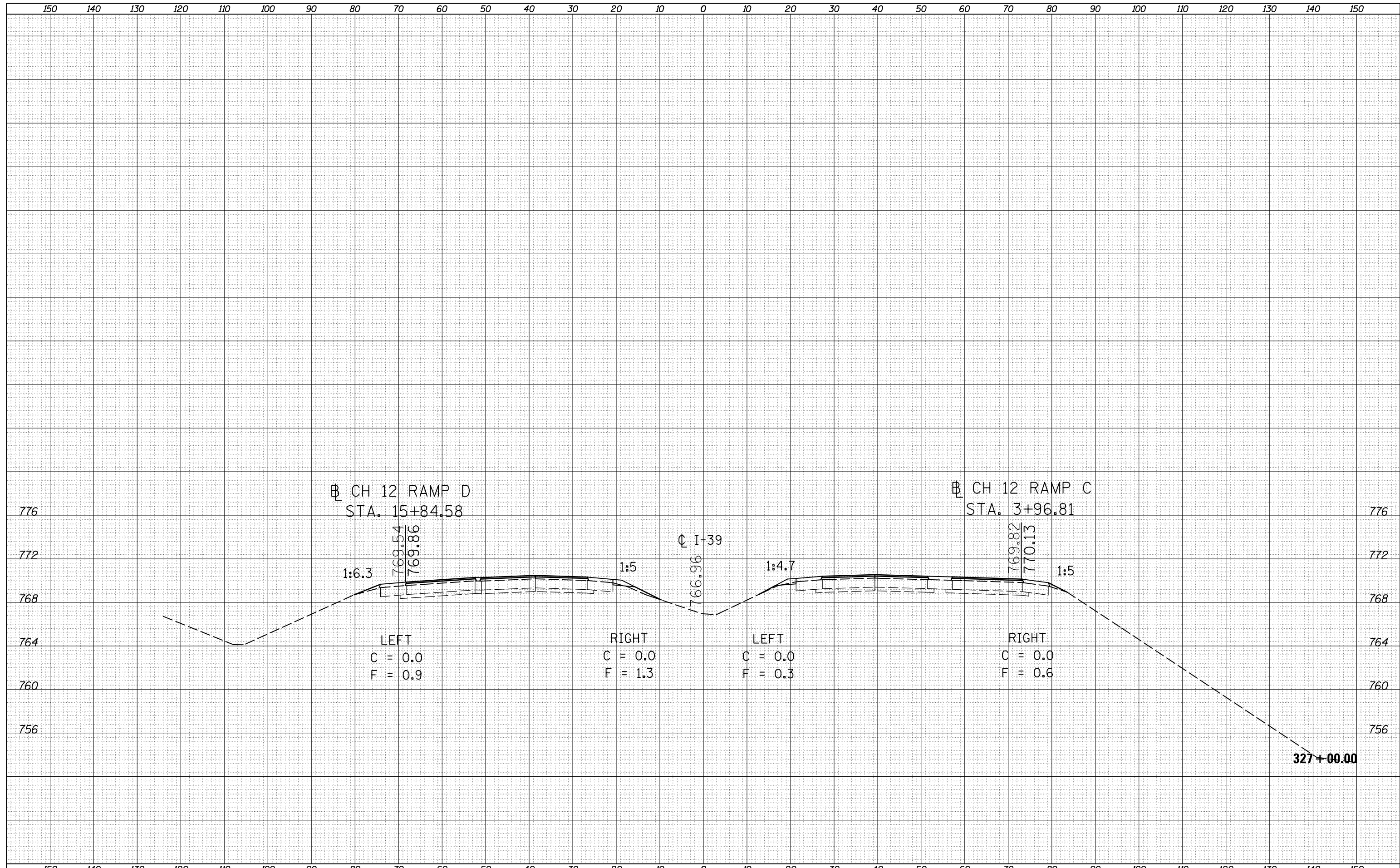
DATE	
BY	
SURVEYED	
PLOTTED	
TEMPLATE	
AREAS	
CHECKED	
FINAL SURVEY	
NOTE BOOK	
NO.	

DATE	
BY	
SURVEYED	
PLOTTED	
TEMPLATE	
AREAS	
CHECKED	
ORIGINAL SURVEY	
NOTE BOOK	
NO.	



DATE	
BY	
SURVEYED	
PLOTTED	
TEMPLATE	
AREAS	
CHECKED	
FINAL SURVEY	
NOTE BOOK	
NO.	

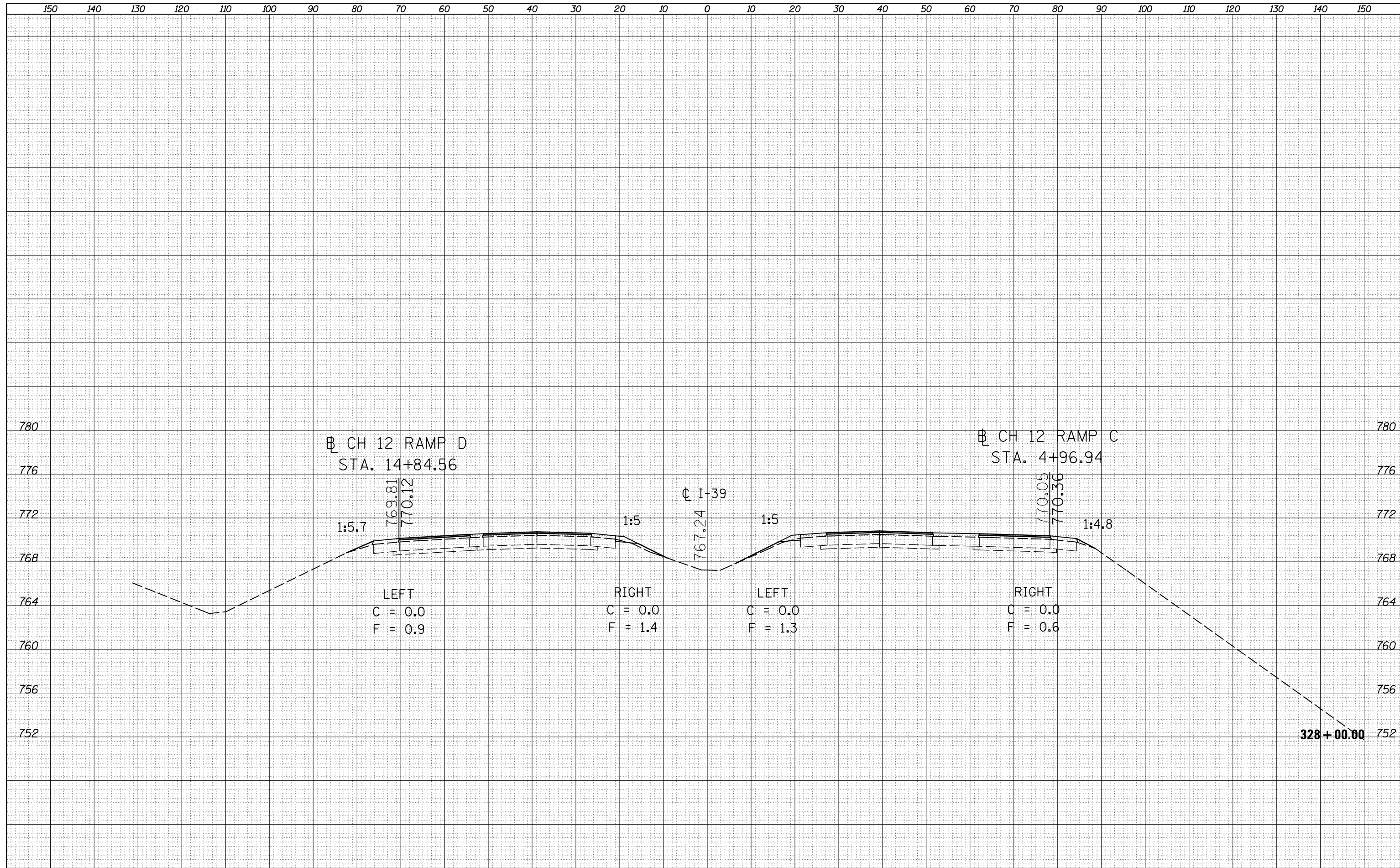
DATE	
BY	
SURVEYED	
PLOTTED	
TEMPLATE	
AREAS	
CHECKED	
ORIGINAL SURVEY	
NOTE BOOK	
NO.	



FILE NAME =	USER NAME = berganaj	DESIGNED -	REVISED -	STATE OF ILLINOIS DEPARTMENT OF TRANSPORTATION	CROSS SECTION SHEETS (I-39 - CRC SECTION)	F.A.I. RTE.	SECTION	COUNTY	TOTAL SHEETS	SHEET NO.
c:\pw_work\pwidot\berganaj\d8373914\0570A20-SH	T-XS-I39_Location_2.dgn	DRAWN -	REVISED -			39	(57-3,57-4)RS	MCLEAN	94	61
PLOT SCALE = 20.0000' / in.		CHECKED -	REVISED -			CONTRACT NO. 70A20				
MODELNAME	PLOT DATE = 3/18/2014	DATE -	REVISED -			ILLINOIS FED. AID PROJECT				
SCALE:						SHEET 12 OF 45 SHEETS STA. 327+00.00 TO STA. 327+00.00				

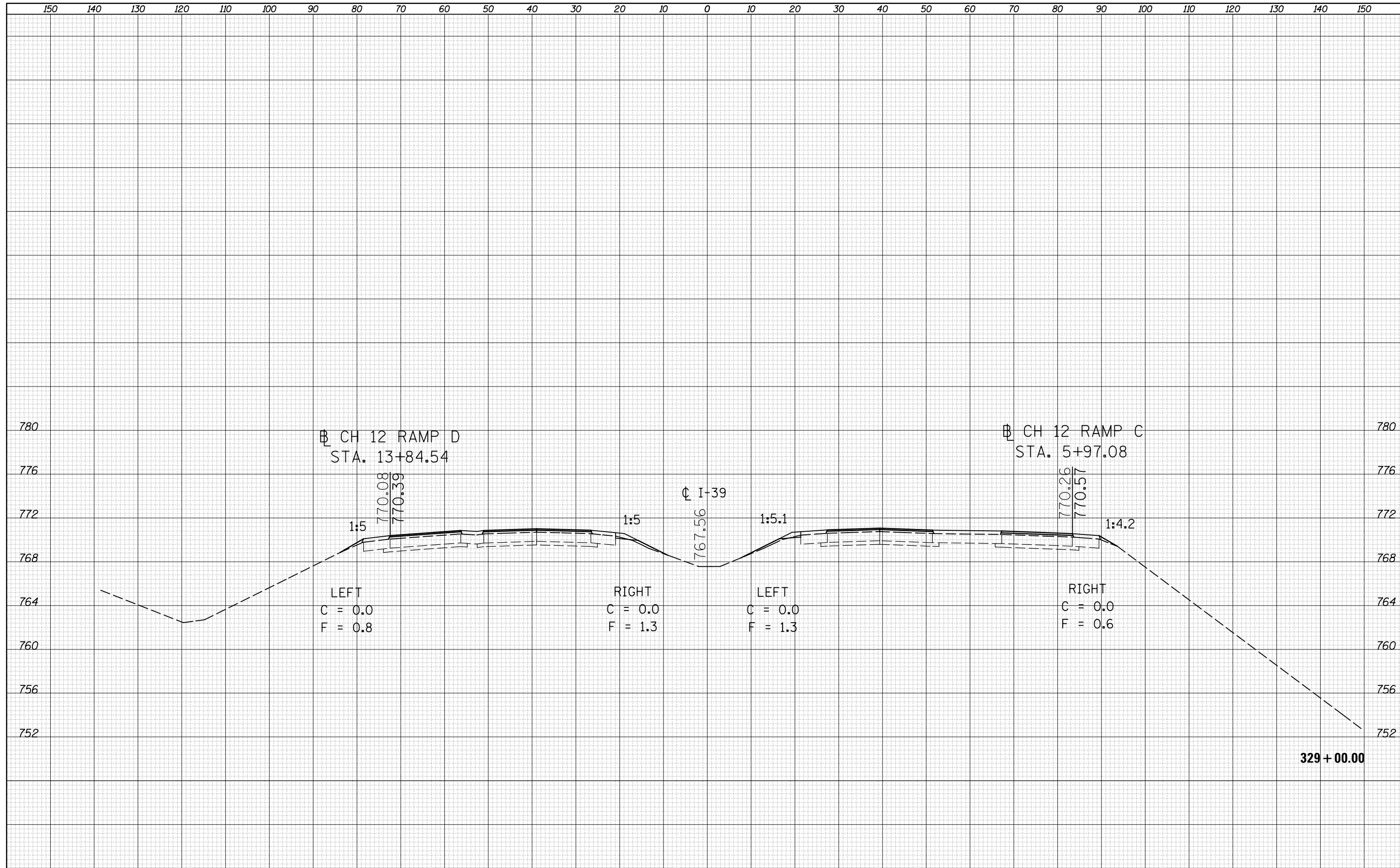
DATE	
BY	
FINAL SURVEY	SURVEYED
NOTE BOOK	PLOTTED
NO.	TEMPLATE
	AREAS
	CHECKED

DATE	
BY	
ORIGINAL SURVEY	SURVEYED
NOTE BOOK	PLOTTED
NO.	TEMPLATE
	AREAS
	CHECKED



DATE	
BY	
FINAL SURVEY	SURVEYED
NOTE BOOK	PLOTTED
NO.	TEMPLATE
	AREAS
	CHECKED

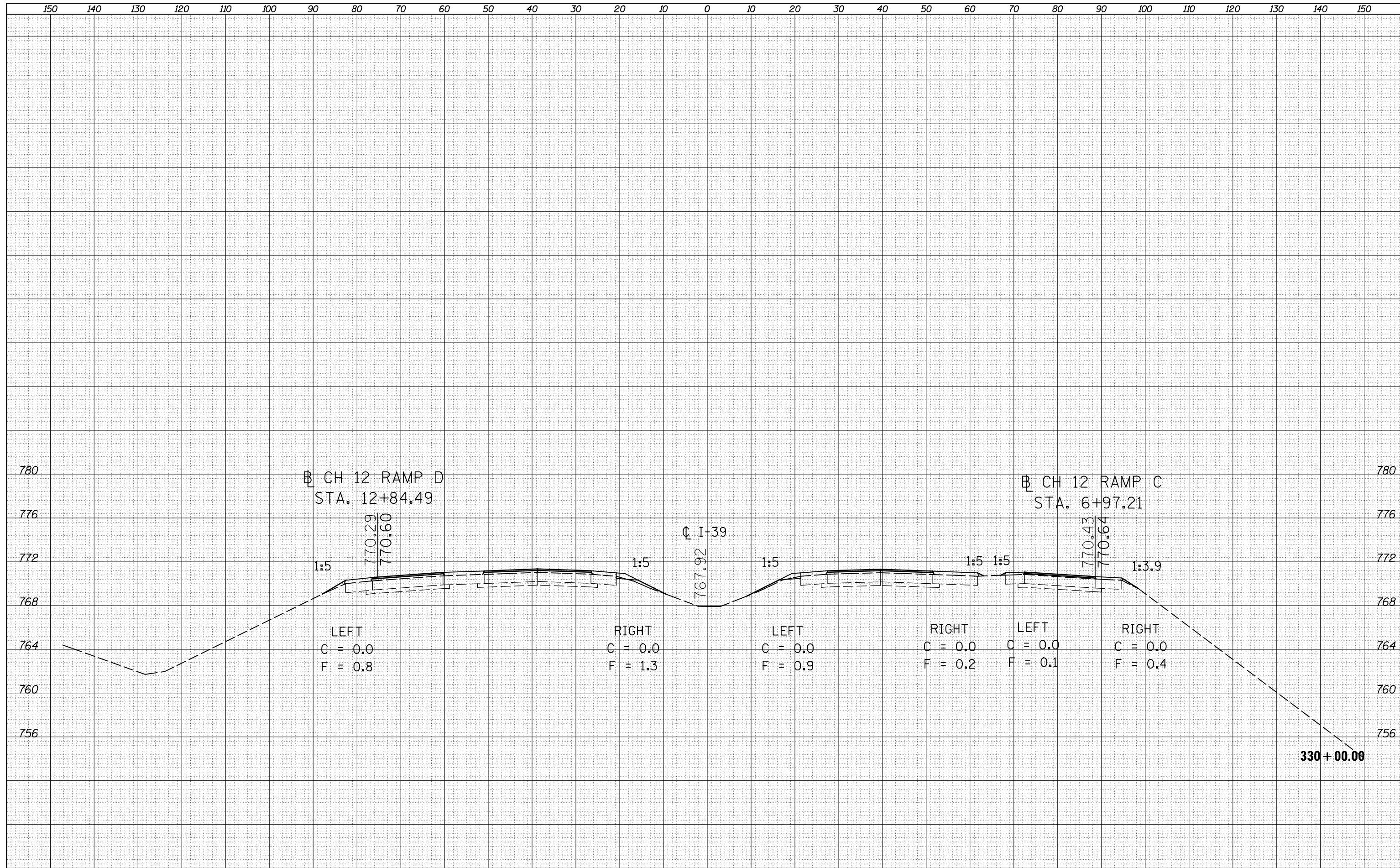
DATE	
BY	
ORIGINAL SURVEY	SURVEYED
NOTE BOOK	PLOTTED
NO.	TEMPLATE
	AREAS
	CHECKED



FILE NAME =	USER NAME = berganaj	DESIGNED -	REVISED -	STATE OF ILLINOIS DEPARTMENT OF TRANSPORTATION	CROSS SECTION SHEETS (I-39 - CRC SECTION)			F.A.I. RTE.	SECTION	COUNTY	TOTAL SHEETS	SHEET NO.
c:\pw_work\pwidot\berganaj\d8373914\0570A20-SH	T-XS-I39_Location_2.dgn	DRAWN -	REVISED -					39	(57-3,57-4)RS	MCLEAN	94	63
MODELNAME	PLOT SCALE = 20.0000' / in.	CHECKED -	REVISED -		CONTRACT NO. 70A20							
	PLOT DATE = 3/18/2014	DATE -	REVISED -		SCALE: SHEET 14 OF 45 SHEETS STA. 329+00.00 TO STA. 329+00.00			ILLINOIS FED. AID PROJECT				

DATE	
BY	
FINAL SURVEY	SURVEYED
NOTE BOOK	PLOTTED
NO.	TEMPLATE
	AREAS
	CHECKED

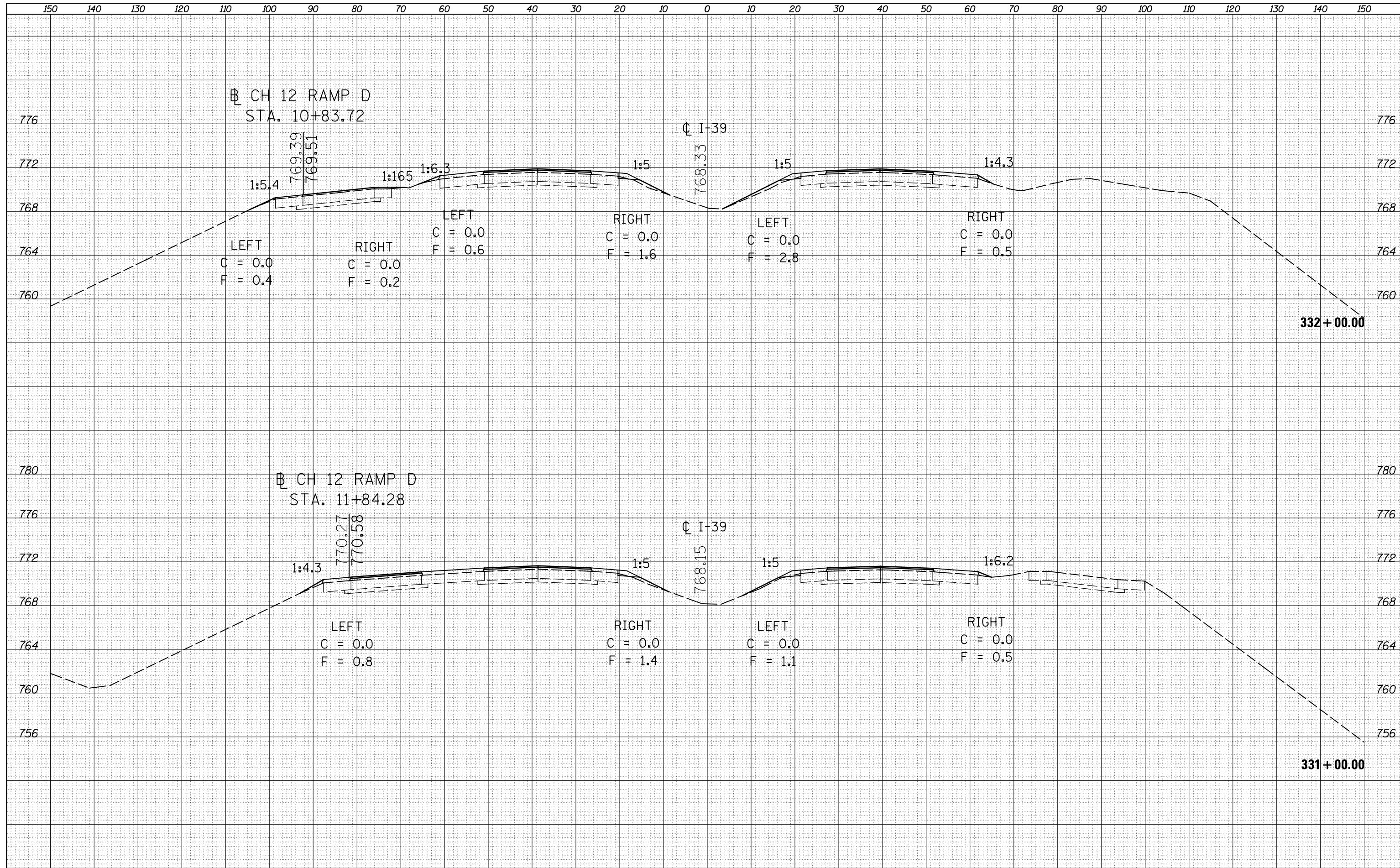
DATE	
BY	
ORIGINAL SURVEY	SURVEYED
NOTE BOOK	PLOTTED
NO.	TEMPLATE
	AREAS
	CHECKED



FILE NAME =	USER NAME = berganaj	DESIGNED -	REVISED -	STATE OF ILLINOIS DEPARTMENT OF TRANSPORTATION	CROSS SECTION SHEETS (I-39 - CRC SECTION)	F.A.I. RTE.	SECTION	COUNTY	TOTAL SHEETS	SHEET NO.	
c:\pw_work\pwidot\berganaj\d8373914\0570A20-SH	T-XS-I39_Location_2.dgn	DRAWN -	REVISED -			39	(57-3,57-4)RS	MCLEAN	94	64	
	PLOT SCALE = 20.0000' / in.	CHECKED -	REVISED -			CONTRACT NO. 70A20					
MODELNAME	PLOT DATE = 3/18/2014	DATE -	REVISED -			ILLINOIS FED. AID PROJECT					
SCALE:					SHEET 15 OF 45 SHEETS STA. 330+00.00 TO STA. 330+00.00						

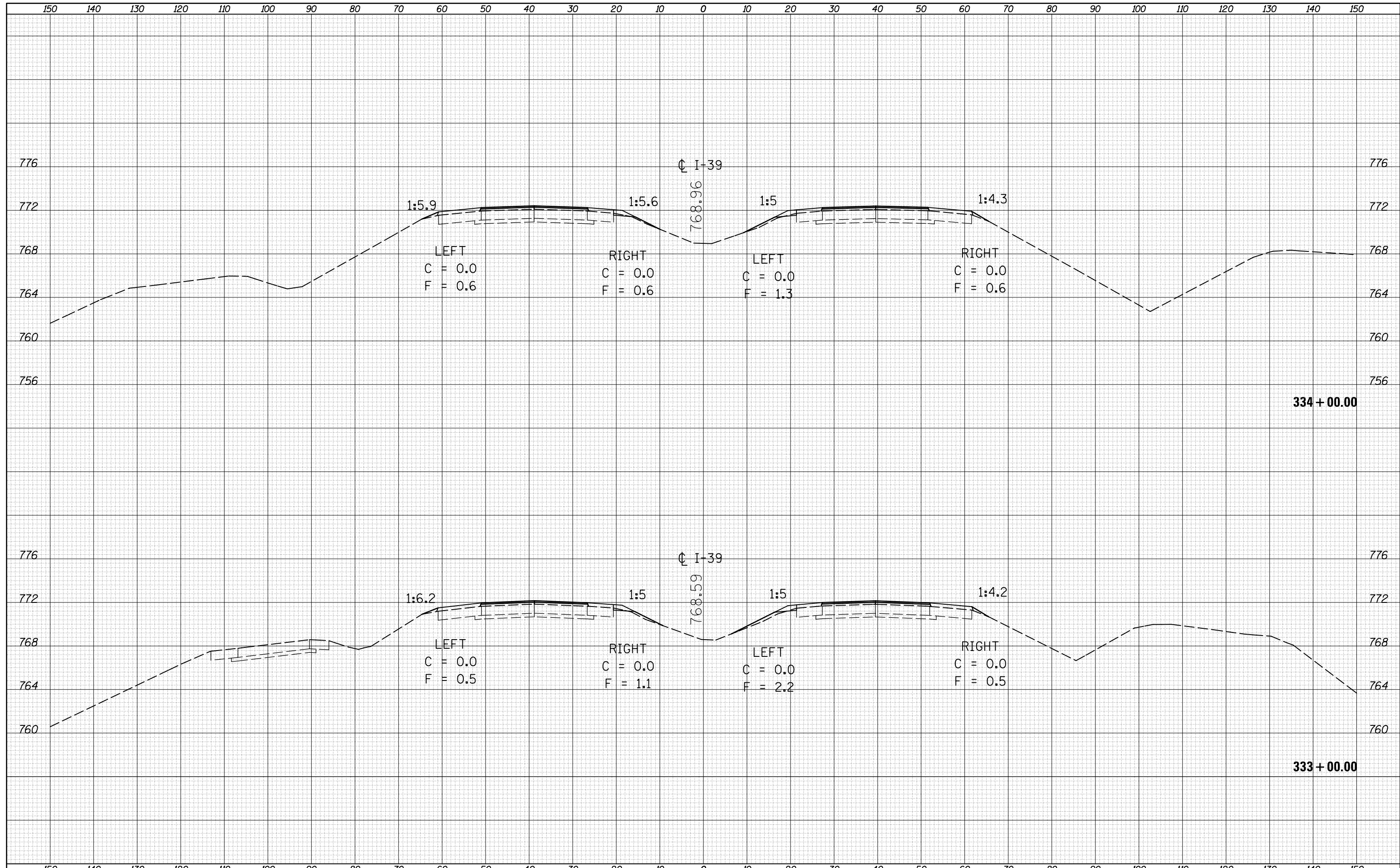
DATE	
BY	
FINAL SURVEY	
SURVEYED	
PLOTTED	
TEMPLATE	
NOTE BOOK	
AREAS CHECKED	
NO.	

DATE	
BY	
ORIGINAL SURVEY	
SURVEYED	
PLOTTED	
TEMPLATE	
NOTE BOOK	
AREAS CHECKED	
NO.	



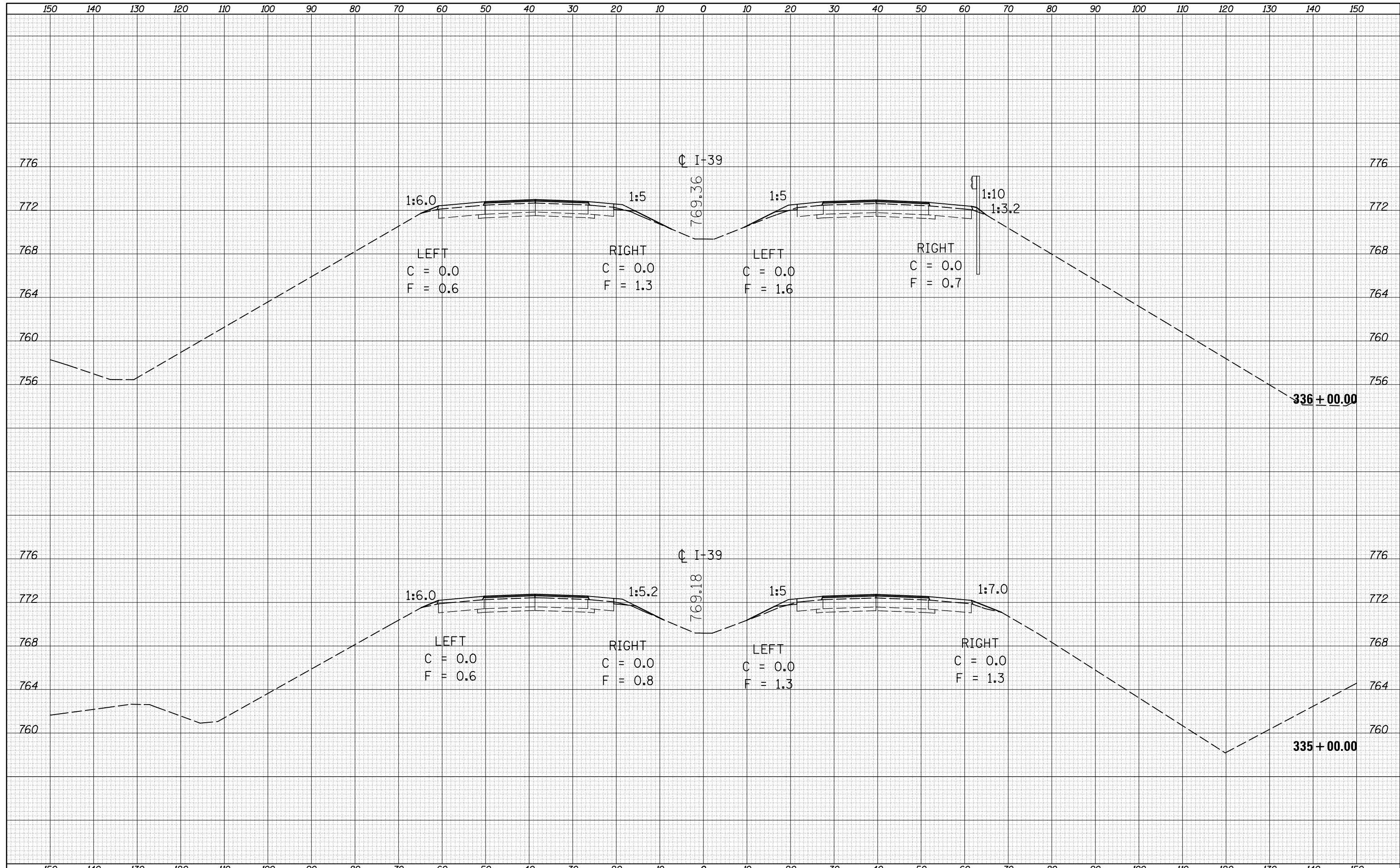
DATE	
BY	
SURVEYED	
PLOTTED	
TEMPLATE	
AREAS	
CHECKED	
FINAL SURVEY	
NOTE BOOK	
NO.	

DATE	
BY	
SURVEYED	
PLOTTED	
TEMPLATE	
AREAS	
CHECKED	
ORIGINAL SURVEY	
NOTE BOOK	
NO.	



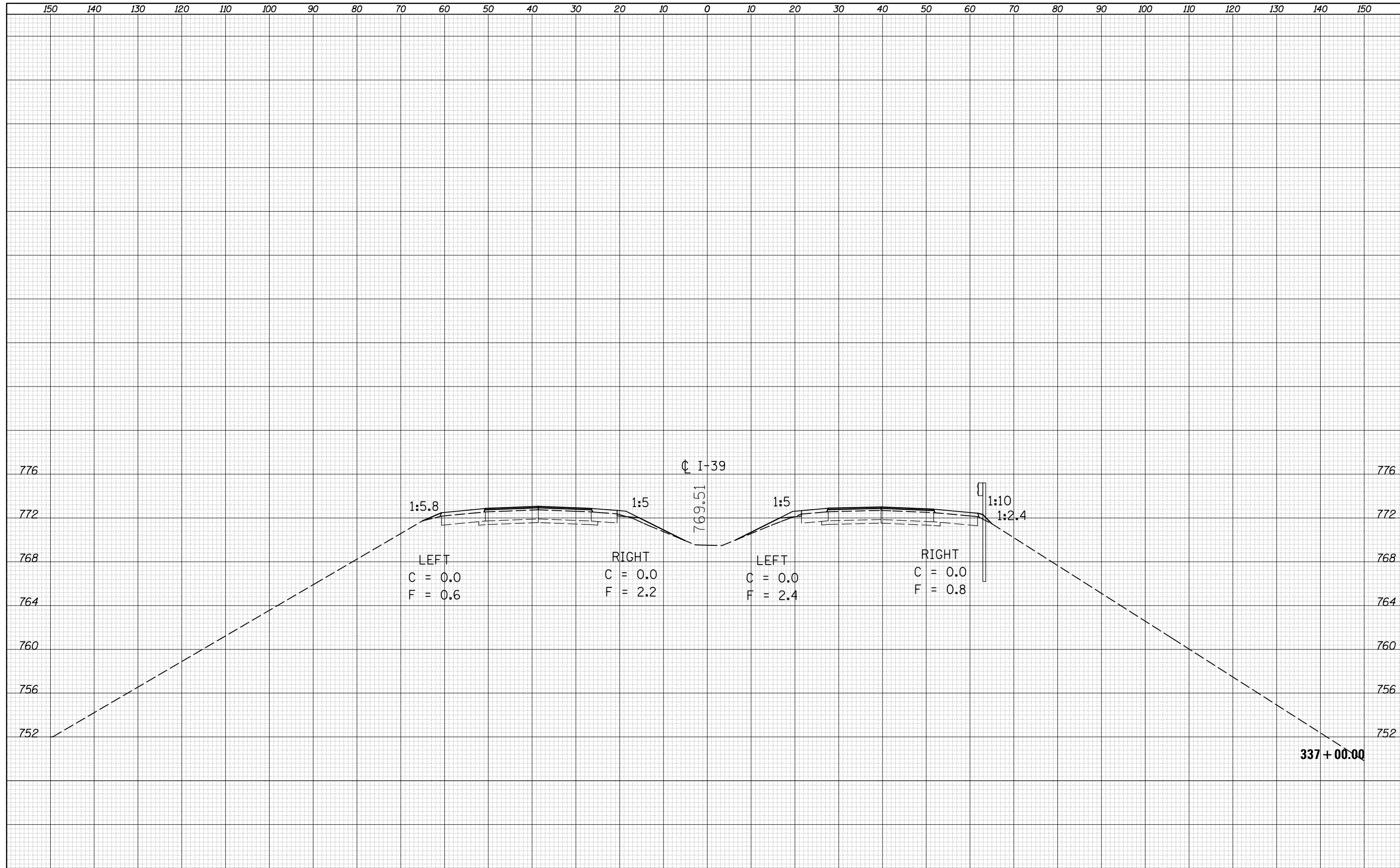
DATE	
BY	
SURVEYED	
PLOTTED	
TEMPLATE	
AREAS	
CHECKED	
FINAL	
SURVEY	
NOTE BOOK	
NO.	

DATE	
BY	
SURVEYED	
PLOTTED	
TEMPLATE	
AREAS	
CHECKED	
ORIGINAL	
SURVEY	
NOTE BOOK	
NO.	



DATE	
BY	
FINAL SURVEY	SURVEYED
NOTE BOOK	PLOTTED
NO.	TEMPLATE
	AREAS
	CHECKED

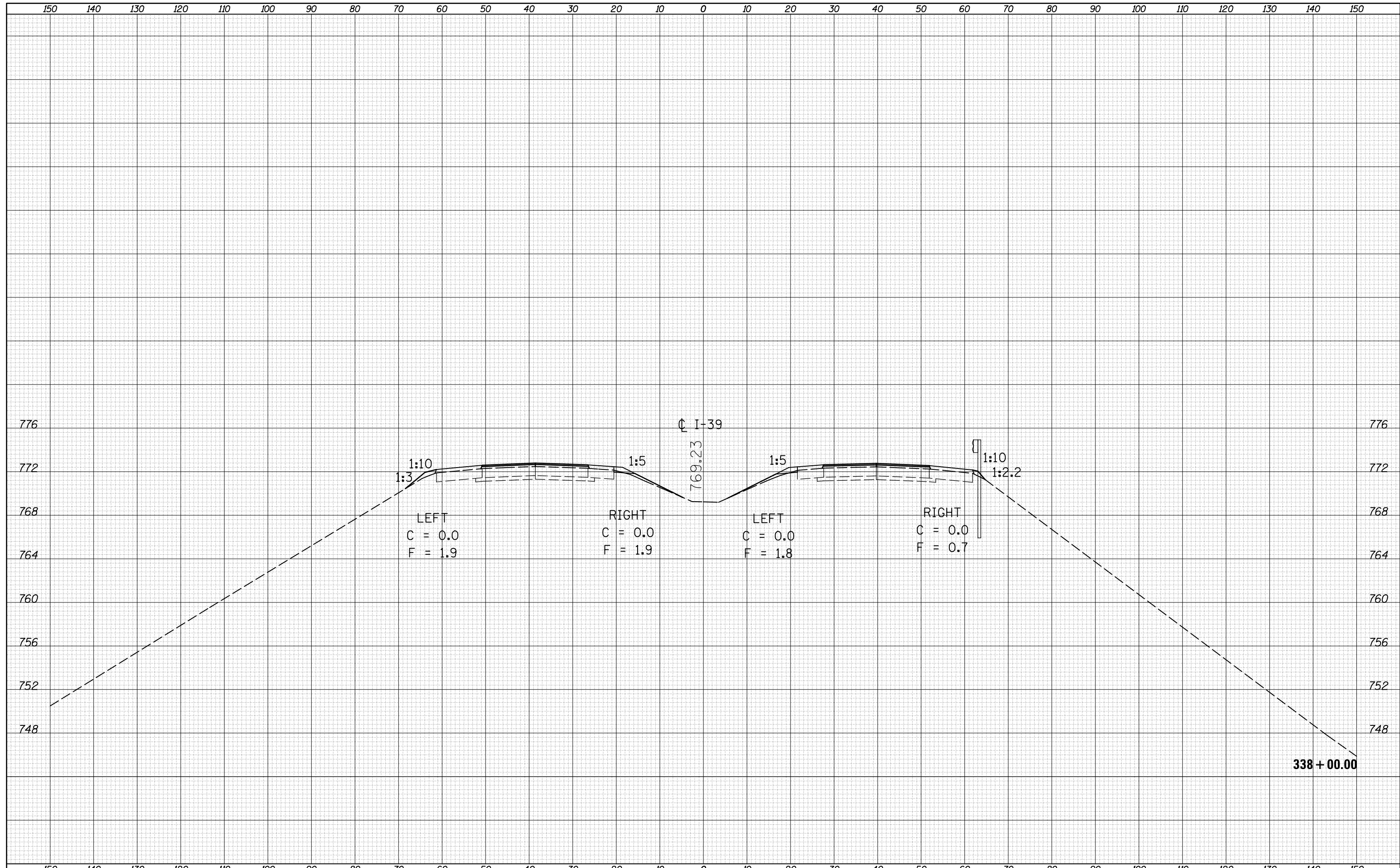
DATE	
BY	
ORIGINAL SURVEY	SURVEYED
NOTE BOOK	PLOTTED
NO.	TEMPLATE
	AREAS
	CHECKED



FILE NAME =	USER NAME = berganaj	DESIGNED -	REVISIED -	STATE OF ILLINOIS DEPARTMENT OF TRANSPORTATION	CROSS SECTION SHEETS (I-39 - CRC SECTION)			F.A.I. RTE.	SECTION	COUNTY	TOTAL SHEETS	SHEET NO.
c:\pw_work\pwwork\berganaj\8373914\0570A20-SH	T-XS-I39_Location_2.dgn	DRAWN -	REVISIED -					39	(57-3,57-4)RS	MCLEAN	94	68
	PLOT SCALE = 20.0000' / in.	CHECKED -	REVISIED -		CONTRACT NO. 70A20							
MODELNAME	PLOT DATE = 3/18/2014	DATE -	REVISIED -		SCALE:	SHEET 19	OF 45 SHEETS	STA. 337+00.00	TO STA. 337+00.00	ILLINOIS FED. AID PROJECT		

DATE	
BY	
FINAL SURVEY	SURVEYED
NOTE BOOK	PLOTTED
NO.	TEMPLATE
	AREAS
	CHECKED

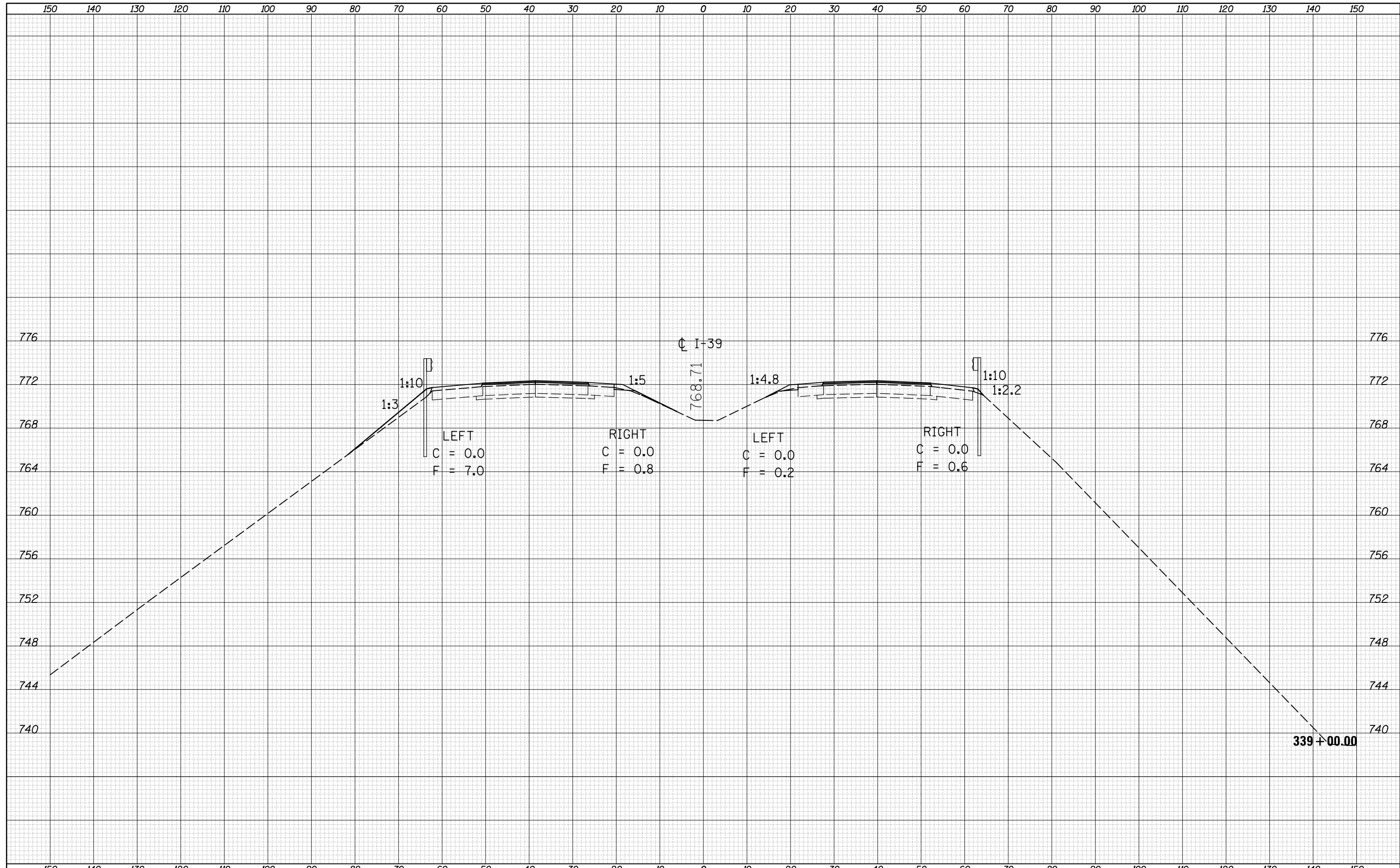
DATE	
BY	
ORIGINAL SURVEY	SURVEYED
NOTE BOOK	PLOTTED
NO.	TEMPLATE
	AREAS
	CHECKED



FILE NAME =	USER NAME = berganaj	DESIGNED -	REVISED -	STATE OF ILLINOIS DEPARTMENT OF TRANSPORTATION	CROSS SECTION SHEETS (I-39 - CRC SECTION)	F.A.I. RTE.	SECTION	COUNTY	TOTAL SHEETS	SHEET NO.
c:\pw_work\pwwork\berganaj\d8373914\0570A20-SH	T-XS-I39_Location_2.dgn	DRAWN -	REVISED -			39	(57-3,57-4)RS	MCLEAN	94	69
	PLOT SCALE = 20.0000' / in.	CHECKED -	REVISED -			CONTRACT NO. 70A20				
MODELNAME	PLOT DATE = 3/18/2014	DATE -	REVISED -			SCALE:	SHEET 20 OF 45 SHEETS	STA. 338+00.00 TO STA. 338+00.00	ILLINOIS FED. AID PROJECT	

DATE	
BY	
SURVEYED	
PLOTTED	
TEMPLATE	
AREAS	
CHECKED	
FINAL SURVEY	
NOTE BOOK	
NO.	

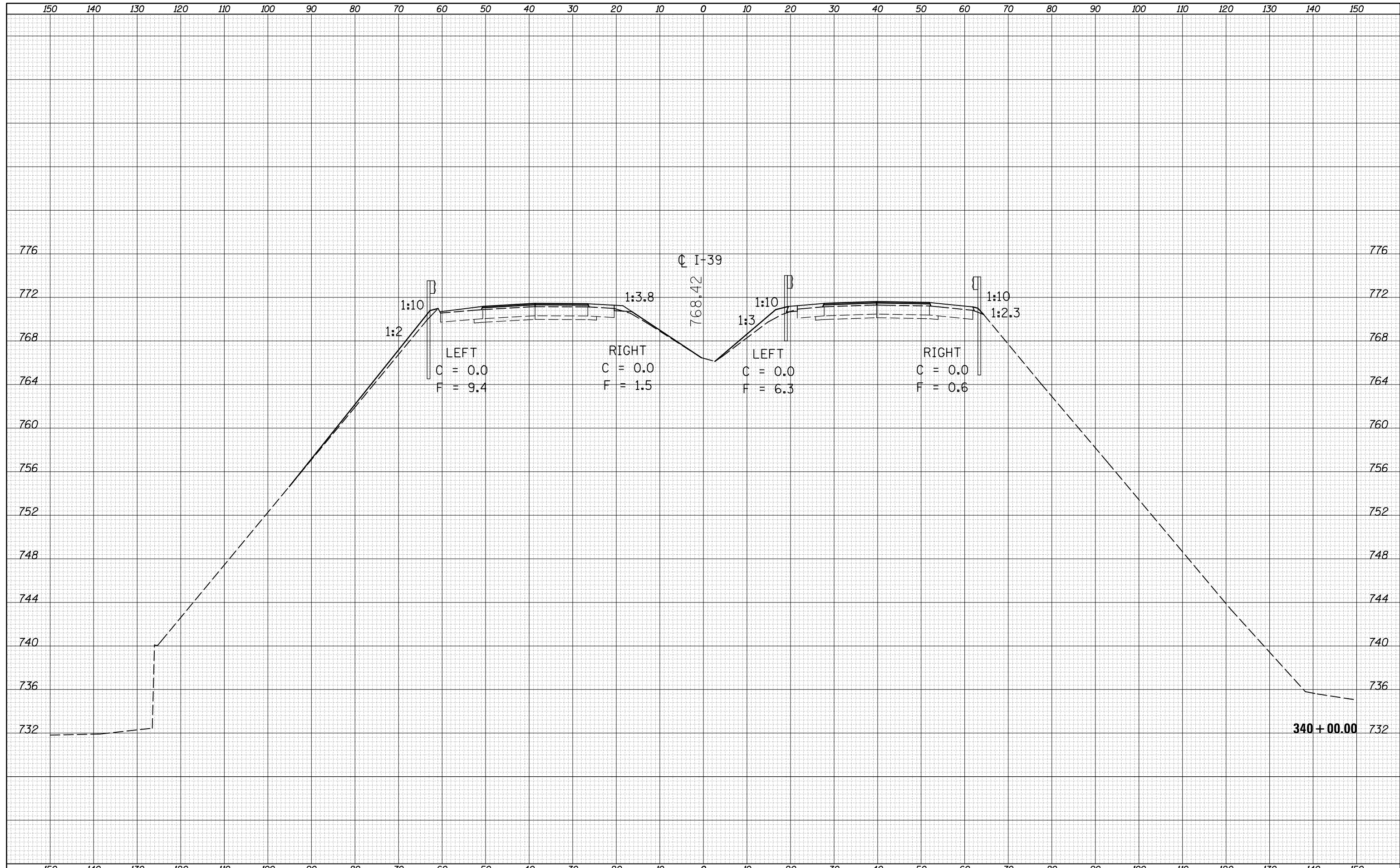
DATE	
BY	
SURVEYED	
PLOTTED	
TEMPLATE	
AREAS	
CHECKED	
ORIGINAL SURVEY	
NOTE BOOK	
NO.	



FILE NAME =	USER NAME = berganaj	DESIGNED -	REVISED -	STATE OF ILLINOIS DEPARTMENT OF TRANSPORTATION	CROSS SECTION SHEETS (I-39 - CRC SECTION)			F.A.I. RTE.	SECTION	COUNTY	TOTAL SHEETS	SHEET NO.
c:\pw_work\pwidot\berganaj\d8373914\0570A20-SH	T-XS-I39_Location_2.dgn	DRAWN -	REVISED -					39	(57-3,57-4)RS	MCLEAN	94	70
MODELNAME	PLOT SCALE = 20.0000' / in.	CHECKED -	REVISED -		CONTRACT NO. 70A20			ILLINOIS FED. AID PROJECT				
	PLOT DATE = 3/18/2014	DATE -	REVISED -		SCALE:	SHEET 21 OF 45 SHEETS	STA. 339+00.00 TO STA. 339+00.00					

DATE	
BY	
SURVEYED	
PLOTTED	
TEMPLATE	
AREAS	
CHECKED	
FINAL SURVEY	
NOTE BOOK	
NO.	

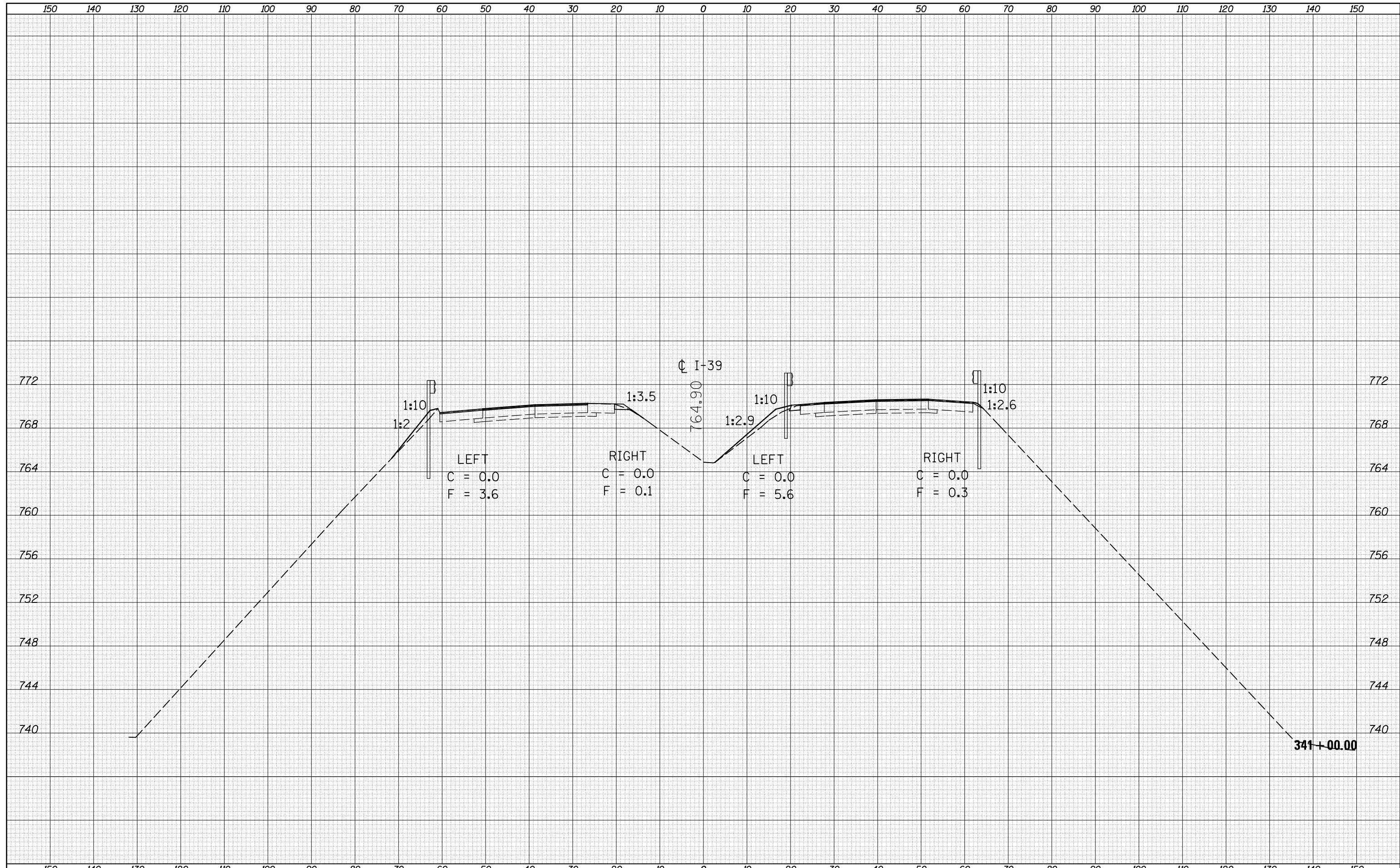
DATE	
BY	
SURVEYED	
PLOTTED	
TEMPLATE	
AREAS	
CHECKED	
ORIGINAL SURVEY	
NOTE BOOK	
NO.	



FILE NAME =	USER NAME = berganaj	DESIGNED -	REVISIED -	STATE OF ILLINOIS DEPARTMENT OF TRANSPORTATION	CROSS SECTION SHEETS (I-39 - CRC SECTION)			F.A.I. RTE.	SECTION	COUNTY	TOTAL SHEETS	SHEET NO.
c:\pw_work\pwwork\berganaj\d8373914\0570A20-SH	T-XS-I39_Location_2.dgn	DRAWN -	REVISIED -					39	(57-3,57-4)RS	MCLEAN	94	71
MODELNAME	PLOT SCALE = 20.0000' / in.	CHECKED -	REVISIED -		CONTRACT NO. 70A20							
	PLOT DATE = 3/18/2014	DATE -	REVISIED -		SCALE:	SHEET 22	OF 45 SHEETS	STA. 340+00.00	TO STA. 340+00.00	ILLINOIS FED. AID PROJECT		

DATE	
BY	
SURVEYED	
PLOTTED	
TEMPLATE	
AREAS	
CHECKED	
FINAL SURVEY	
NOTE BOOK	
NO.	

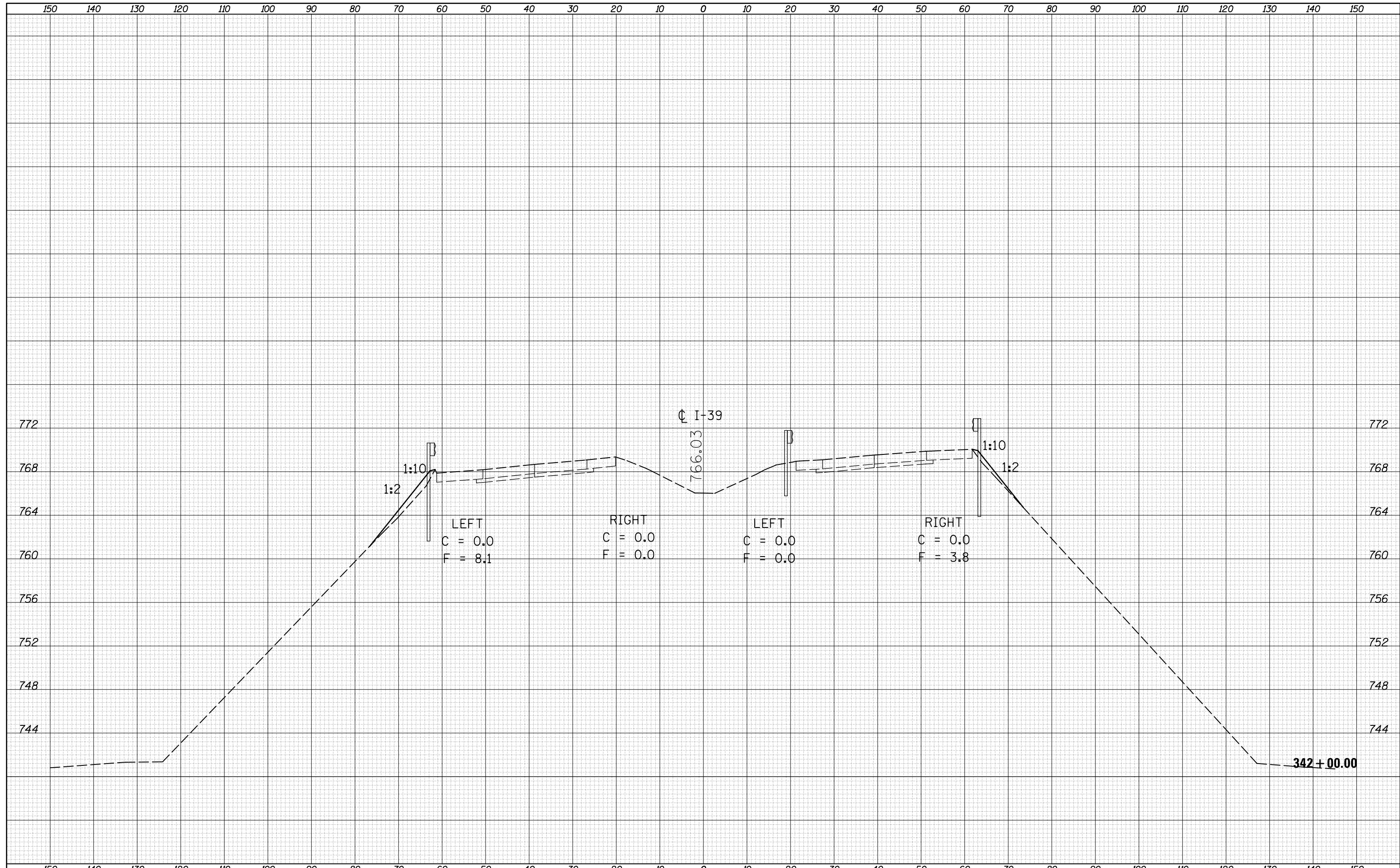
DATE	
BY	
SURVEYED	
PLOTTED	
TEMPLATE	
AREAS	
CHECKED	
ORIGINAL SURVEY	
NOTE BOOK	
NO.	



FILE NAME =	USER NAME = berganaj	DESIGNED -	REVISED -	STATE OF ILLINOIS DEPARTMENT OF TRANSPORTATION	CROSS SECTION SHEETS (I-39 - CRC SECTION)	F.A.I. RTE.	SECTION	COUNTY	TOTAL SHEETS	SHEET NO.	
c:\pw_work\pwwork\berganaj\d8373914\0570A20-SH	T-XS-I39_Location_2.dgn	DRAWN -	REVISED -			39	(57-3,57-4)RS	MCLEAN	94	72	
	PLOT SCALE = 20.0000' / in.	CHECKED -	REVISED -			CONTRACT NO. 70A20					
MODELNAME	PLOT DATE = 3/18/2014	DATE -	REVISED -			SCALE:	SHEET 23	OF 45 SHEETS	STA. 341+00.00	TO STA. 341+00.00	ILLINOIS FED. AID PROJECT

DATE	
BY	
SURVEYED	
PLOTTED	
TEMPLATE	
AREAS	
CHECKED	
FINAL SURVEY	
NOTE BOOK	
NO.	

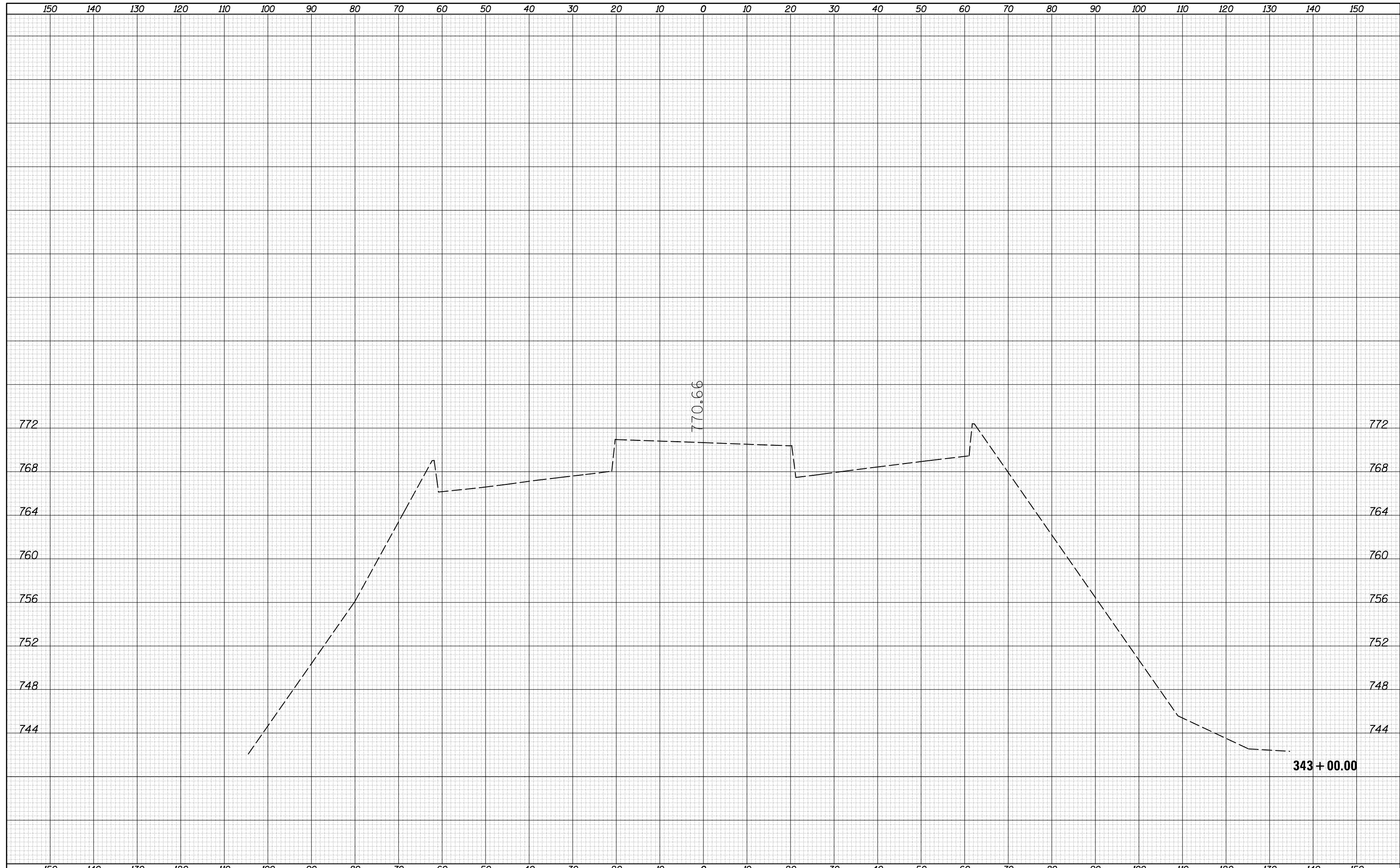
DATE	
BY	
SURVEYED	
PLOTTED	
TEMPLATE	
AREAS	
CHECKED	
ORIGINAL SURVEY	
NOTE BOOK	
NO.	



FILE NAME =	USER NAME = berganaj	DESIGNED -	REVISIED -	STATE OF ILLINOIS DEPARTMENT OF TRANSPORTATION	CROSS SECTION SHEETS (I-39 - CRC SECTION)	F.A.I. RTE.	SECTION	COUNTY	TOTAL SHEETS	SHEET NO.	
c:\pw_work\pwwork\berganaj\d8373914\0570A20-SH	T-XS-I39_Location_2.dgn	DRAWN -	REVISIED -			39	(57-3,57-4)RS	MCLEAN	94	73	
	PLOT SCALE = 20.0000' / in.	CHECKED -	REVISIED -			CONTRACT NO. 70A20					
MODELNAME	PLOT DATE = 3/18/2014	DATE -	REVISIED -			SCALE:	SHEET 24	OF 45 SHEETS	STA. 342+00.00	TO STA. 342+00.00	ILLINOIS FED. AID PROJECT

DATE	
BY	
SURVEYED	
PLOTTED	
TEMPLATE	
AREAS	
CHECKED	
FINAL SURVEY	
NOTE BOOK	
NO.	

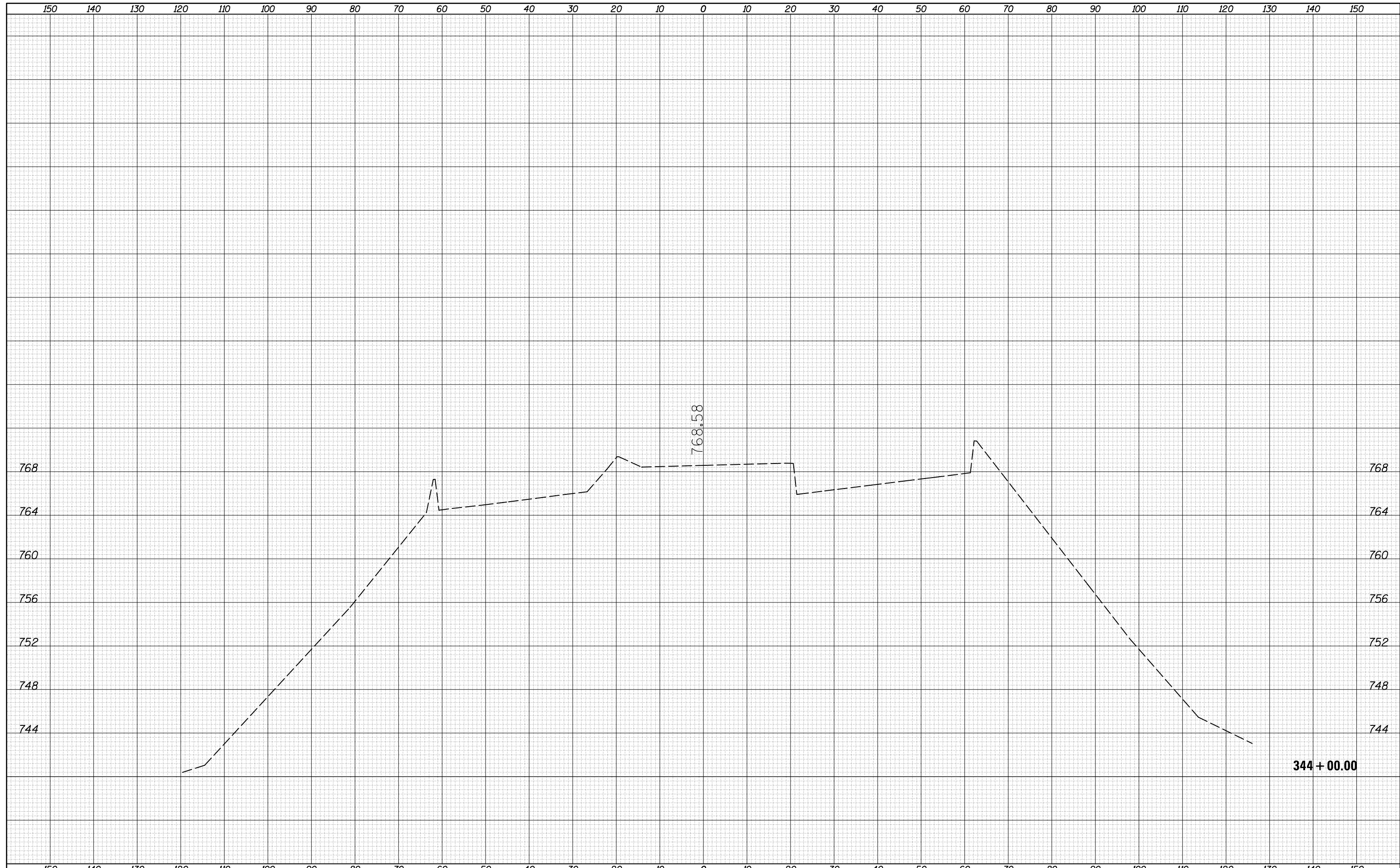
DATE	
BY	
SURVEYED	
PLOTTED	
TEMPLATE	
AREAS	
CHECKED	
ORIGINAL SURVEY	
NOTE BOOK	
NO.	



FILE NAME =	USER NAME = berganaj	DESIGNED -	REVISED -	STATE OF ILLINOIS DEPARTMENT OF TRANSPORTATION	CROSS SECTION SHEETS (I-39 - CRC SECTION)			F.A.I. RTE.	SECTION	COUNTY	TOTAL SHEETS	SHEET NO.
c:\pw_work\pwwork\berganaj\8373914\0570A20-SH	T-XS-I39_Location_2.dgn	DRAWN -	REVISED -					39	(57-3,57-4)RS	MCLEAN	94	74
MODELNAME	PLOT SCALE = 20.0000' / in.	CHECKED -	REVISED -		CONTRACT NO. 70A20			ILLINOIS FED. AID PROJECT				
	PLOT DATE = 3/18/2014	DATE -	REVISED -		SCALE:	SHEET 25	OF 45 SHEETS	STA. 343+00.00	TO STA. 343+00.00			

DATE	
BY	
FINAL SURVEY	SURVEYED
NOTE BOOK	PLOTTED
NO.	TEMPLATE
	AREAS
	CHECKED

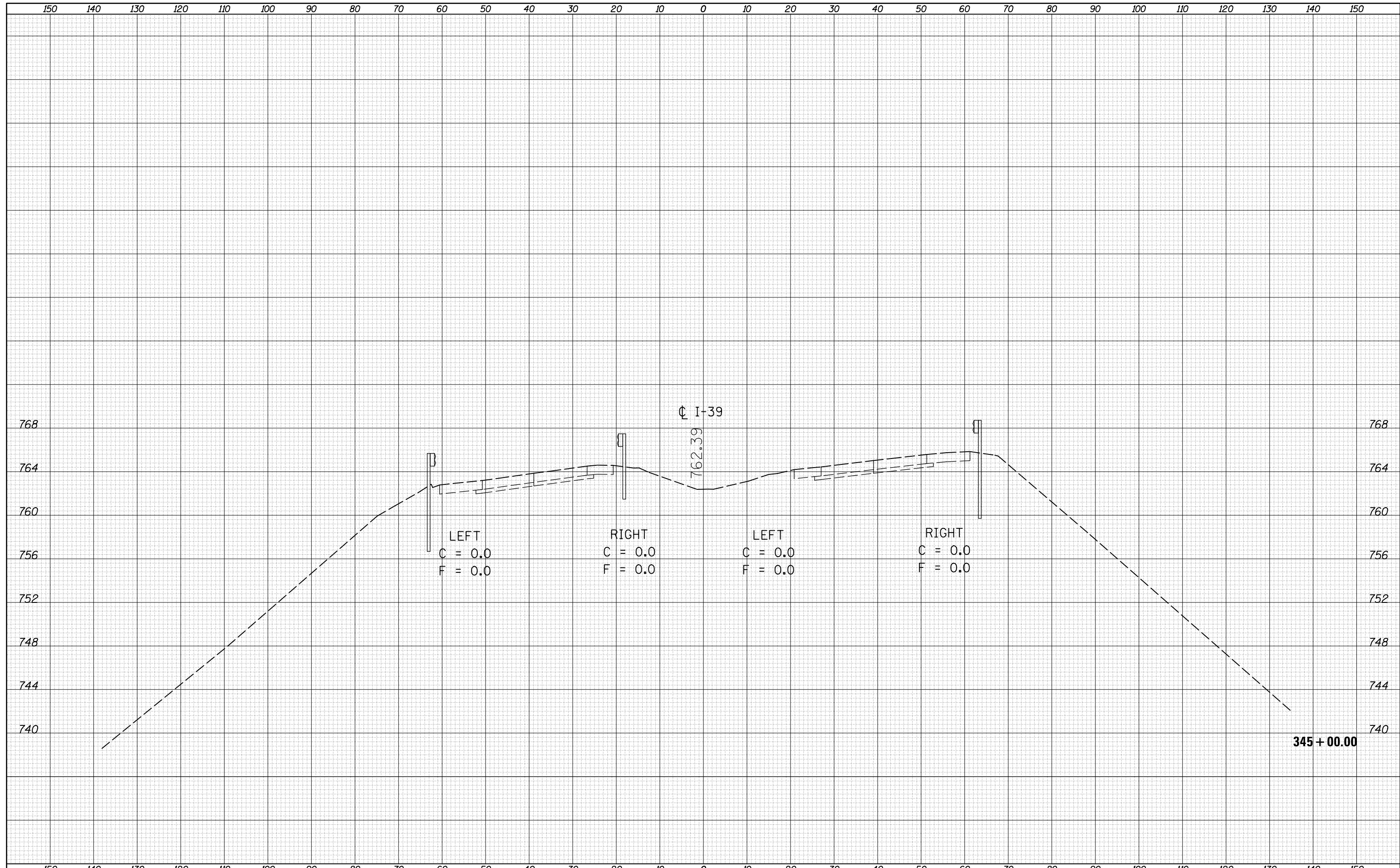
DATE	
BY	
ORIGINAL SURVEY	SURVEYED
NOTE BOOK	PLOTTED
NO.	TEMPLATE
	AREAS
	CHECKED



FILE NAME =	USER NAME = berganaj	DESIGNED -	REVISED -	STATE OF ILLINOIS DEPARTMENT OF TRANSPORTATION	CROSS SECTION SHEETS (I-39 - CRC SECTION)			F.A.I. RTE.	SECTION	COUNTY	TOTAL SHEETS	SHEET NO.
c:\pw_work\pwidot\berganaj\d8373914\0570A20-SH	T-XS-I39_Location_2.dgn	DRAWN -	REVISED -					39	(57-3,57-4)RS	MCLEAN	94	75
MODELNAME	PLOT SCALE = 20.0000' / in.	CHECKED -	REVISED -		CONTRACT NO. 70A20			ILLINOIS FED. AID PROJECT				
	PLOT DATE = 3/18/2014	DATE -	REVISED -		SCALE:	SHEET 26	OF 45 SHEETS	STA. 344+00.00	TO STA. 344+00.00			

DATE	
BY	
FINAL SURVEY	SURVEYED
NOTE BOOK	PLOTTED
NO.	TEMPLATE
	AREAS
	CHECKED

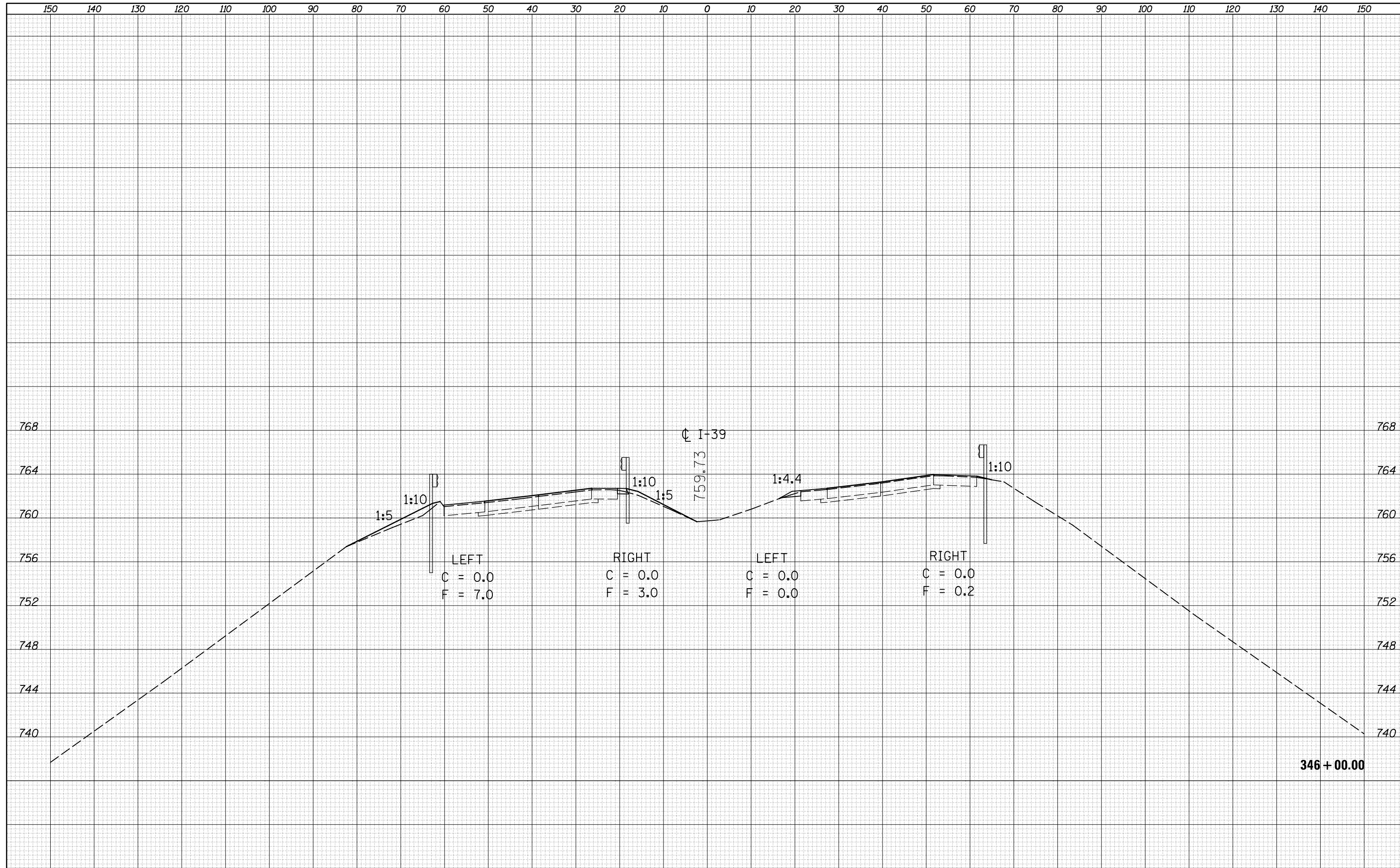
DATE	
BY	
ORIGINAL SURVEY	SURVEYED
NOTE BOOK	PLOTTED
NO.	TEMPLATE
	AREAS
	CHECKED



FILE NAME =	USER NAME = berganaj	DESIGNED -	REVISED -	STATE OF ILLINOIS DEPARTMENT OF TRANSPORTATION	CROSS SECTION SHEETS (I-39 - CRC SECTION)	F.A.I. RTE.	SECTION	COUNTY	TOTAL SHEETS	SHEET NO.
c:\pw_work\pwwork\berganaj\d8373914\0570A20-SH	T-XS-I39_Location_2.dgn	DRAWN -	REVISED -			39	(57-3,57-4)RS	MCLEAN	94	76
	PLOT SCALE = 20.0000' / in.	CHECKED -	REVISED -			CONTRACT NO. 70A20				
MODELNAME	PLOT DATE = 3/18/2014	DATE -	REVISED -			SCALE:	SHEET 27 OF 45 SHEETS	STA. 345+00.00 TO STA. 345+00.00	ILLINOIS FED. AID PROJECT	

DATE	
BY	
FINAL SURVEY NO.	
SURVEYED PLOTTED	
NOTE BOOK	
TEMPLATE AREAS CHECKED	

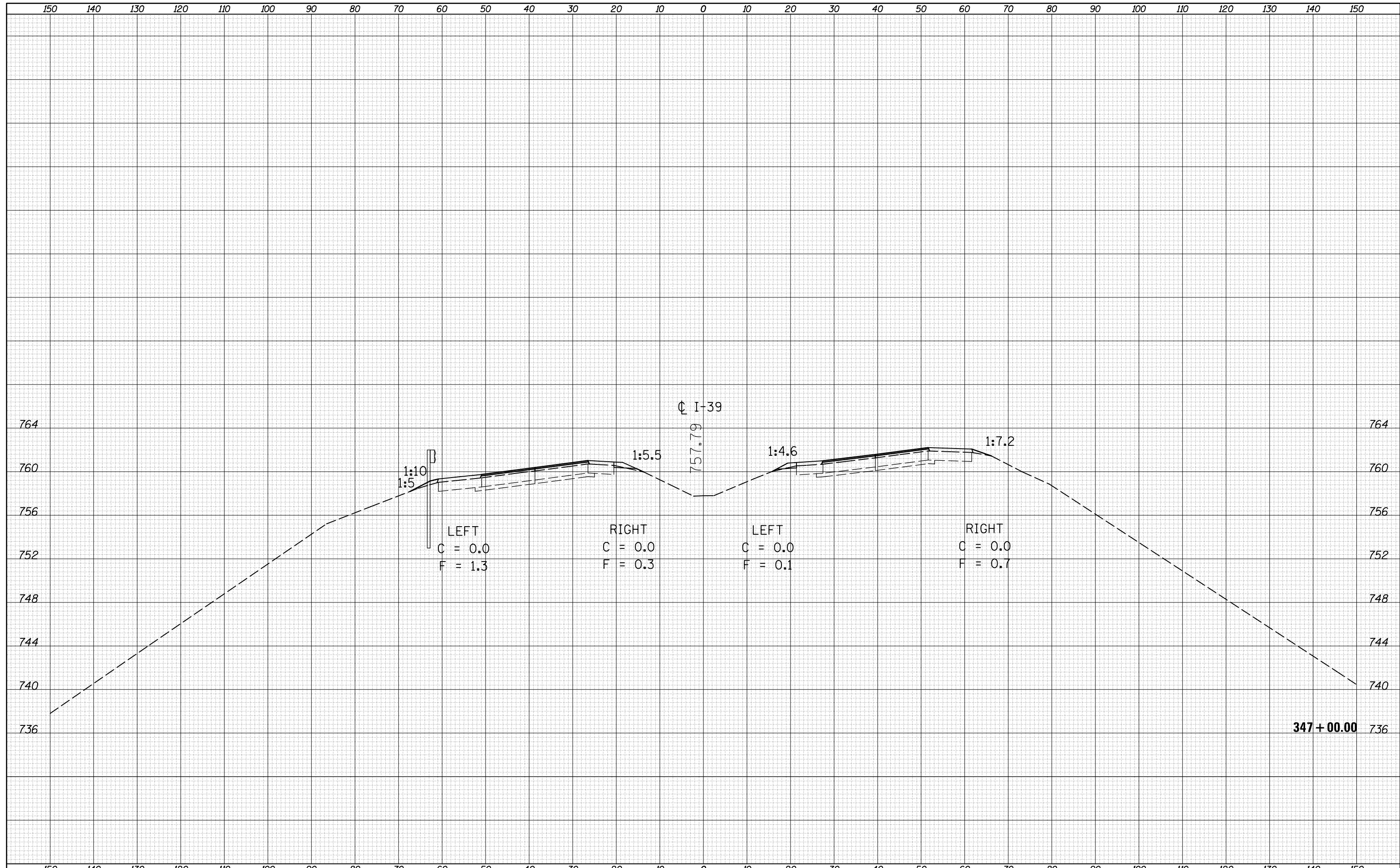
DATE	
BY	
ORIGINAL SURVEY NO.	
SURVEYED PLOTTED	
NOTE BOOK	
TEMPLATE AREAS CHECKED	



FILE NAME =	USER NAME = berganaj	DESIGNED -	REVISED -	STATE OF ILLINOIS DEPARTMENT OF TRANSPORTATION	CROSS SECTION SHEETS (I-39 - CRC SECTION)	F.A.I. RTE.	SECTION	COUNTY	TOTAL SHEETS	SHEET NO.	
c:\pw_work\pwidot\berganaj\d8373914\0570A20-SH	T-XS-I39_Location_2.dgn	DRAWN -	REVISED -			39	(57-3,57-4)RS	MCLEAN	94	77	
	PLOT SCALE = 20.0000' / in.	CHECKED -	REVISED -			CONTRACT NO. 70A20					
MODELNAME	PLOT DATE = 3/18/2014	DATE -	REVISED -			SCALE:	SHEET 28	OF 45 SHEETS	STA. 346+00.00	TO STA. 346+00.00	ILLINOIS FED. AID PROJECT

DATE	
BY	
SURVEYED	
PLOTTED	
TEMPLATE	
AREAS	
CHECKED	
FINAL SURVEY	
NOTE BOOK	
NO.	

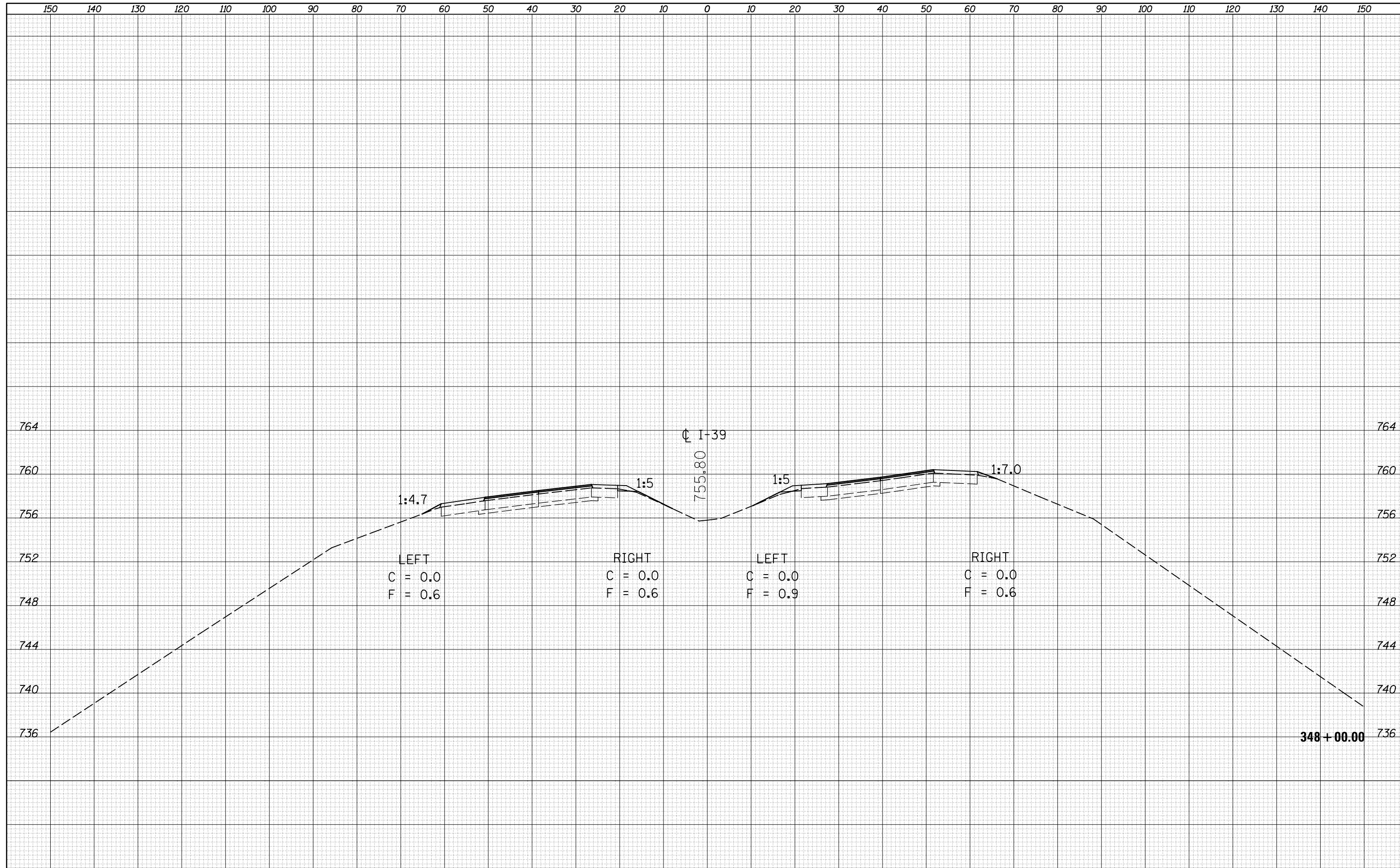
DATE	
BY	
SURVEYED	
PLOTTED	
TEMPLATE	
AREAS	
CHECKED	
ORIGINAL SURVEY	
NOTE BOOK	
NO.	



FILE NAME =	USER NAME = berganaj	DESIGNED -	REVISED -	STATE OF ILLINOIS DEPARTMENT OF TRANSPORTATION	CROSS SECTION SHEETS (I-39 - CRC SECTION)			F.A.I. RTE.	SECTION	COUNTY	TOTAL SHEETS	SHEET NO.
c:\pw_work\pwwork\berganaj\d8373914\0570A20-SH	T-XS-I39_Location_2.dgn	DRAWN -	REVISED -					39	(57-3,57-4)RS	MCLEAN	94	78
MODELNAME	PLOT SCALE = 20.0000' / in.	CHECKED -	REVISED -		CONTRACT NO. 70A20							
	PLOT DATE = 3/18/2014	DATE -	REVISED -		SCALE:	SHEET 29	OF 45 SHEETS	STA. 347+00.00	TO STA. 347+00.00	ILLINOIS FED. AID PROJECT		

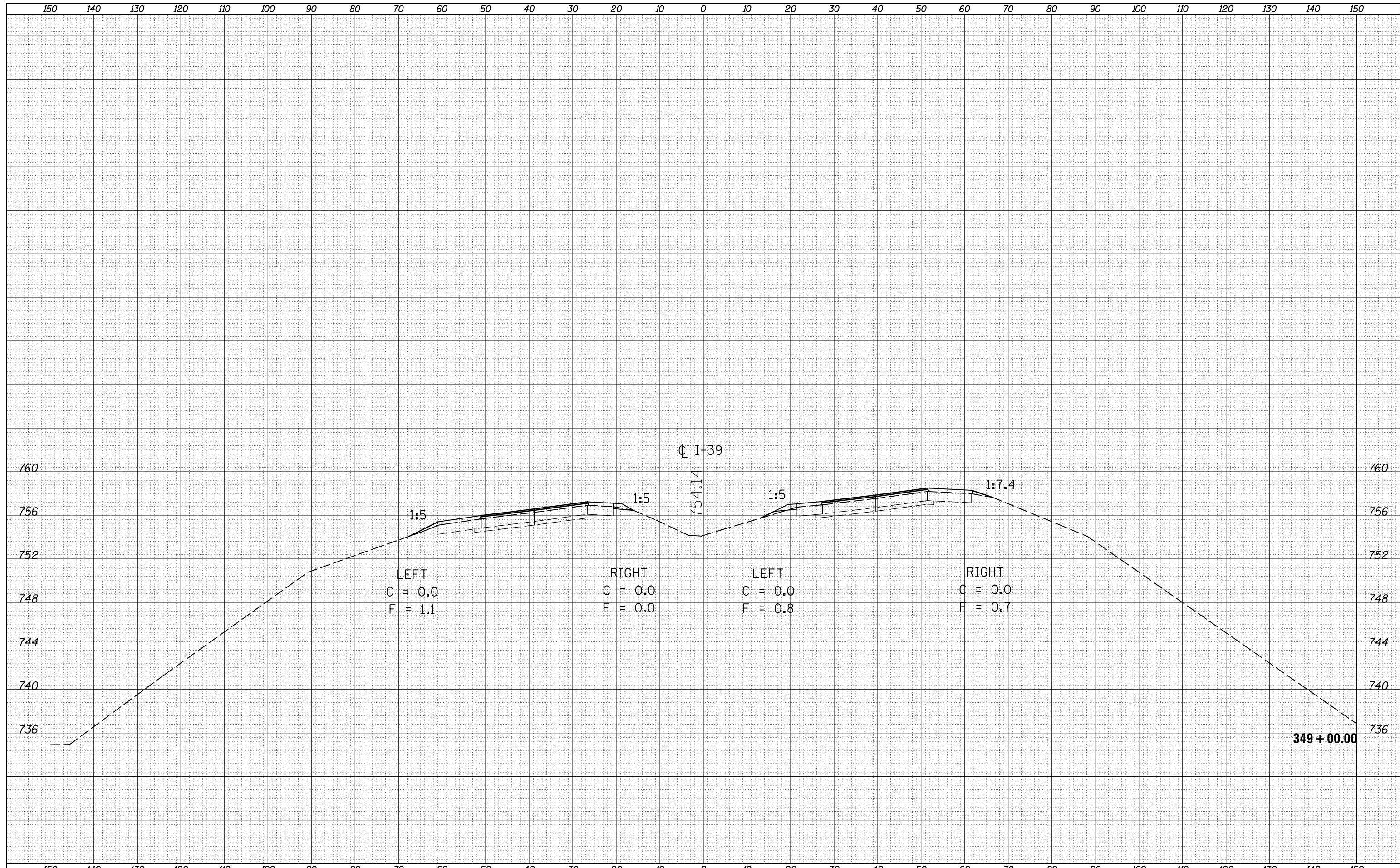
DATE	
BY	
FINAL SURVEY	SURVEYED
NOTE BOOK	PLOTTED
NO.	TEMPLATE
	AREAS CHECKED

DATE	
BY	
ORIGINAL SURVEY	SURVEYED
NOTE BOOK	PLOTTED
NO.	TEMPLATE
	AREAS CHECKED



DATE	
BY	
SURVEYED	
PLOTTED	
TEMPLATE	
AREAS	
CHECKED	
FINAL SURVEY	
NOTE BOOK	
NO.	

DATE	
BY	
SURVEYED	
PLOTTED	
TEMPLATE	
AREAS	
CHECKED	
ORIGINAL SURVEY	
NOTE BOOK	
NO.	



FILE NAME =	USER NAME = berganaj	DESIGNED -	REVISED -				
c:\pw_work\pwork\berganaj\d8373914\0570A20-SH	T-XS-I39_Location_2.dgn	DRAWN -	REVISED -				
	PLOT SCALE = 20.0000' / in.	CHECKED -	REVISED -				
MODELNAME	PLOT DATE = 3/18/2014	DATE -	REVISED -				

STATE OF ILLINOIS
DEPARTMENT OF TRANSPORTATION

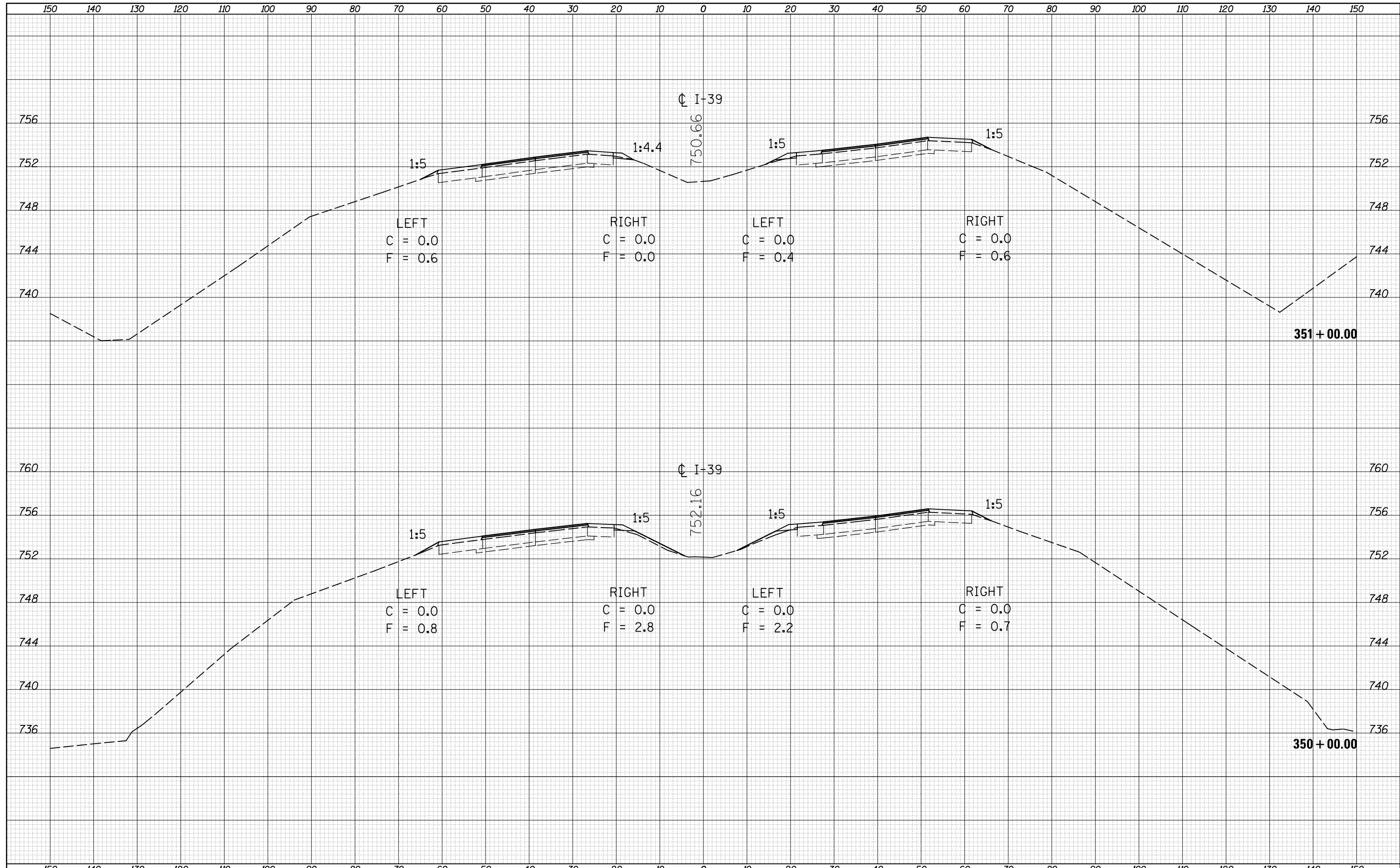
CROSS SECTION SHEETS
(I-39 - CRC SECTION)

SCALE: SHEET 31 OF 45 SHEETS STA. 349+00.00 TO STA. 349+00.00

F.A.I. RTE.	SECTION	COUNTY	TOTAL SHEETS	SHEET NO.
39	(57-3,57-4)RS	MCLEAN	94	80
CONTRACT NO. 70A20			ILLINOIS FED. AID PROJECT	

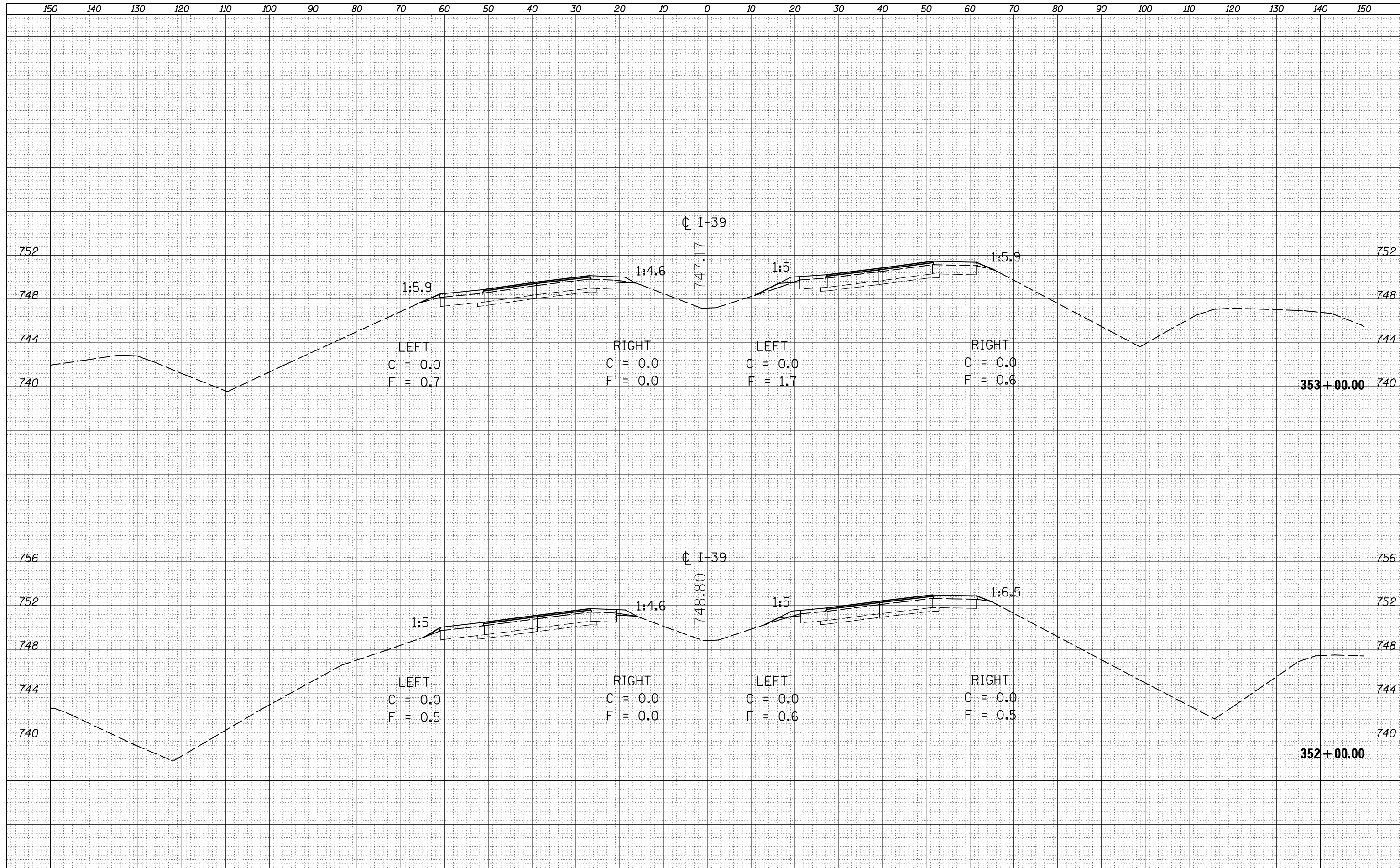
DATE	
BY	
FINAL SURVEY	
SURVEYED	
PLOTTED	
TEMPLATE	
NOTE BOOK	
AREAS CHECKED	
NO.	

DATE	
BY	
ORIGINAL SURVEY	
SURVEYED	
PLOTTED	
TEMPLATE	
NOTE BOOK	
AREAS CHECKED	
NO.	



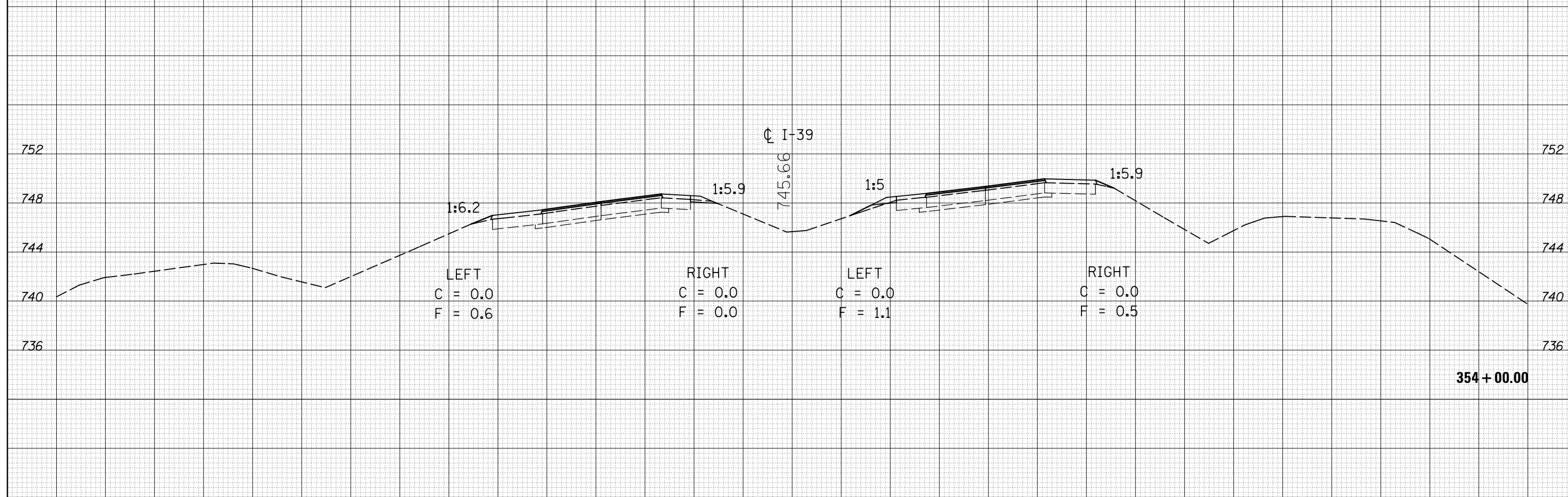
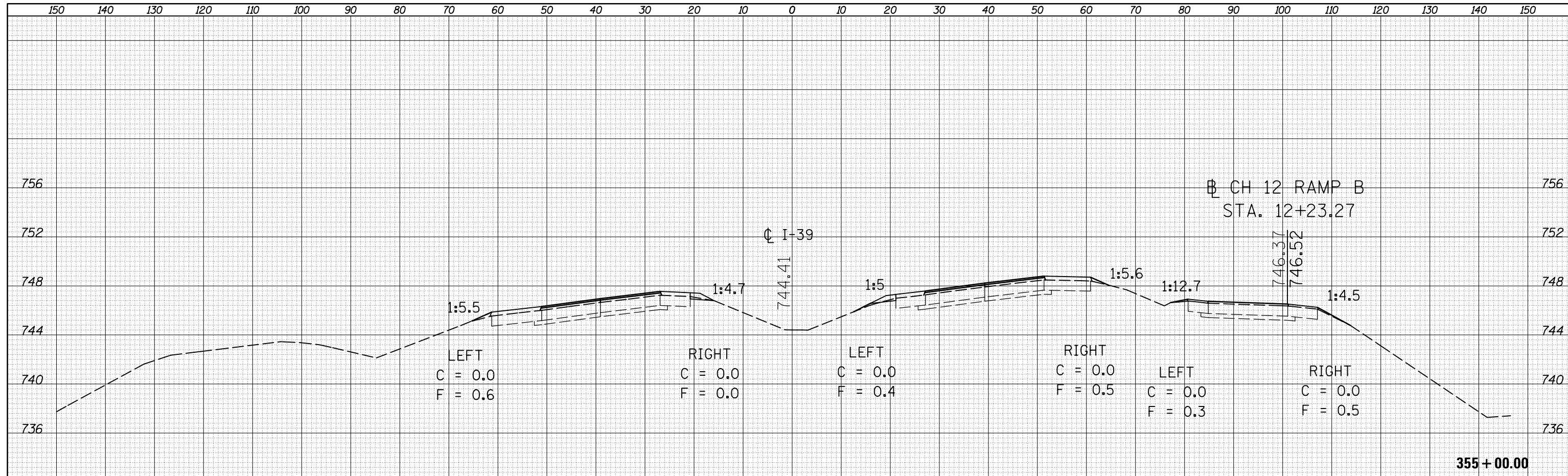
DATE	
BY	
FINAL SURVEY	SURVEYED
NOTE BOOK	PLOTTED
NO.	TEMPLATE
	AREAS
	CHECKED

DATE	
BY	
ORIGINAL SURVEY	SURVEYED
NOTE BOOK	PLOTTED
NO.	TEMPLATE
	AREAS
	CHECKED



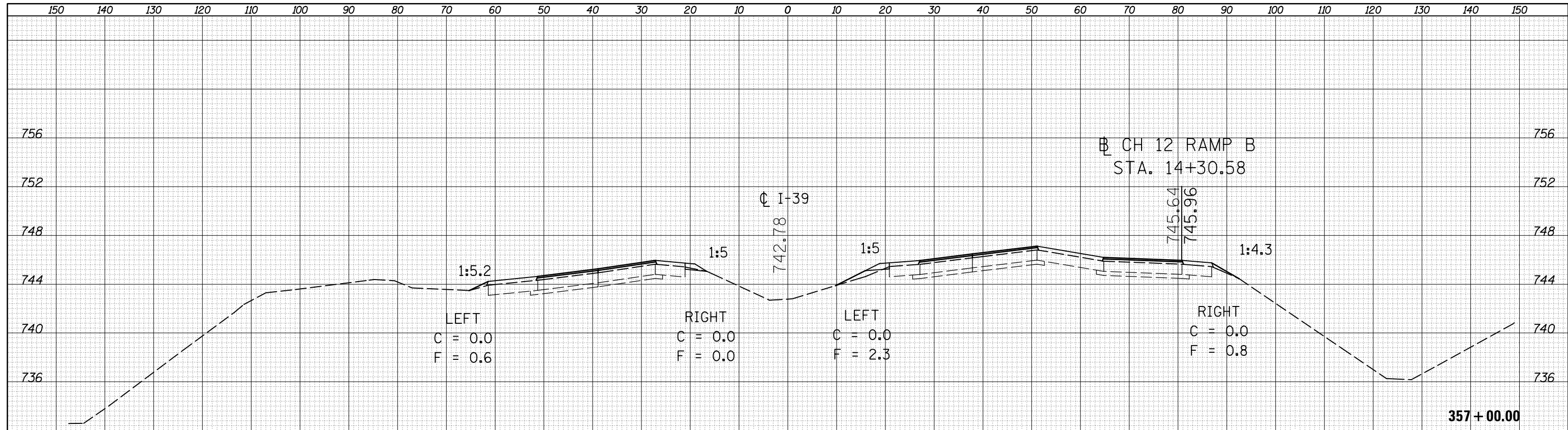
DATE	
BY	
FINAL SURVEY	SURVEYED
NOTE BOOK	PLOTTED
NO.	TEMPLATE
	AREAS CHECKED

DATE	
BY	
ORIGINAL SURVEY	SURVEYED
NOTE BOOK	PLOTTED
NO.	TEMPLATE
	AREAS CHECKED

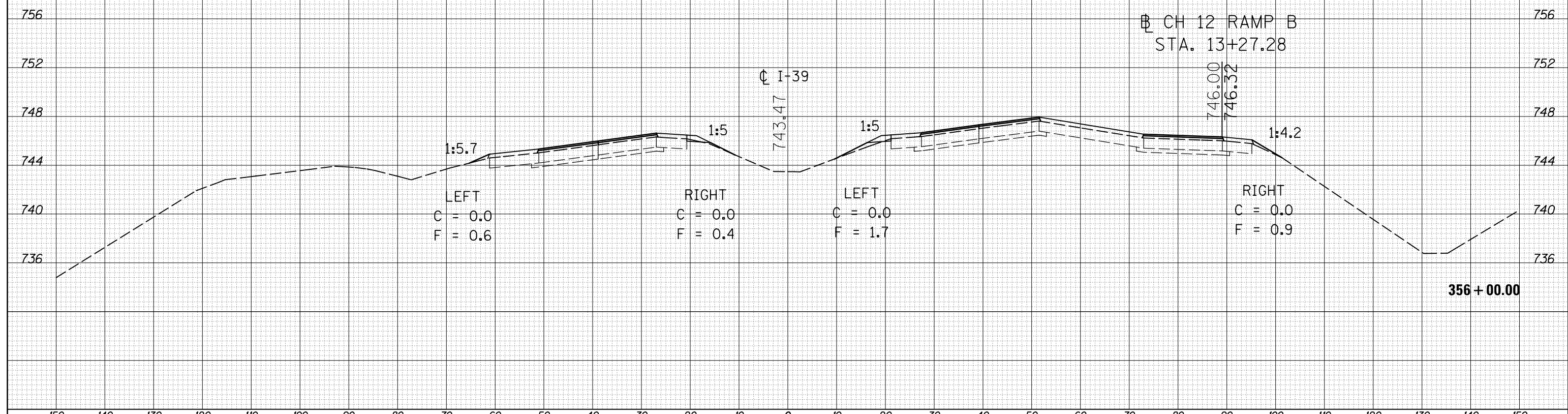


FILE NAME =	USER NAME = berganaj	DESIGNED -	REVISED -	STATE OF ILLINOIS DEPARTMENT OF TRANSPORTATION	CROSS SECTION SHEETS (I-39 - CRC SECTION)			F.A.I. RTE.	SECTION	COUNTY	TOTAL SHEETS	SHEET NO.
c:\pw_work\pwidot\berganaj\d8373914\0570A20-SH	T-XS-I39_Location_2.dgn	DRAWN -	REVISED -					39	(57-3,57-4)RS	MCLEAN	94	83
MODELNAME	PLOT SCALE = 20.0000' / in.	CHECKED -	REVISED -		CONTRACT NO. 70A20			ILLINOIS FED. AID PROJECT				
	PLOT DATE = 3/18/2014	DATE -	REVISED -		SCALE:	SHEET 34	OF 45 SHEETS	STA. 354+00.00	TO STA. 355+00.00			

DATE	
BY	
FINAL SURVEY	
SURVEYED	
PLOTTED	
TEMPLATE	
NOTE BOOK	
AREAS CHECKED	
NO.	



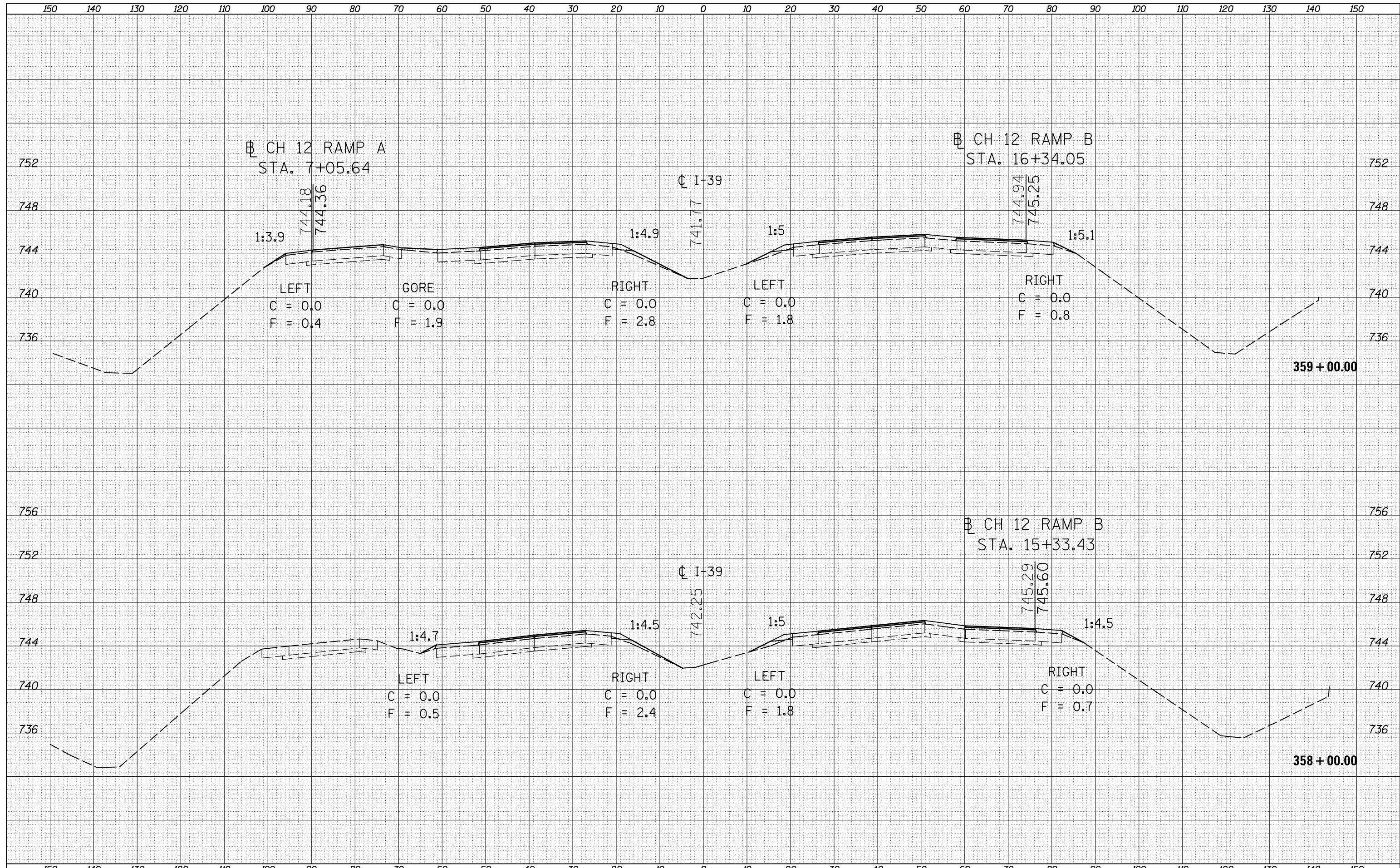
DATE	
BY	
ORIGINAL SURVEY	
SURVEYED	
PLOTTED	
TEMPLATE	
NOTE BOOK	
AREAS CHECKED	
NO.	



FILE NAME =	USER NAME = berganaj	DESIGNED -	REVISED -	STATE OF ILLINOIS DEPARTMENT OF TRANSPORTATION	CROSS SECTION SHEETS (I-39 - CRC SECTION)			F.A.I. RTE.	SECTION	COUNTY	TOTAL SHEETS	SHEET NO.
c:\pw_work\pwwork\berganaj\d8373914\0570A20-SH	T-XS-I39_Location_2.dgn	DRAWN -	REVISED -					39	(57-3,57-4)RS	MCLEAN	94	84
MODELNAME	PLOT SCALE = 20.0000' / in.	CHECKED -	REVISED -		CONTRACT NO. 70A20							
	PLOT DATE = 3/18/2014	DATE -	REVISED -		ILLINOIS FED. AID PROJECT							
					SCALE:	SHEET 35 OF 45 SHEETS			STA. 356+00.00 TO STA. 357+00.00			

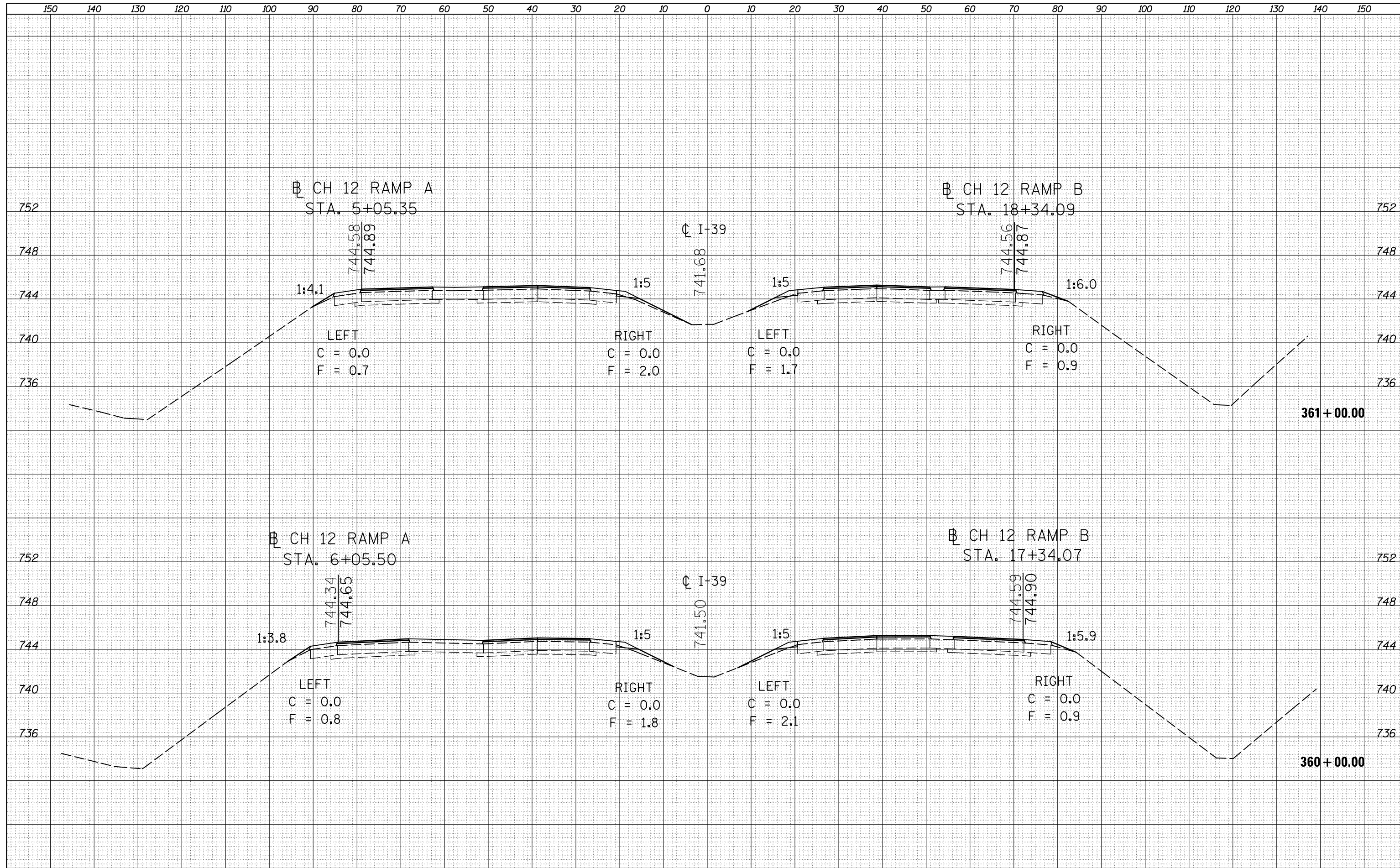
DATE	
BY	
FINAL SURVEY	
SURVEYED	
PLOTTED	
TEMPLATE	
NOTE BOOK	
AREAS CHECKED	
NO.	

DATE	
BY	
ORIGINAL SURVEY	
SURVEYED	
PLOTTED	
TEMPLATE	
NOTE BOOK	
AREAS CHECKED	
NO.	



DATE	
BY	
SURVEYED	
PLOTTED	
TEMPLATE	
AREAS CHECKED	
NO.	

DATE	
BY	
SURVEYED	
PLOTTED	
TEMPLATE	
AREAS CHECKED	
NO.	



FILE NAME =
 c:\pw_work\pwidot\berganaj\d8373914\0570A20-SH

USER NAME = berganaj
 T-XS-I39_Location_2.dgn
 PLOT SCALE = 20.0000' / in.
 PLOT DATE = 3/18/2014

DESIGNED -
 DRAWN -
 CHECKED -
 DATE -

REVISED -
 REVISED -
 REVISED -
 REVISED -

**STATE OF ILLINOIS
 DEPARTMENT OF TRANSPORTATION**

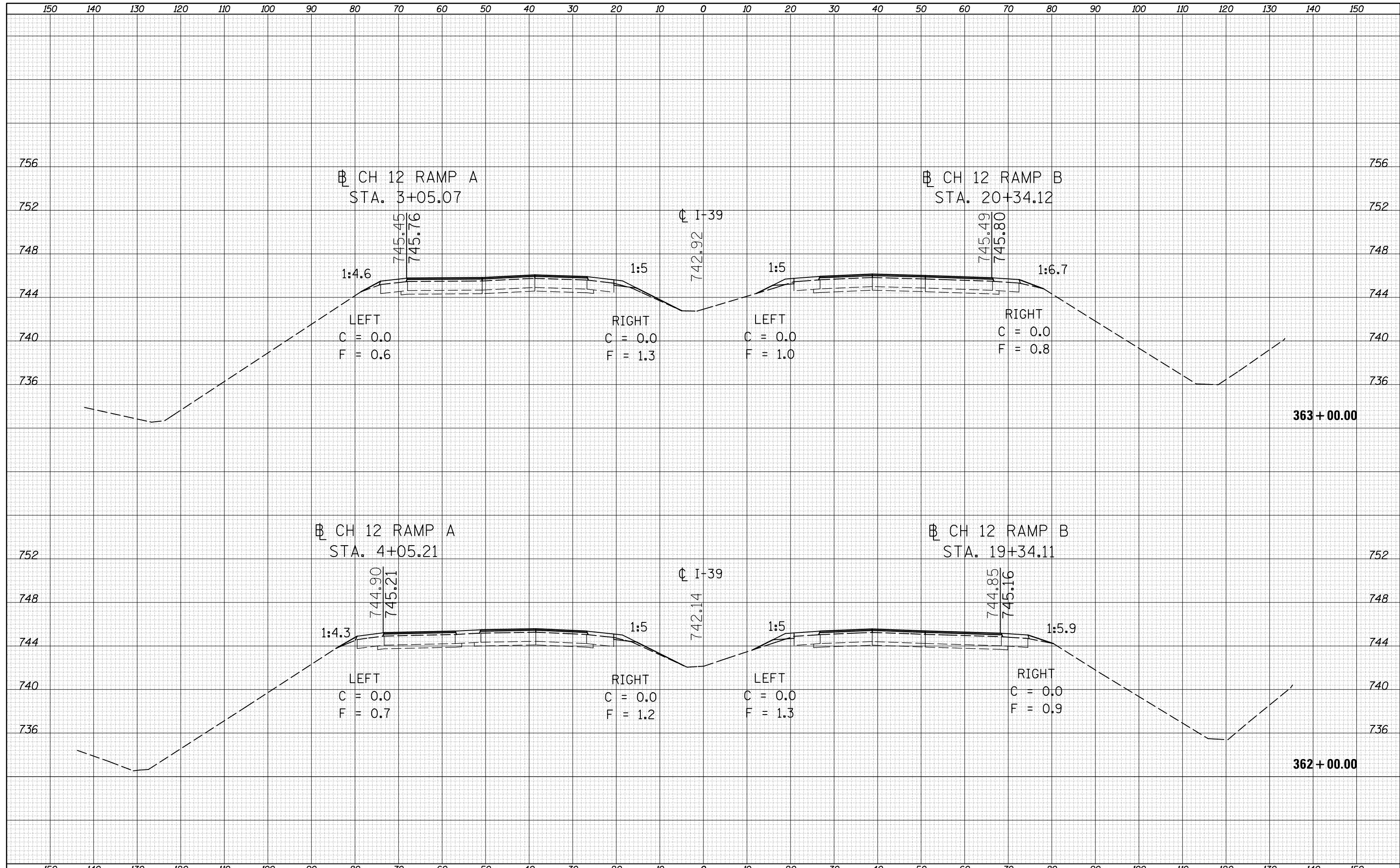
**CROSS SECTION SHEETS
 (I-39 - CRC SECTION)**

SCALE: SHEET 37 OF 45 SHEETS STA. 360+00.00 TO STA. 361+00.00

F.A.I. RTE.	SECTION	COUNTY	TOTAL SHEETS	SHEET NO.
39	(57-3,57-4)RS	MCLEAN	94	86
			CONTRACT NO. 70A20	
ILLINOIS FED. AID PROJECT				

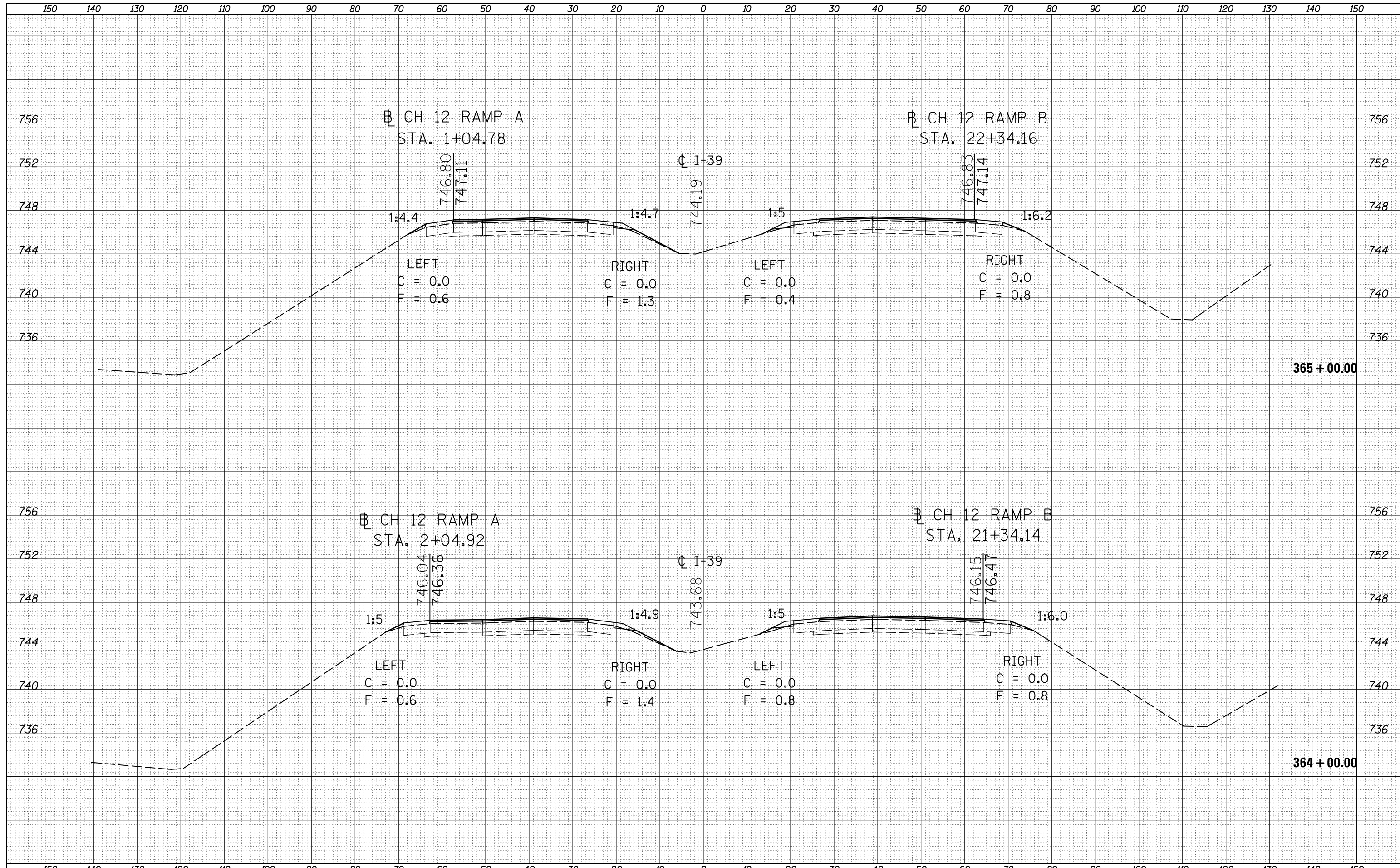
DATE	
BY	
SURVEYED	
PLOTTED	
TEMPLATE	
AREAS CHECKED	
FINAL SURVEY NO.	
NOTE BOOK NO.	

DATE	
BY	
SURVEYED	
PLOTTED	
TEMPLATE	
AREAS CHECKED	
ORIGINAL SURVEY NO.	
NOTE BOOK NO.	



DATE	
BY	
SURVEYED	
PLOTTED	
TEMPLATE	
AREAS	
CHECKED	
FINAL SURVEY	
NOTE BOOK	
NO.	

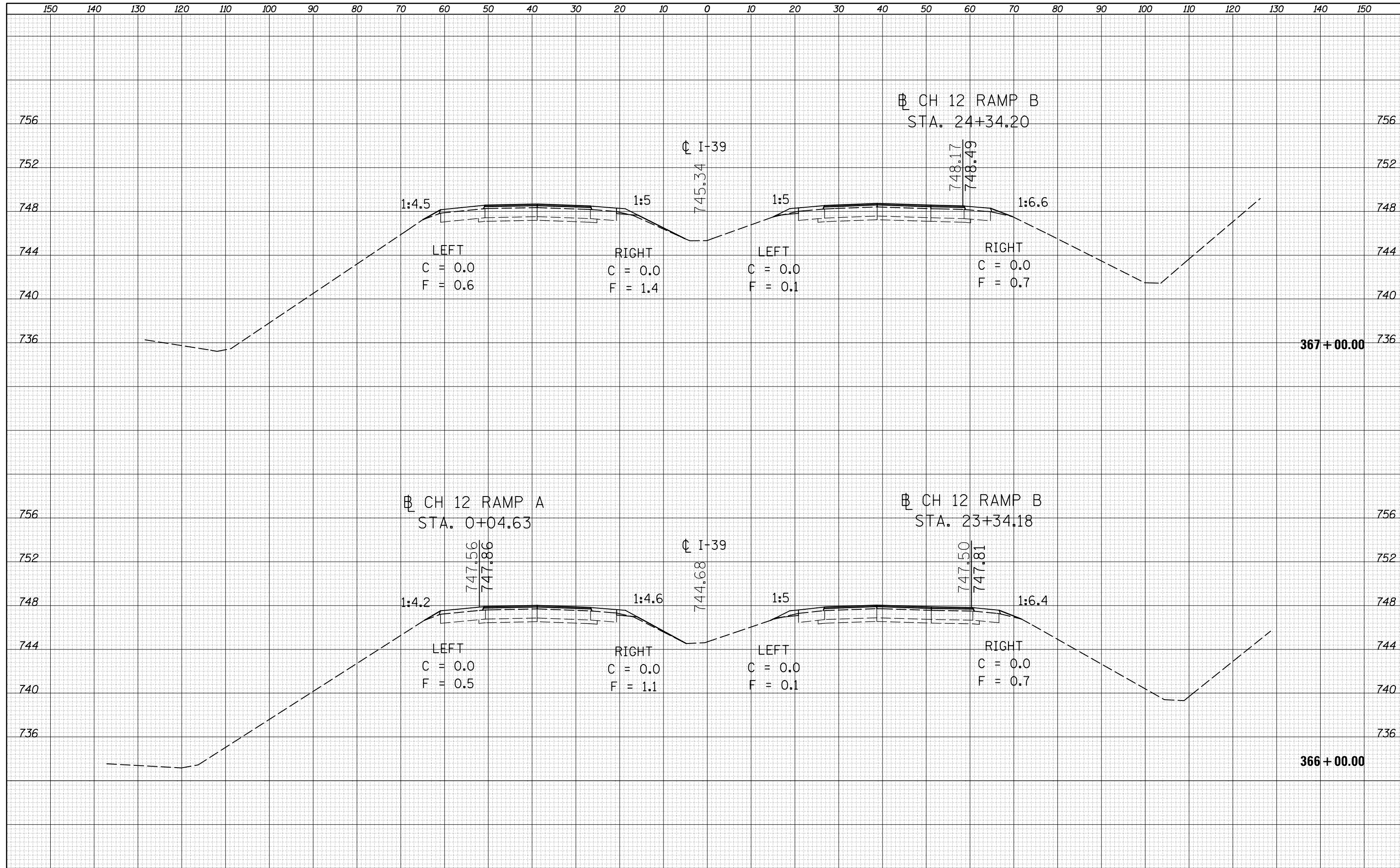
DATE	
BY	
SURVEYED	
PLOTTED	
TEMPLATE	
AREAS	
CHECKED	
ORIGINAL SURVEY	
NOTE BOOK	
NO.	



FILE NAME =	USER NAME = berganaj	DESIGNED -	REVISED -	STATE OF ILLINOIS DEPARTMENT OF TRANSPORTATION	CROSS SECTION SHEETS (I-39 - CRC SECTION)	F.A.I. RTE.	SECTION	COUNTY	TOTAL SHEETS	SHEET NO.
es:\pw_work\pwidot\berganaj\d8373914\0570A20-SH	T-XS-I39_Location_2.dgn	DRAWN -	REVISED -			39	(57-3,57-4)RS	MCLEAN	94	88
	PLOT SCALE = 20.0000' / in.	CHECKED -	REVISED -			CONTRACT NO. 70A20				
MODELNAME	PLOT DATE = 3/18/2014	DATE -	REVISED -			SCALE:	SHEET 39 OF 45 SHEETS	STA. 364+00.00 TO STA. 365+00.00	ILLINOIS FED. AID PROJECT	

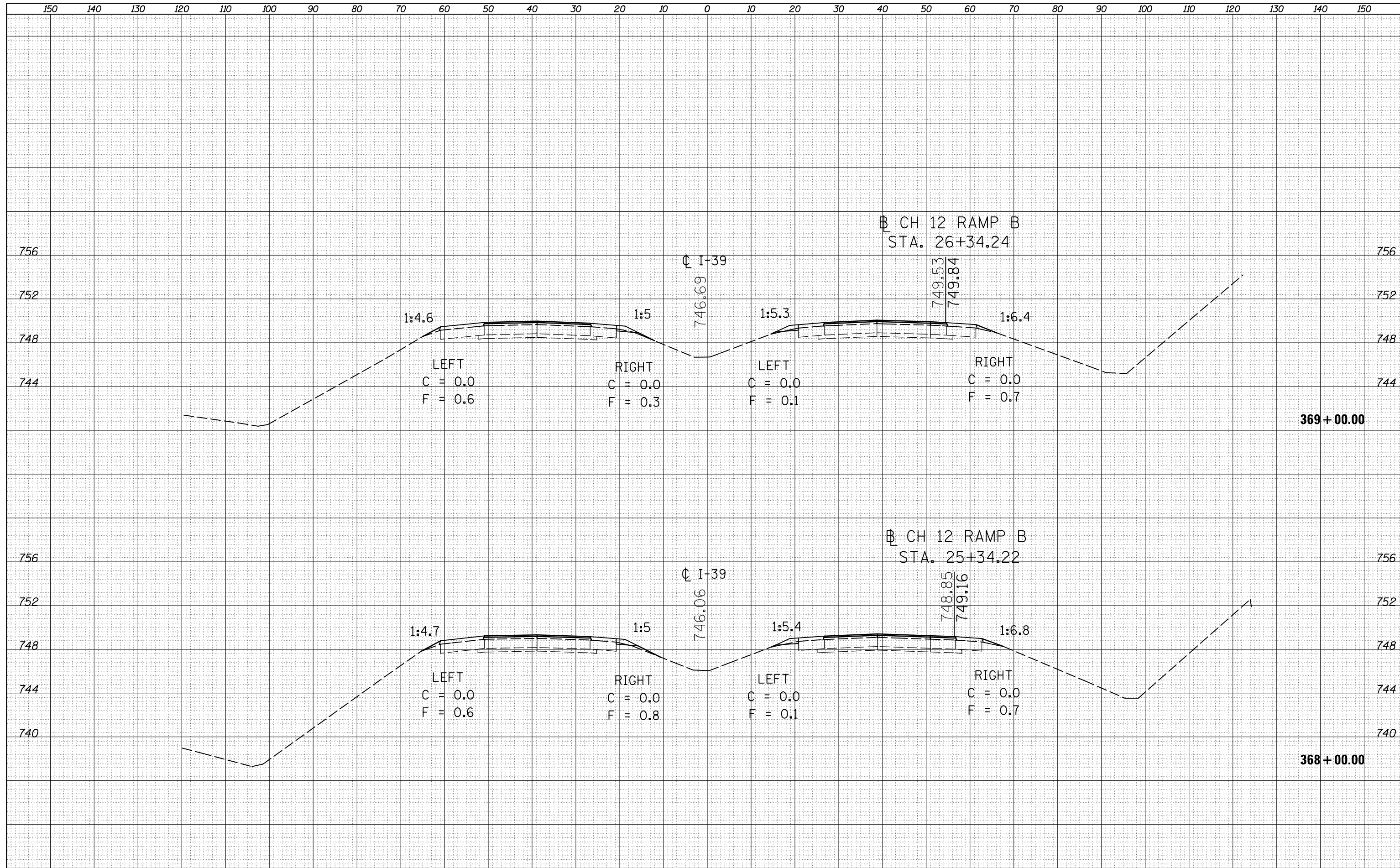
DATE	
BY	
FINAL SURVEY	
SURVEYED	
NOTE BOOK	
NO.	
PLOTTED	
TEMPLATE	
AREAS CHECKED	

DATE	
BY	
ORIGINAL SURVEY	
SURVEYED	
NOTE BOOK	
NO.	
PLOTTED	
TEMPLATE	
AREAS CHECKED	



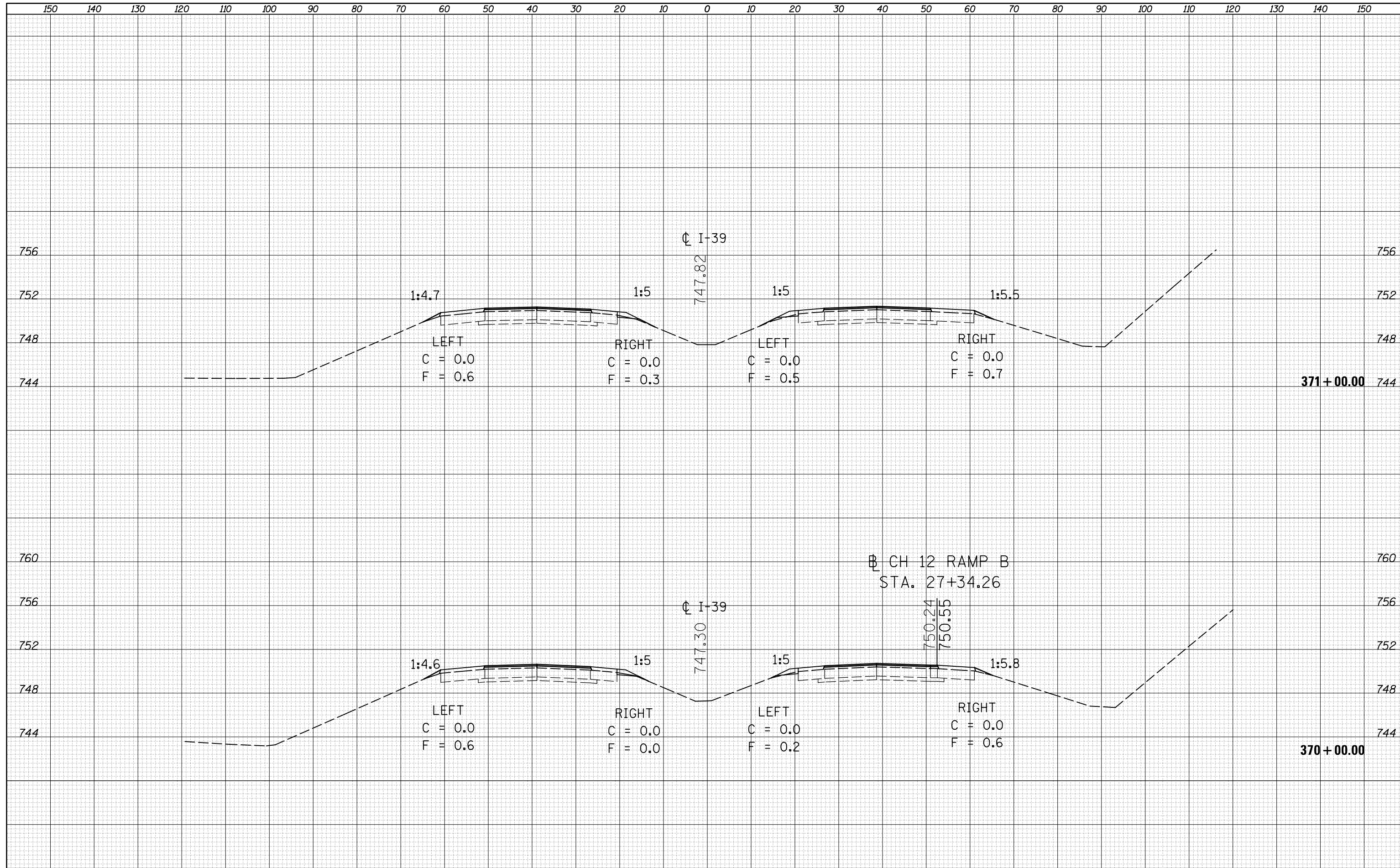
DATE	
BY	
FINAL SURVEY	
SURVEYED	
PLOTTED	
TEMPLATE	
NOTE BOOK	
AREAS CHECKED	
NO.	

DATE	
BY	
ORIGINAL SURVEY	
SURVEYED	
PLOTTED	
TEMPLATE	
NOTE BOOK	
AREAS CHECKED	
NO.	



DATE	
BY	
FINAL SURVEY	
SURVEYED	
PLOTTED	
TEMPLATE	
NOTE BOOK	
AREAS CHECKED	
NO.	

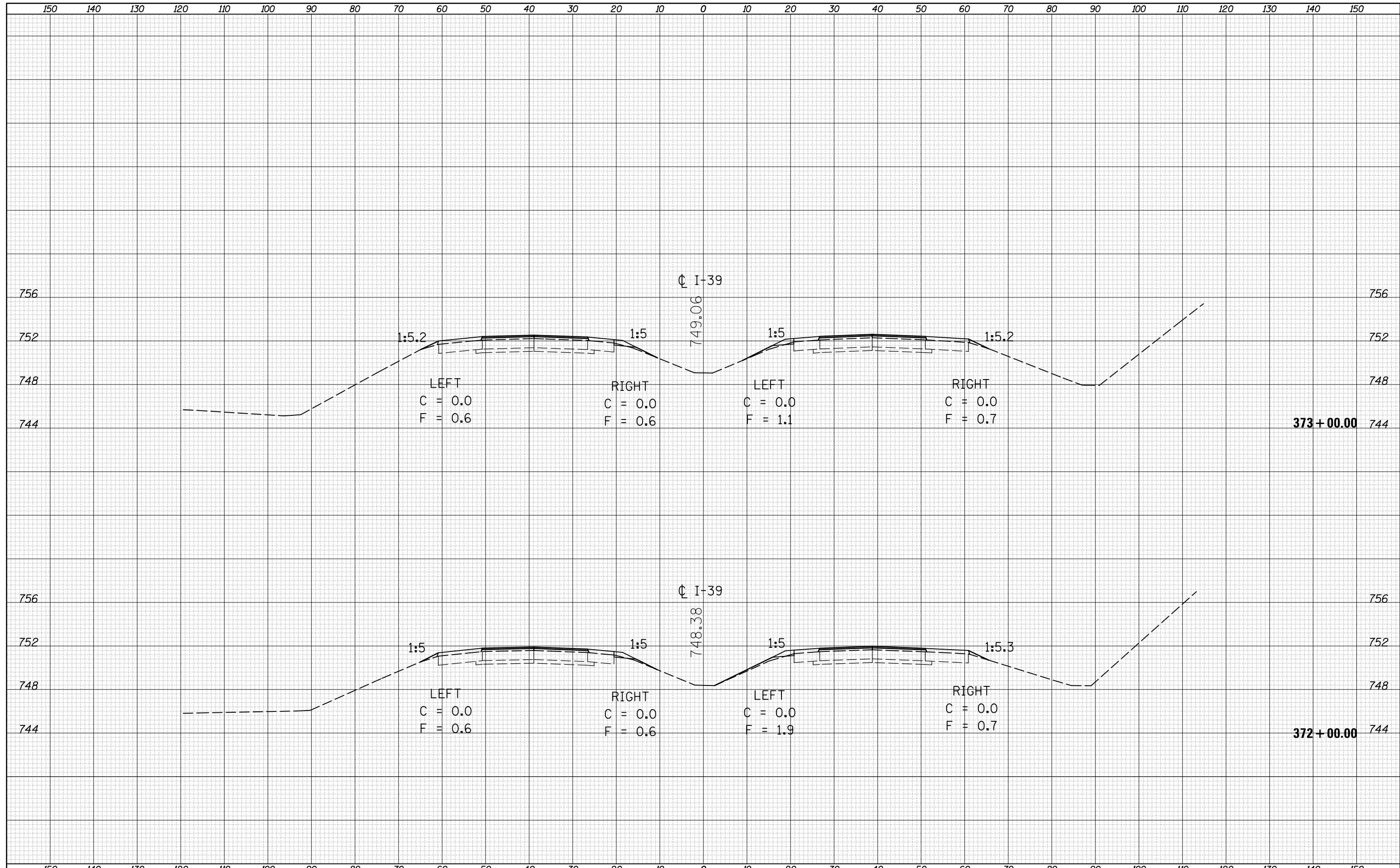
DATE	
BY	
ORIGINAL SURVEY	
SURVEYED	
PLOTTED	
TEMPLATE	
NOTE BOOK	
AREAS CHECKED	
NO.	



FILE NAME =	USER NAME = berganaj	DESIGNED -	REVISED -	STATE OF ILLINOIS DEPARTMENT OF TRANSPORTATION	CROSS SECTION SHEETS (I-39 - CRC SECTION)	F.A.I. RTE.	SECTION	COUNTY	TOTAL SHEETS	SHEET NO.	
c:\pw_work\pwidot\berganaj\d8373914\0570A20-SH	T-XS-I39_Location_2.dgn	DRAWN -	REVISED -			39	(57-3,57-4)RS	MCLEAN	94	91	
MODELNAME	PLOT SCALE = 20.0000' / in.	CHECKED -	REVISED -			CONTRACT NO. 70A20					
	PLOT DATE = 3/18/2014	DATE -	REVISED -			ILLINOIS FED. AID PROJECT					
					SCALE:	SHEET 42 OF 45 SHEETS STA. 370+00.00 TO STA. 371+00.00					

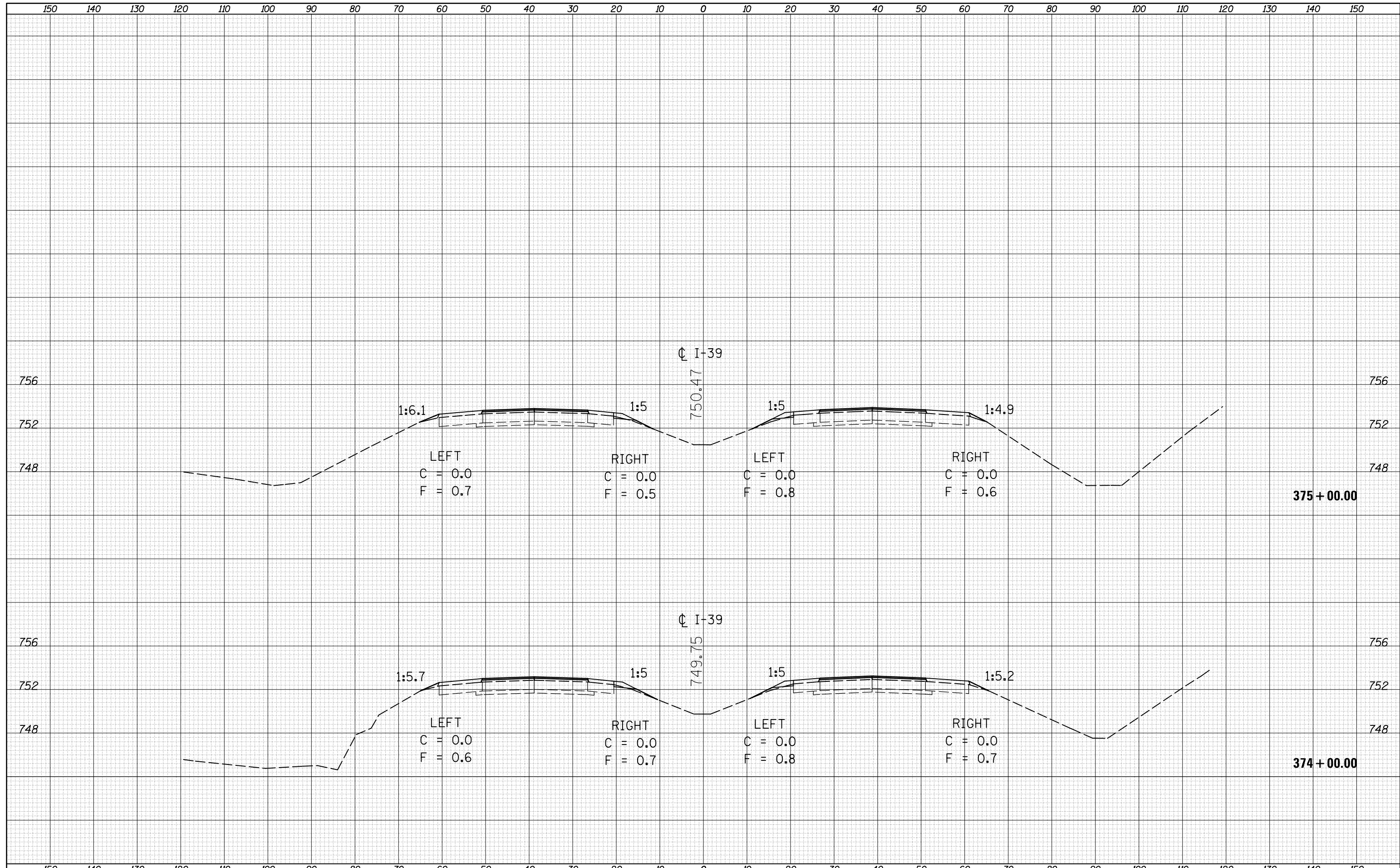
DATE	
BY	
SURVEYED	
PLOTTED	
TEMPLATE	
AREAS CHECKED	
FINAL SURVEY NOTE BOOK NO.	

DATE	
BY	
SURVEYED	
PLOTTED	
TEMPLATE	
AREAS CHECKED	
ORIGINAL SURVEY NOTE BOOK NO.	



DATE	
BY	
FINAL SURVEY NO.	
SURVEYED PLOTTED	
NOTE BOOK	
AREAS CHECKED	

DATE	
BY	
ORIGINAL SURVEY NO.	
SURVEYED PLOTTED	
NOTE BOOK	
AREAS CHECKED	



FILE NAME =	USER NAME = berganaj	DESIGNED -	REVISED -	STATE OF ILLINOIS DEPARTMENT OF TRANSPORTATION	CROSS SECTION SHEETS (I-39 - CRC SECTION)	F.A.I. RTE.	SECTION	COUNTY	TOTAL SHEETS	SHEET NO.	
c:\pw_work\pwidot\berganaj\d8373914\0570A20-SH	T-XS-I39_Location_2.dgn	DRAWN -	REVISED -			39	(57-3,57-4)RS	MCLEAN	94	93	
	PLOT SCALE = 20.0000' / in.	CHECKED -	REVISED -			CONTRACT NO. 70A20					
MODELNAME	PLOT DATE = 3/18/2014	DATE -	REVISED -			ILLINOIS FED. AID PROJECT					

SCALE: SHEET 44 OF 45 SHEETS STA. 374+00.00 TO STA. 375+00.00

DATE	
BY	
SURVEYED	
PLOTTED	
TEMPLATE	
AREAS CHECKED	
FINAL SURVEY NOTE BOOK NO.	

DATE	
BY	
SURVEYED	
PLOTTED	
TEMPLATE	
AREAS CHECKED	
ORIGINAL SURVEY NOTE BOOK NO.	

