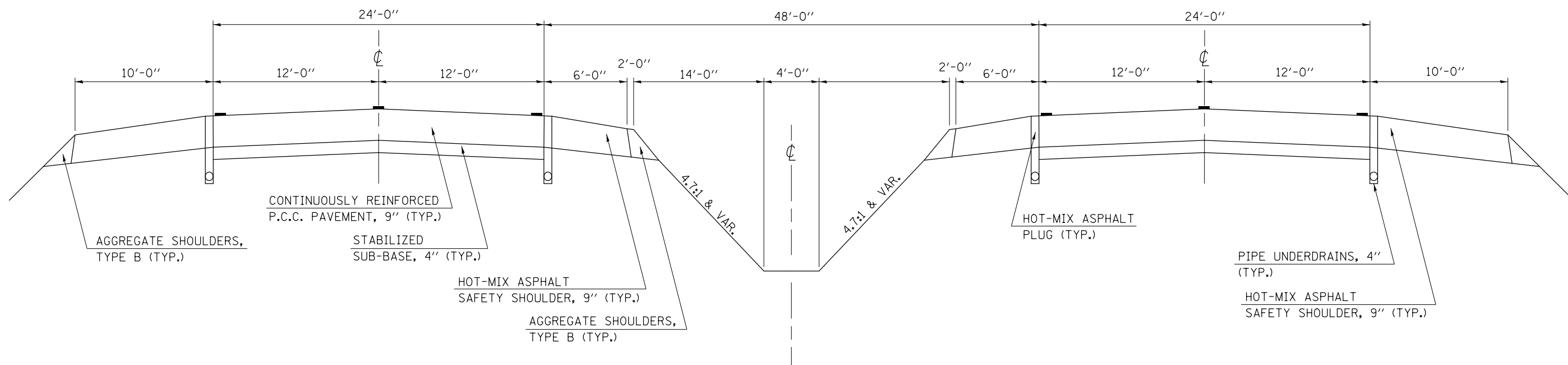


EXISTING TYPICAL CROSS SECTION – F.A.P. 322 (U.S. 51)

STATION TO STATION
299+10.00 1360+25.00

STATION EQUATIONS

335+00.00 BK = 736+14.79 AH
880+16.13 BK = 880+15.45 AH
944+00.00 BK = 544+42.74 AH
802+56.61 BK = 1165+21.68 AH

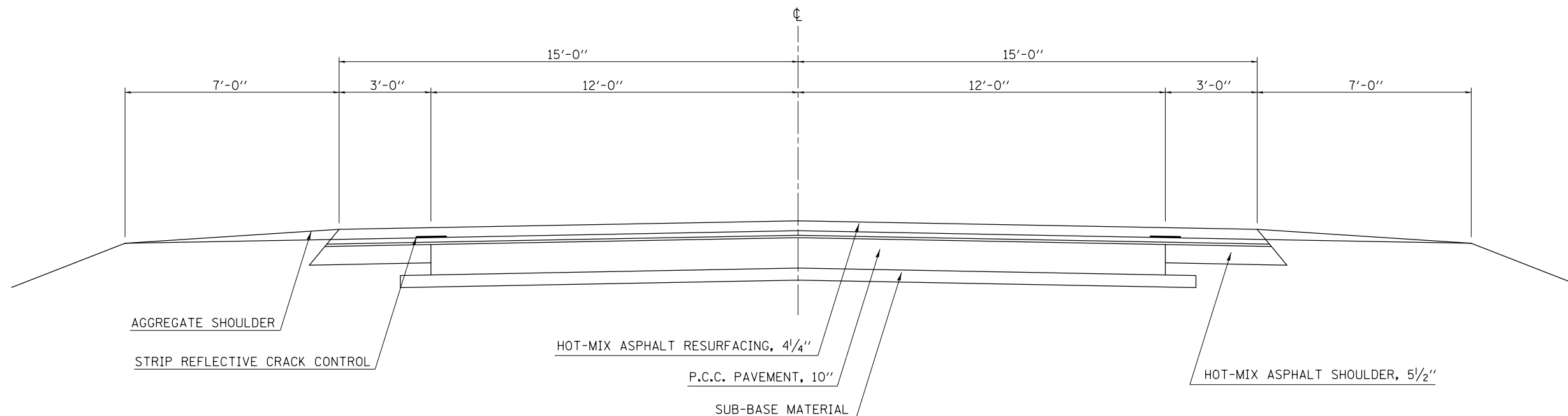


EXISTING TYPICAL CROSS SECTION F.A.P. 317 – (U.S. 24)

STATION TO STATION
28+00.00 318+40.00
1521+80.00 1553+48.00

STATION EQUATION

1604+68.00 BK = 0+00.00 AH



• MCLEAN & DEWITT COUNTIES
• FAP 317 & FAP 322

| | | | |
|--|-----------------------------|-----------------|-----------|
| FILE NAME = | USER NAME = ceerlockjd | DESIGNED - | REVISED - |
| ce:\pwork\pwork\ceerlockjd\0379806\0570A34-sht-typical.dgn | | DRAWN - | REVISED - |
| | PLOT SCALE = 40.0000' / in. | CHECKED - | REVISED - |
| \$MODELNAME\$ | PLOT DATE = 3/19/2014 | DATE - 01/30/14 | REVISED - |

STATE OF ILLINOIS
DEPARTMENT OF TRANSPORTATION

TYPICAL CROSS SECTIONS

SCALE: N/A SHEET 1 OF 2 SHEETS STA. TO STA.

| F.A.P. RTE. | SECTION | COUNTY | TOTAL SHEETS | SHEET NO. |
|---------------------------|--------------------|--------|--------------------|-----------|
| •• | D5 PATCHING 2014-1 | • | 6 | 5 |
| | | | CONTRACT NO. 70A34 | |
| ILLINOIS FED. AID PROJECT | | | | |