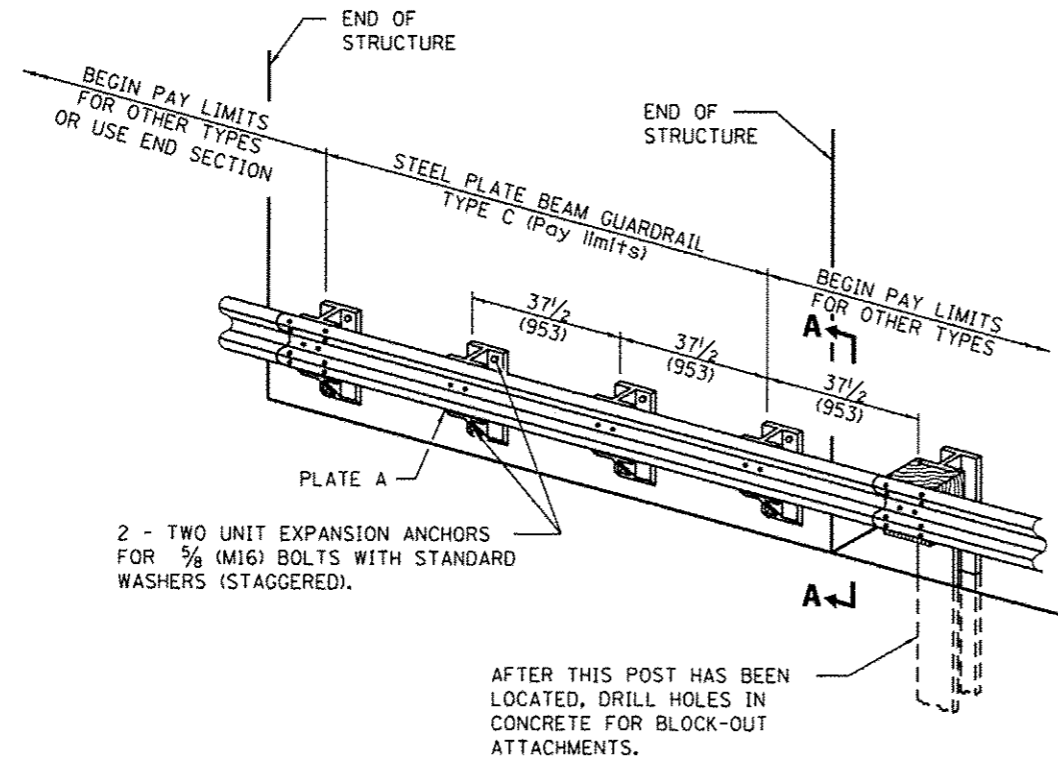
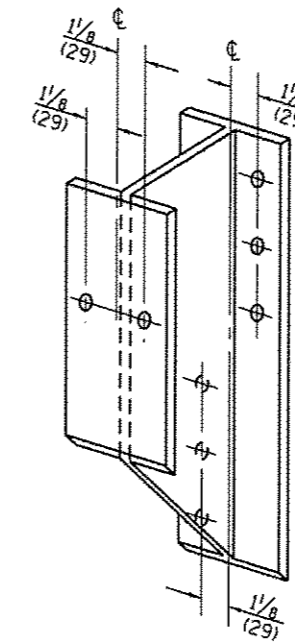


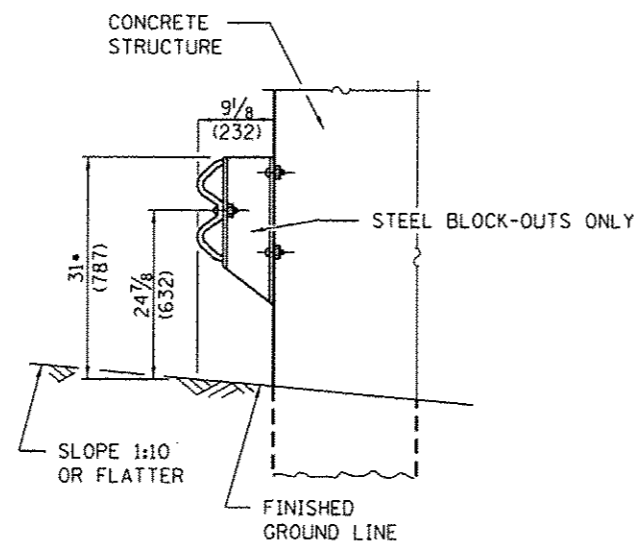
\* Sheet 27 Deleted



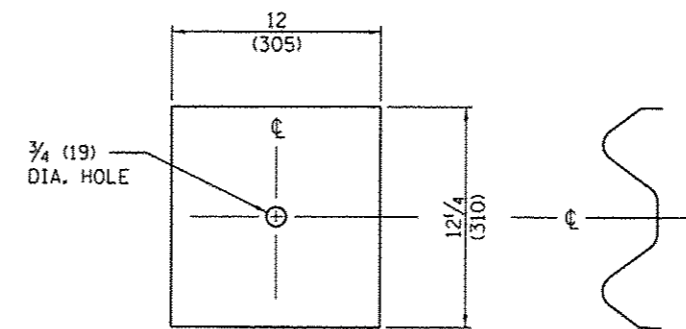
**TYPE C**  
37 1/2 (953) BLOCK-OUT SPACING



**STEEL BLOCK-OUT DETAIL**



**SECTION A-A**



**PLATE A**

**NOTES:**

1. THESE DETAILS ARE PROVIDED FOR INFORMATION ONLY FOR THE REMOVAL AND REPLACEMENT OF STEEL PLATE BEAM GUARDRAIL, TYPE C.
2. ALL SLOPE RATIOS ARE EXPRESSED AS UNITS OF VERTICAL DISPLACEMENT TO UNITS OF HORIZONTAL DISPLACEMENT (V:H).
3. ALL DIMENSIONS ARE IN INCHES (MILLIMETERS) UNLESS OTHERWISE SHOWN.
4. SEE STANDARD 630001-10 FOR REMAINING DETAILS.

• - FOR REMOVE & RE-ERECT GUARDRAIL, TYPE C, MATCH EXISTING HEIGHT

FILE NAME :	USER NAME : sparkgw	DESIGNED -	REVISED -	<b>STATE OF ILLINOIS DEPARTMENT OF TRANSPORTATION</b>	<b>STEEL PLATE BEAM GUARDRAIL, TYPE C DETAILS</b>	F.A.I. RTE.	SECTION	COUNTY	TOTAL SHEETS	SHEET NO.	
c:\pwork\pvidot\sparkgw\d0326237\0672f98-eh1-details.dgn		DRAWN -	REVISED -			55	(84-3)-4	SANGAMON	56	28	
Default	PLOT SCALE = 100.0000 / in.	CHECKED -	REVISED -			CONTRACT NO. 72F90					
	PLOT DATE = Oct-17-2013 09:57:00AM	DATE -	REVISED -			SCALE: N.T.S.	SHEET 1 OF 1 SHEETS	STA. TO STA.	ILLINOIS FED. AID PROJECT		