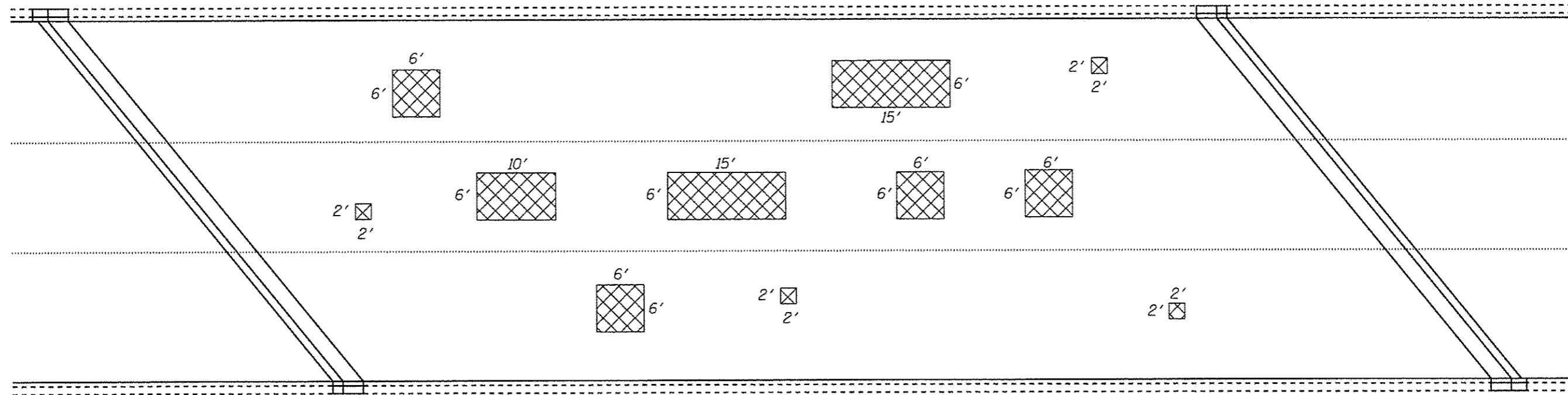
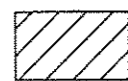



PARTIAL DEPTH PATCHING PLAN



FULL DEPTH PATCHING PLAN

-  DELAMINATED AREAS FOUND DURING DECK SURVEY
-  ANTICIPATED FULL DEPTH REPAIR AREAS

DECK SURVEY PERFORMED 2-28-2014  
 PARTIAL DEPTH REPAIR (FOR INFORMATION ONLY) = 152.2 SY  
 FULL DEPTH, TYPE I = 1.8 SY  
 FULL DEPTH, TYPE II = 42.7 SY



FILE NAME *	USER NAME * dudleybn	DESIGNED -	REVISED -	<b>STATE OF ILLINOIS DEPARTMENT OF TRANSPORTATION</b>	<b>DECK PATCHING DETAIL</b>			F.A.P. RTE.	SECTION	COUNTY	TOTAL SHEETS	SHEET NO.
D:\OPERATIONS\B-bridgeplans\CAD\72685 - B-48198 overlay\Complete Plans and TC.dgn	DRAWN -	REVISED -	67					(107Z) BDR	SANGAMON	23	18	
PLOT SCALE * 40.0000' / 1"	CHECKED -	REVISED -	CONTRACT NO. 72685									
Default	PLOT DATE * Apr-09-2014 02:04:38PM	DATE -	REVISED -		SCALE:	SHEET	OF	SHEETS	STA.	TO STA.	ILLINOIS FED. AID PROJECT	