

TYPICAL JOINT CROSS SECTION
(HORIZ. DIM. @ RIGHT ANGLES TO JOINT)

TYPICAL PARAPET CROSS SECTION

3 EA - #5 d(E), #5 d1(E), #4 d2(E), & #4 d3(E) EVENLY SPACED, TYP. BOTH SIDES (SEE PARAPET CROSS SEC.)

4-#6 a2(E) @ 7 1/2" TOP, TYP. BOTH SIDES

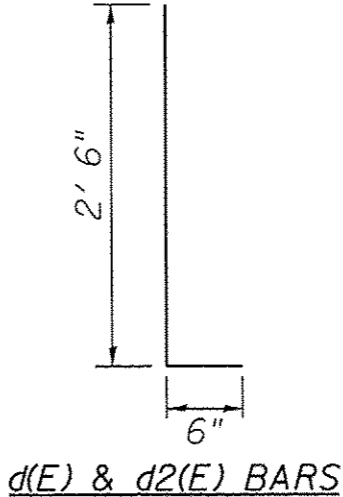
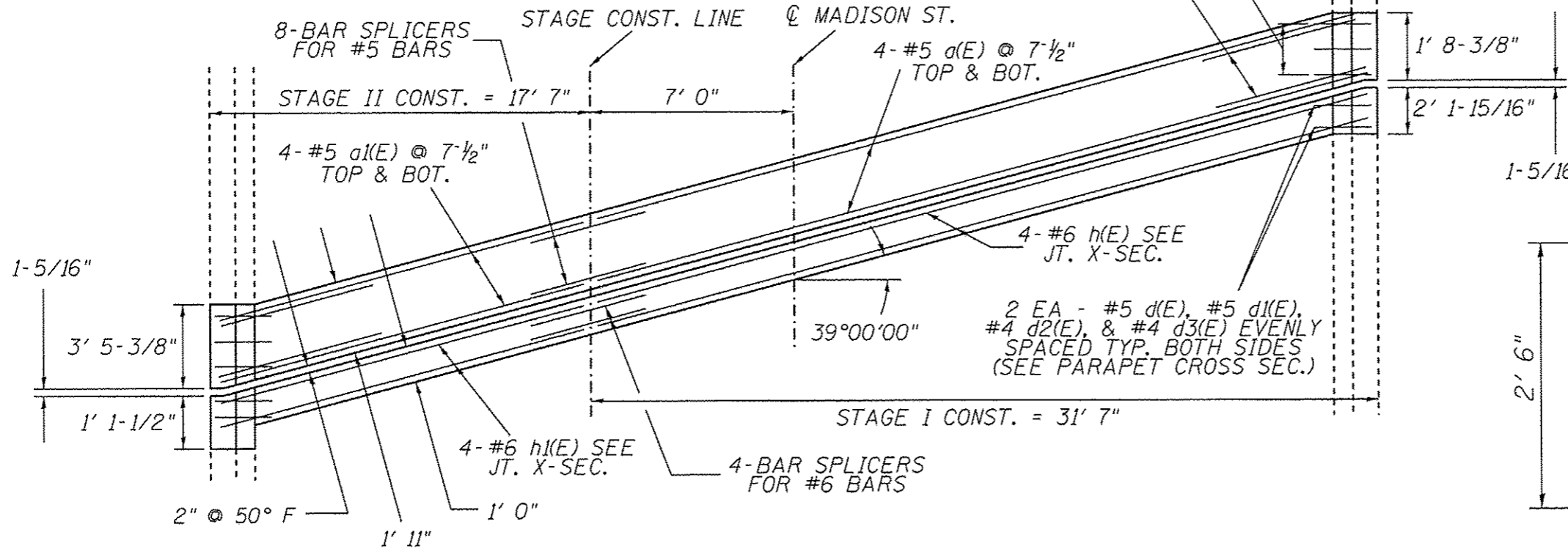
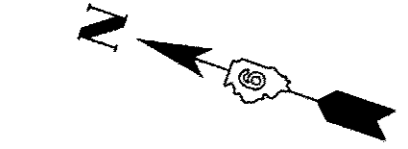
4-#5 d(E) @ 7 1/2" TOP & BOT.

4-#6 h(E) SEE JT. X-SEC.

2 EA - #5 d(E), #5 d1(E), #4 d2(E), & #4 d3(E) EVENLY SPACED TYP. BOTH SIDES (SEE PARAPET CROSS SEC.)

4-#6 h(E) SEE JT. X-SEC.

4-BAR SPLICERS FOR #6 BARS



WEST ABUTMENT EXPANSION JOINT PLAN
(EAST JOINT SIMILAR)

BILL OF MATERIAL - 2 JOINTS				
BAR	#	SIZE	LENGTH	SHAPE
d(E)	16	#5	39' 7"	—
d1(E)	16	#5	21' 7"	—
a2(E)	16	#6	4' 0"	—
d(E)	20	#5	3' 0"	┌
d1(E)	20	#5	2' 7"	┌
d2(E)	20	#4	3' 0"	┌
d3(E)	20	#4	3' 9"	┌
h(E)	16	#6	39' 7"	—
h1(E)	16	#6	21' 7"	—
REINFORCEMENT BARS (EPOXY COATED)		POUND	2800	
CONC. SUPERSTRUCTURE		CU YD	18.4	
CONC. REMOVAL		CU YD	16.4	
BAR SPLICERS		EACH	24	