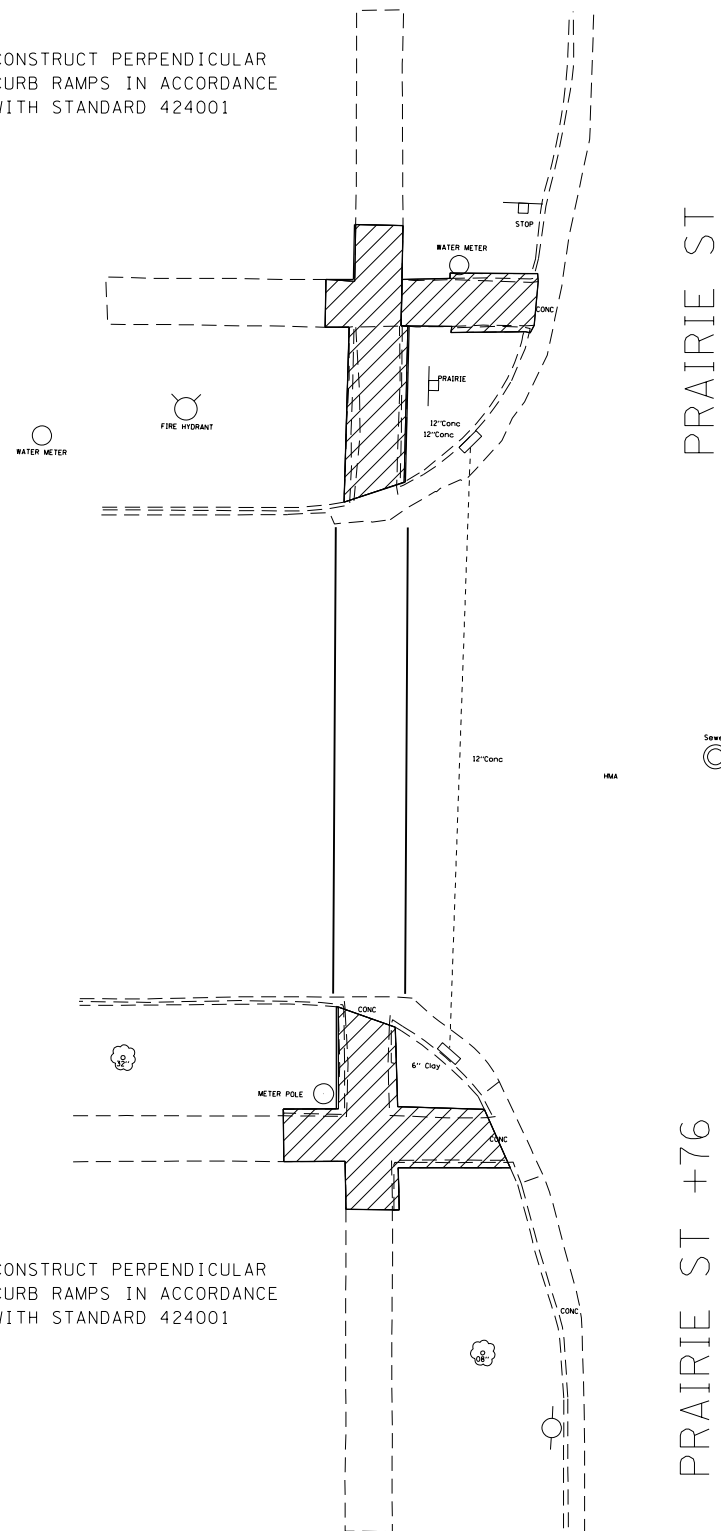
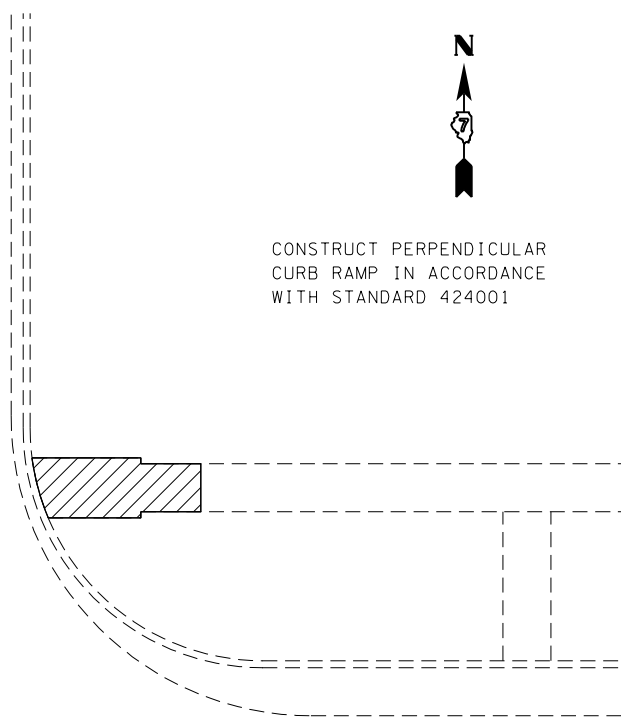


CONSTRUCT PERPENDICULAR CURB RAMPS IN ACCORDANCE WITH STANDARD 424001

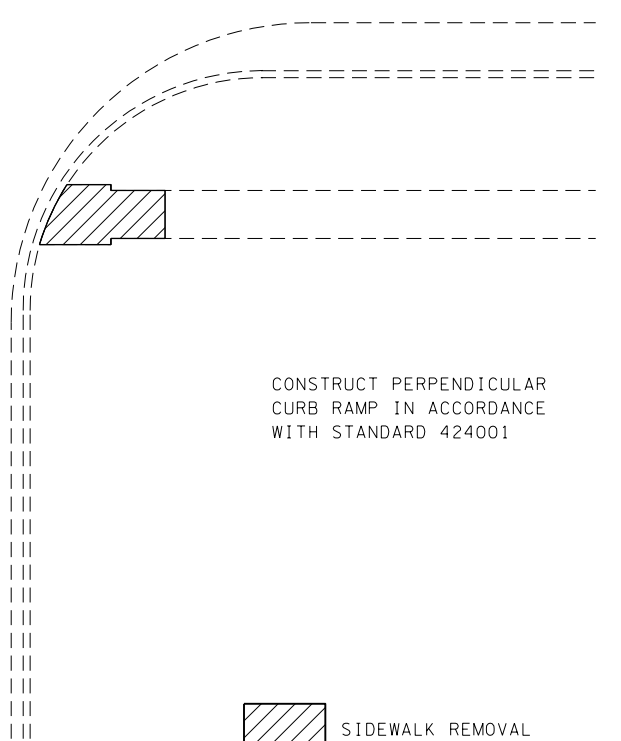


CONSTRUCT PERPENDICULAR CURB RAMPS IN ACCORDANCE WITH STANDARD 424001

CONSTRUCT PERPENDICULAR CURB RAMP IN ACCORDANCE WITH STANDARD 424001



CONSTRUCT PERPENDICULAR CURB RAMP IN ACCORDANCE WITH STANDARD 424001



 SIDEWALK REMOVAL

PRAIRIE & MAIN								
PAY ITEM (UNIT)	QUADRANT							
	NW		NE		SW		SE	
	state	city	state	city	state	city	state	city
SIDEWALK REMOVAL (SQ FT)	111	49		73	138			42
CURB REMOVAL (FOOT)		0.1			0.2	0.2		0.1
COMB. CURB & GUTTER REMOVAL (FOOT)								
COMB. CONC. CURB & GUTTER, TYPE B-6.12 (FOOT)								
COMB. CONC. CURB & GUTTER, TYPE B-6.24 (FOOT)								
PCC SIDEWALK 4" (SQ FT)	113	53		73	139			42
DETECTABLE WARNINGS (SQ FT)	8	8		8	16			8

FILE NAME =	USER NAME = steffenmk	DESIGNED -	REVISED -
ci:\pw\work\p\idot\stevfenmk\d0282300\074554-sht-sidewalk-details.dgn		DRAWN -	REVISED -
Default	PLOT SCALE = 16.0000' / in.	CHECKED -	REVISED -
	PLOT DATE = 4/5/2013	DATE -	REVISED -

STATE OF ILLINOIS
DEPARTMENT OF TRANSPORTATION

SIDEWALK DETAILS
PRAIRIE STREET

SCALE: SHEET 4 OF 15 SHEETS STA. TO STA.

F.A.P. RTE.	SECTION	COUNTY	TOTAL SHEETS	SHEET NO.
781	(1Z,17Z)RS-1	CRAWFORD	60	34
CONTRACT NO. 74554			ILLINOIS FED. AID PROJECT	