

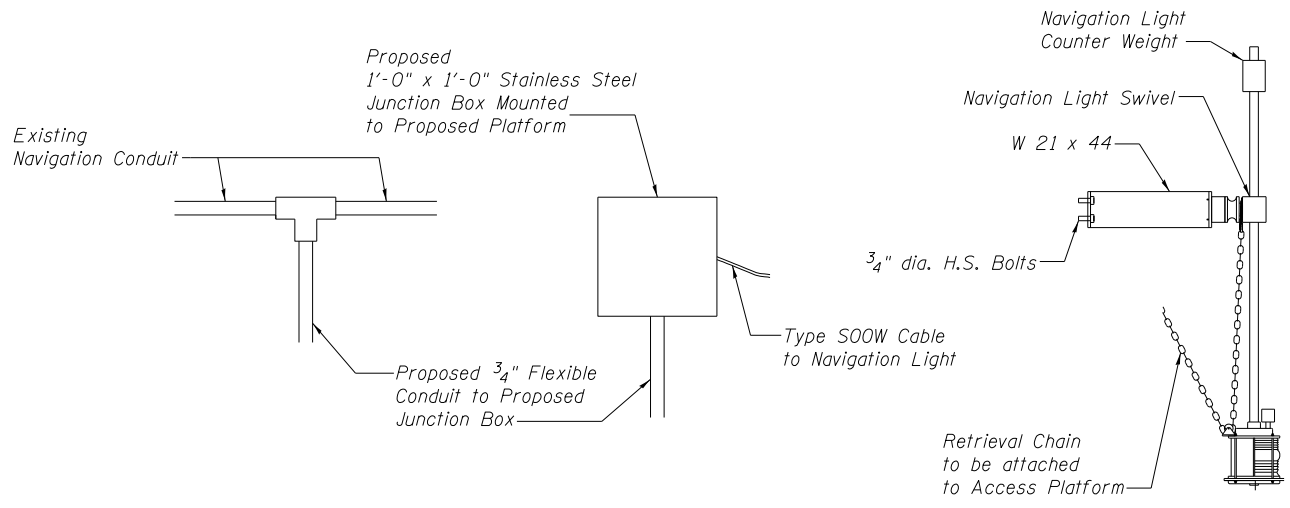
**LEGEND**

- 360° Green
- 180° Red
- 180° White
- Red High Intensity Retro-Reflective Panel
- Green High Intensity Retro-Reflective Panel

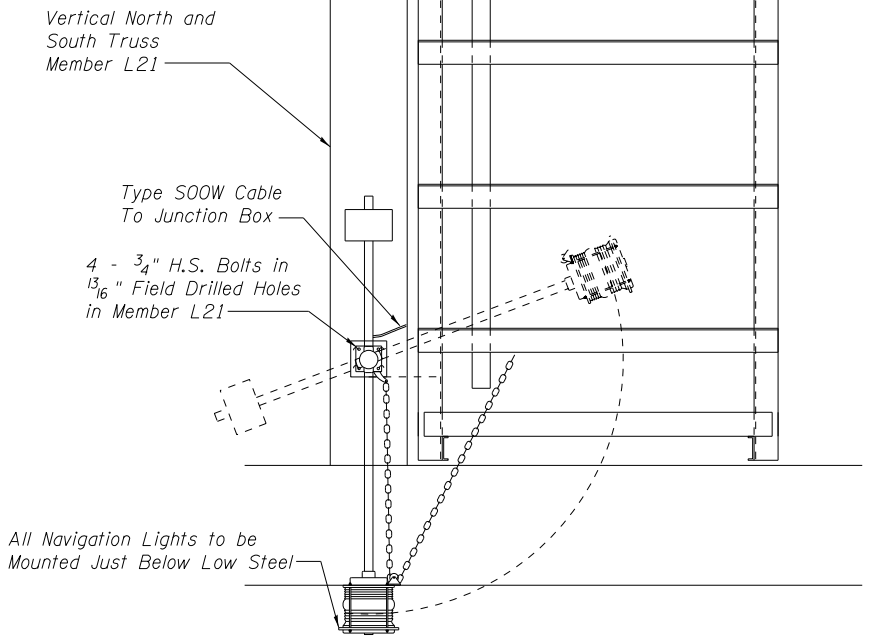
DECORATIVE AND NAVIGATION LIGHTING REPAIR SCHEDULE			
ID. NO.	Item	Location	Action
-	Decorative Lighting	Spans 9-11	Remove decorative lighting wire, junction boxes and mounting bracket - See sheet S13
33	Navigation Lighting	Spans 9-11	Replace navigation light assembly with LED light assembly - See sheet S13
34	Navigation Lighting	Span 10	Install proposed LED assembly, mounting bracket, conduit, retro-reflective panel and access platform with ladder
35	Navigation Lighting	Span 10	Install access ladder to upper white lights

**CONSTRUCTION SEQUENCE:**

1. Remove the upper chord and lower chord decorative lights including drop boxes, equipment enclosures, mounts and mounting hardware, flexible cables, wires and conduits. The conduits should be checked to ensure that they do not carry wires for other bridge lights.
2. Remove 10 existing red or green navigation light assemblies.
3. Properly mount all proposed LED navigation light assemblies to existing mounts, modifying existing mounts only as needed to keep at same mounting height.
4. Any supporting equipment that is no longer needed shall be removed.
5. Replace white navigation light assemblies.
  - a. Remove 3 existing white navigation light assemblies and replace with LED navigation light assemblies.
  - b. Verify location of existing white navigation light mounting brackets and adjust as necessary to meet current requirements. Replace conduit and mounting brackets as required, to meet vertical location requirements.
    1. The first light to be mounted between 10-15ft above the green light.
    2. The white lights to be mounted 7-15ft apart.
6. Add new hardware at PP 21 for the mounting of the proposed red LED navigation light assembly. Install 4' x 4' red retro reflective panel which conforms to current USCG requirements to proposed North and South navigation light access platforms.



**MISCELLANEOUS DETAILS FOR PROPOSED RED NAVIGATION LIGHT ID NO. 34**



**PROPOSED RED NAVIGATION LIGHT VERTICAL NORTH AND SOUTH TRUSS MEMBER L21 ID NO. 34**

**BILL OF MATERIAL**

Item	Unit	Total
Navigation Lighting System	L. Sum	1
Remove Existing Lighting System	L. Sum	1

Notes:  
 See Navigation Lighting System and Remove Existing Lighting System Special Provisions for additional information related to this work.  
 For access ladder details, see sheet S131.  
 For proposed platform details, see sheet S132.



USER NAME =	DESIGNED - AMM	REVISED
	CHECKED - JGS	REVISED
PLOT SCALE =	DRAWN - AMM	REVISED
PLOT DATE = 05/02/2014	CHECKED - JGS	REVISED

**STATE OF ILLINOIS DEPARTMENT OF TRANSPORTATION**

**GENERAL PLAN AND ELEVATION - LIGHTING REPAIRS S.N. 082-6001 MLK BRIDGE OVER MISSISSIPPI RIVER**

SHEET NO. S12 OF S138 SHEETS

F.A.P. RTE.	SECTION	COUNTY	TOTAL SHEETS	SHEET NO.
799	IBR, DRS-2	ST. CLAIR	156	30
CONTRACT NO. 76B03				
ILLINOIS FED. AID PROJECT				