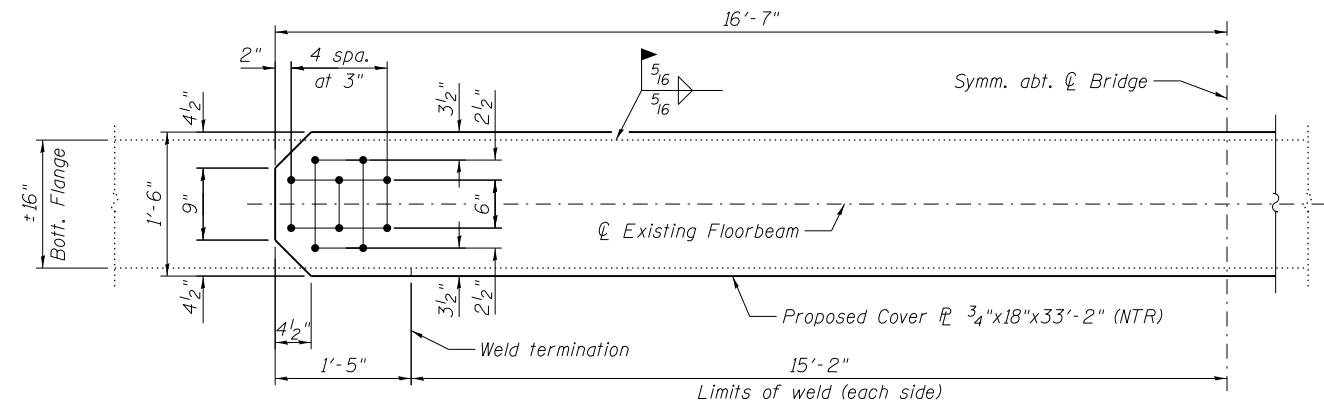
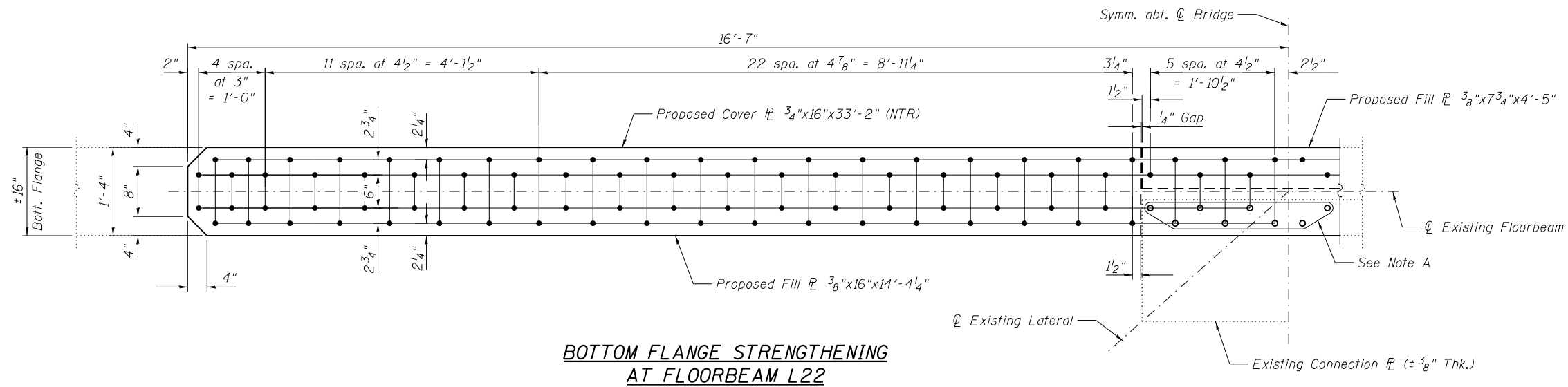


**TOP FLANGE STRENGTHENING
AT FLOORBEAM L20, L20', L22, L25 AND L25'**



**BOTTOM FLANGE STRENGTHENING
AT FLOORBEAM L20, L20', L25 AND L25'**



**BOTTOM FLANGE STRENGTHENING
AT FLOORBEAM L22**

Note A:
Field drill holes using existing holes as template.
Remainder of holes may be shop or field drilled.

Note:
Load carrying components designed as "NTR" shall
conform to the Impact Testing Requirement, Zone 2.



USER NAME =	DESIGNED - MEL	REVISED
	CHECKED - YSS	REVISED
PLOT SCALE =	DRAWN - PRC	REVISED
PLOT DATE = 05/02/2014	CHECKED - MEL	REVISED

STATE OF ILLINOIS
DEPARTMENT OF TRANSPORTATION

MAIN SPANS GRID DECK FRAMING DETAILS - 5
S.N. 082-6001 MLK BRIDGE OVER MISSISSIPPI RIVER

SHEET NO. S21 OF S138 SHEETS

F.A.P. RTE.	SECTION	COUNTY	TOTAL SHEETS	SHEET NO.
799	IBR, DRS-2	ST. CLAIR	156	39
CONTRACT NO. 76B03				

ILLINOIS FED. AID PROJECT