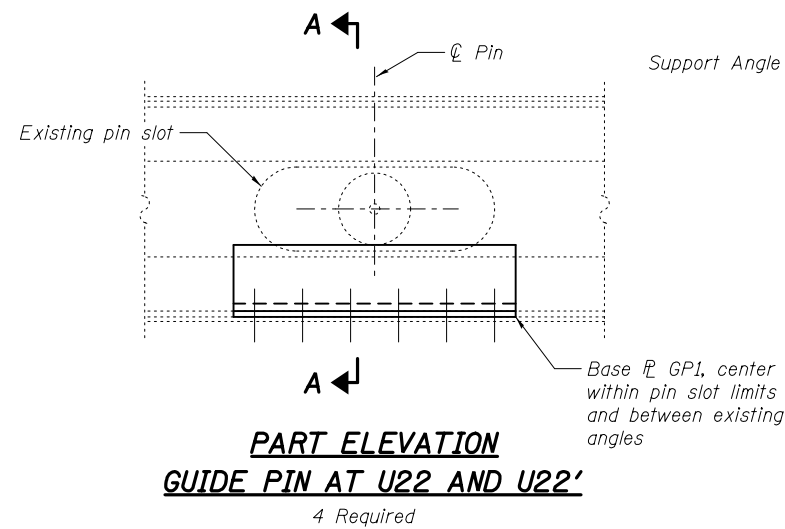
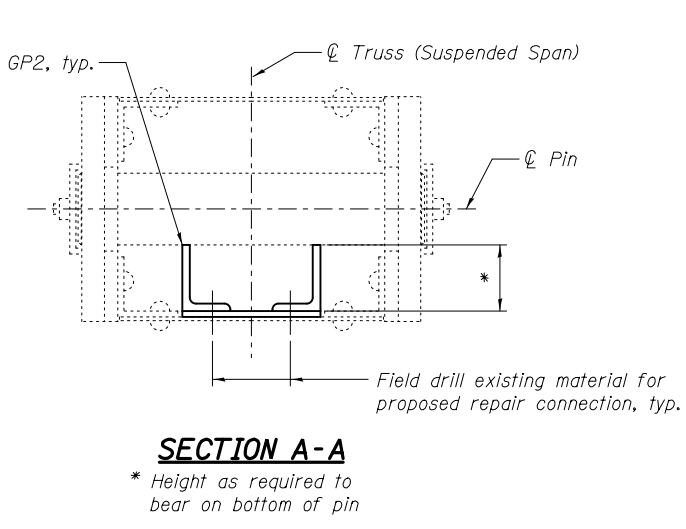


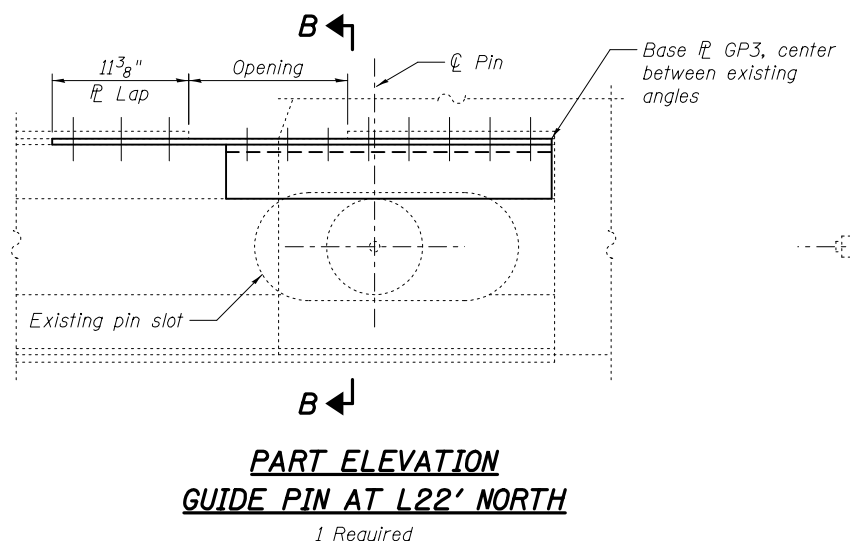
**GUIDE PIN PLATE REPAIR U22-L22**  
**(U22'-L22' SIMILAR)**  
 North and South Truss



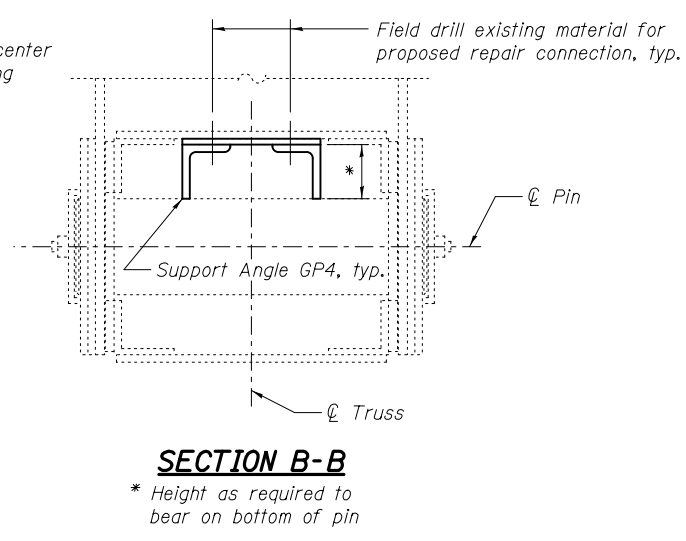
**PART ELEVATION**  
**GUIDE PIN AT U22 AND U22'**  
 4 Required



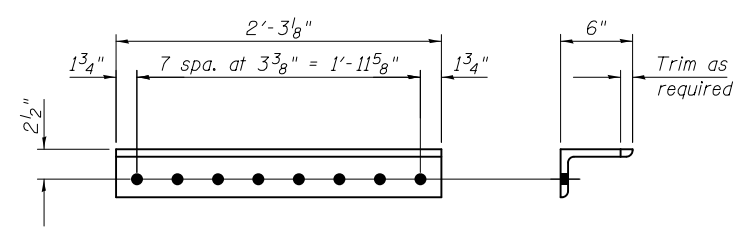
**SECTION A-A**  
 \* Height as required to bear on bottom of pin



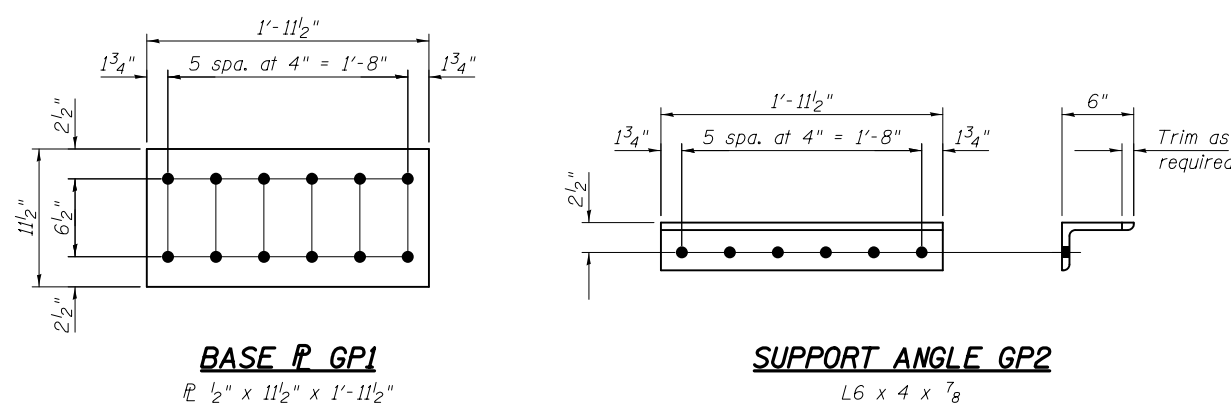
**PART ELEVATION**  
**GUIDE PIN AT L22' NORTH**  
 1 Required



**SECTION B-B**  
 \* Height as required to bear on bottom of pin

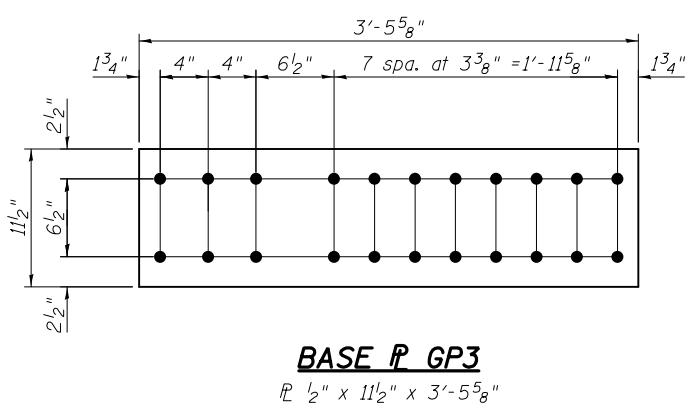


**SUPPORT ANGLE GP4**  
 L6 x 4 x 7/8



**BASE PL GP1**  
 L 1/2" x 11 1/2" x 1'-11 1/2"

**SUPPORT ANGLE GP2**  
 L6 x 4 x 7/8



**BASE PL GP3**  
 L 1/2" x 11 1/2" x 3'-5 5/8"

**BILL OF MATERIAL**

Item	Unit	Total
Structural Steel Repair	Pound	840



USER NAME =	DESIGNED - PRC	REVISED
	CHECKED - CDB	REVISED
PLOT SCALE =	DRAWN - PRC	REVISED
PLOT DATE = 03/20/2014	CHECKED - CDB	REVISED

STATE OF ILLINOIS  
 DEPARTMENT OF TRANSPORTATION

MAIN SPANS GUIDE PIN PLATE REPAIR  
 S.N. 082-6001 MLK BRIDGE OVER MISSISSIPPI RIVER

SHEET NO. S45 OF S138 SHEETS

F.A.P. RTE.	SECTION	COUNTY	TOTAL SHEETS	SHEET NO.
799	1BR, DRS-2	ST. CLAIR	156	63
ILLINOIS FED. AID PROJECT			CONTRACT NO. 76B03	