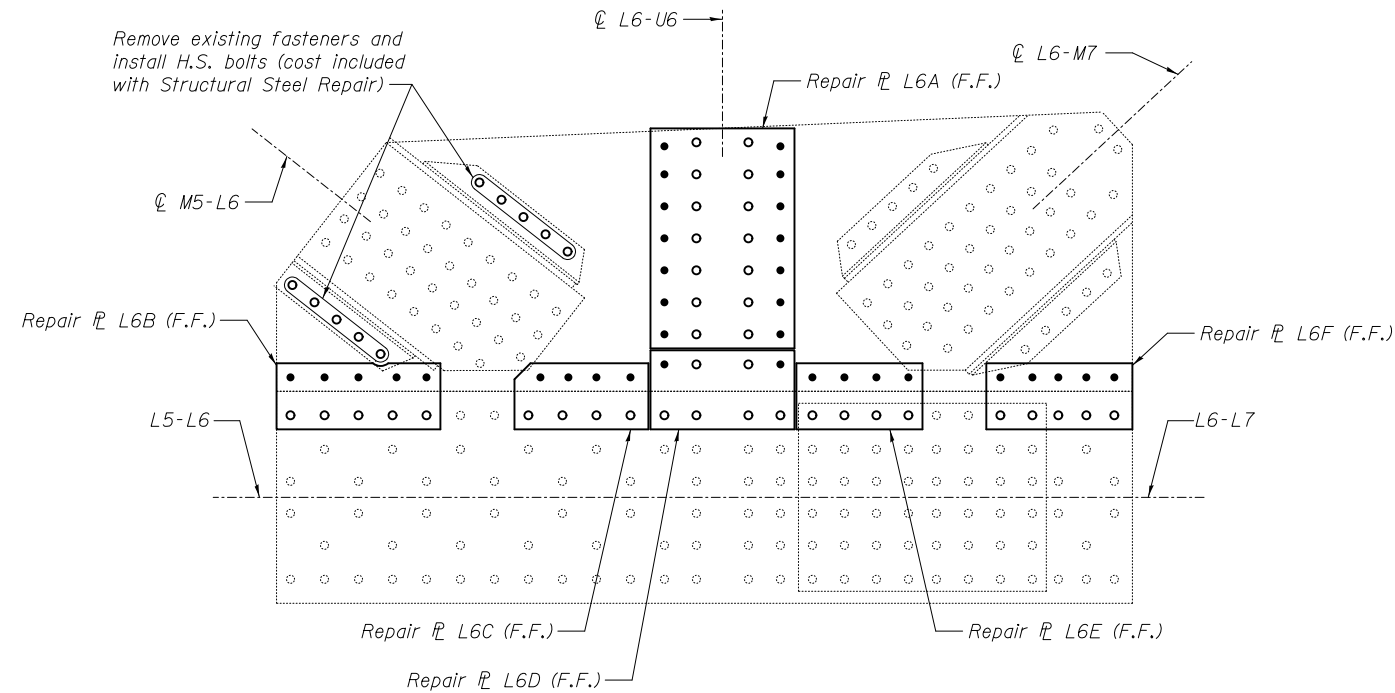
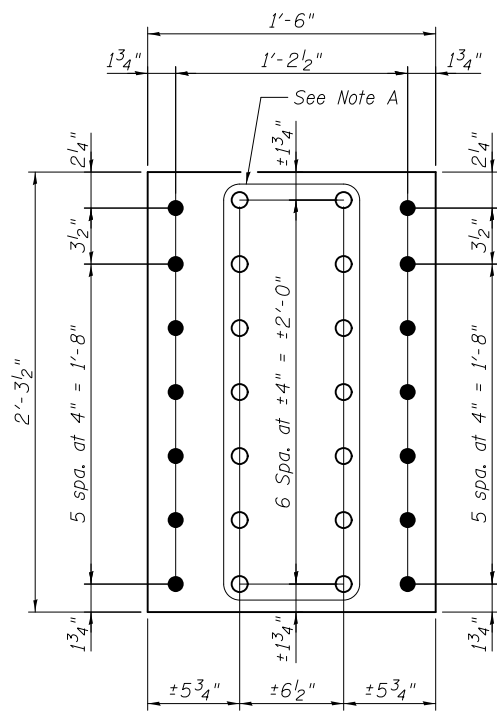


Remove existing fasteners and install H.S. bolts (cost included with Structural Steel Repair)

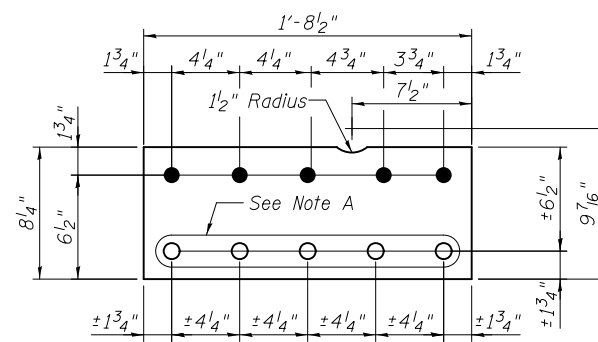


OUTSIDE PLATE AT PANEL POINT L6N AND L6S
(L6'N AND L6'S SIMILAR)
 (Span 9 and Span 11)

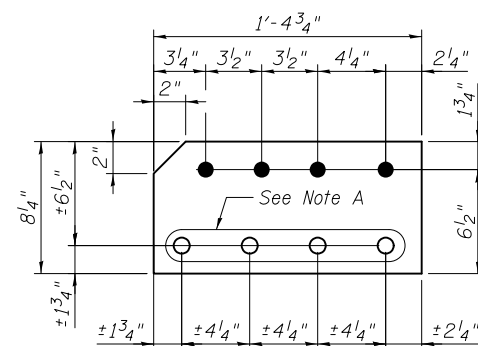
GUSSET PLATE STRENGTHENING



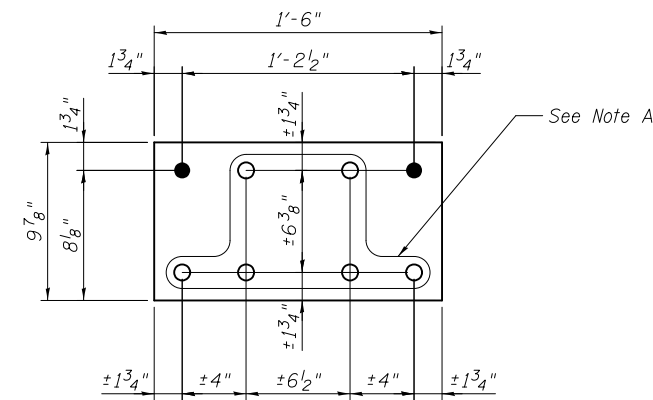
REPAIR PL L6A
 PL 1 1/4" x 18" x 2'-3 1/2"



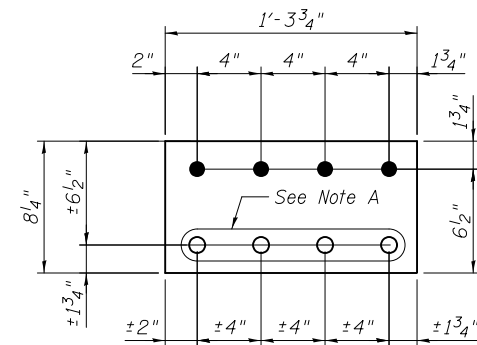
REPAIR PL L6B
 PL 1 1/4" x 8 1/4" x 1'-8 1/2"



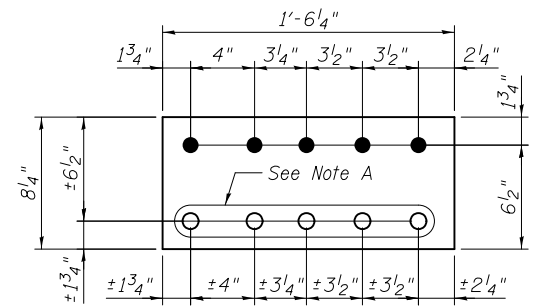
REPAIR PL L6C
 PL 7/8" x 8 1/4" x 1'-4 3/4"



REPAIR PL L6D
 PL 7/8" x 9 7/8" x 1'-6"



REPAIR PL L6E
 PL 7/8" x 8 1/4" x 1'-3 3/4"



REPAIR PL L6F
 PL 1 1/4" x 8 1/4" x 1'-6 1/4"

Procedure
 Remove the bottom lateral connection plate and angle; then install repair plates, angles and fills, as shown, one side at a time on the inside gusset plate. Install remaining repair plates and fills, one at a time, on the inside gusset plate, followed by the installation of the repair plates, one at a time, on the outside gusset plate.

If additional fasteners need to be removed other than those shown on this sheet, the Contractor shall submit a procedure for review and approval. If needed, the Contractor shall provide temporary support for floorbeams and joints.

Note A:
 Field drill holes using existing holes as template. Remainder of holes may be shop or field drilled.

BILL OF MATERIAL

Item	Unit	Total
Structural Steel Repair	Pound	4,870

Notes:
 All bolted connections shown on this sheet shall be made with 1" dia. H.S. bolts unless otherwise noted.
 For L6 inside gusset PL, see sheet S49.
 For front face of gusset PL, see sheet S8.



USER NAME =	DESIGNED - MEL/YSS	REVISED
PLOT SCALE =	CHECKED - CDB	REVISED
PLOT DATE = 05/09/2014	DRAWN - AEC	REVISED
	CHECKED - MEL	REVISED

STATE OF ILLINOIS
 DEPARTMENT OF TRANSPORTATION

MAIN SPAN GUSSET PLATE STRENGTHENING - 3
 S.N. 082-6001 MLK BRIDGE OVER MISSISSIPPI RIVER

SHEET NO. S48 OF S138 SHEETS

F.A.P. RTE.	SECTION	COUNTY	TOTAL SHEETS	SHEET NO.
799	1BR, DRS-2	ST. CLAIR	156	66
CONTRACT NO. 76B03				
ILLINOIS FED. AID PROJECT				