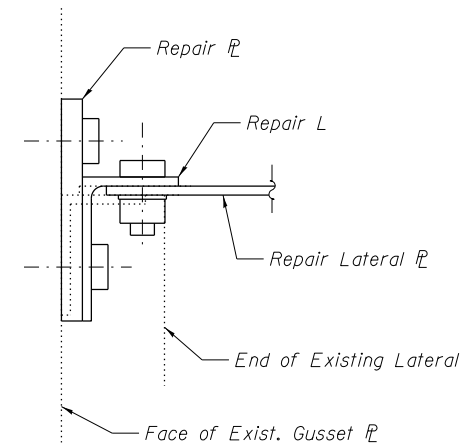
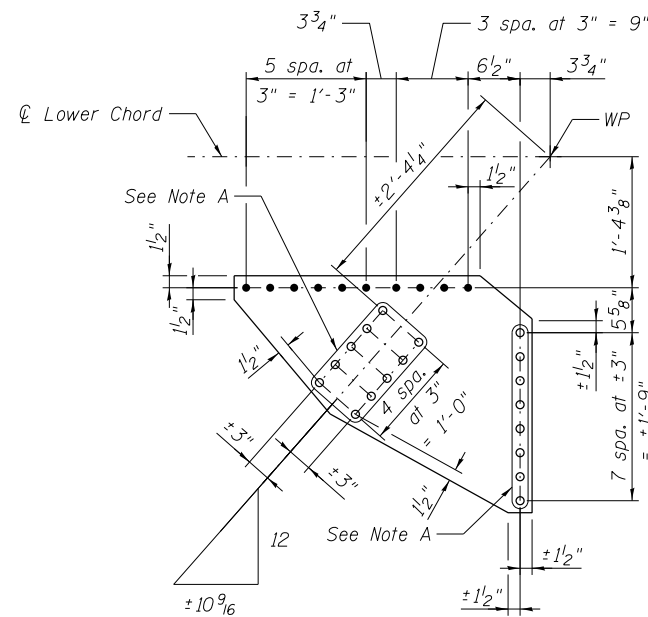


LOWER LATERAL AT PANEL POINT L18N AND L18S
(L18'N AND L18'S SIMILAR)
 (Span 10)



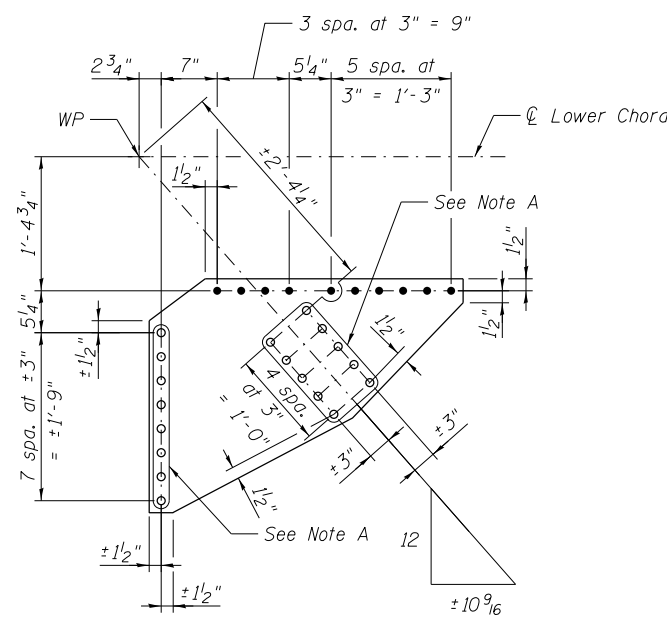
SECTION A-A

Note A:
 Field drill holes using existing holes as template.
 Remainder of holes may be shop or field drilled.



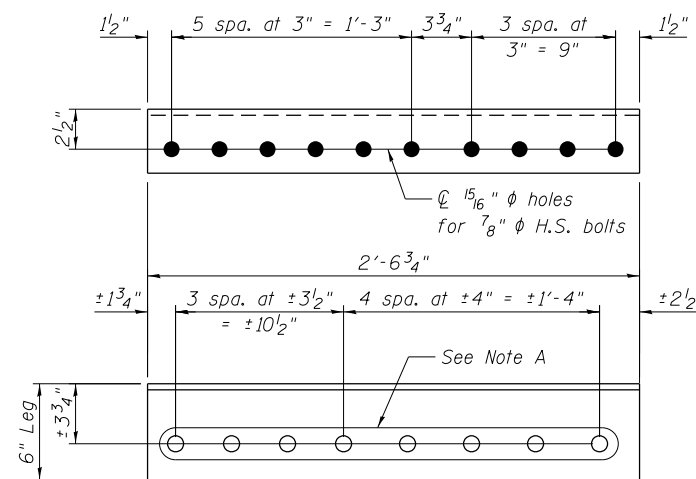
REPAIR PLATE L18R
 PL 3/8" x 29 5/8" x 3'-1 1/4"

Note: Repair PL L18R requires
 15/16" φ holes for 7/8" φ H.S. bolts.

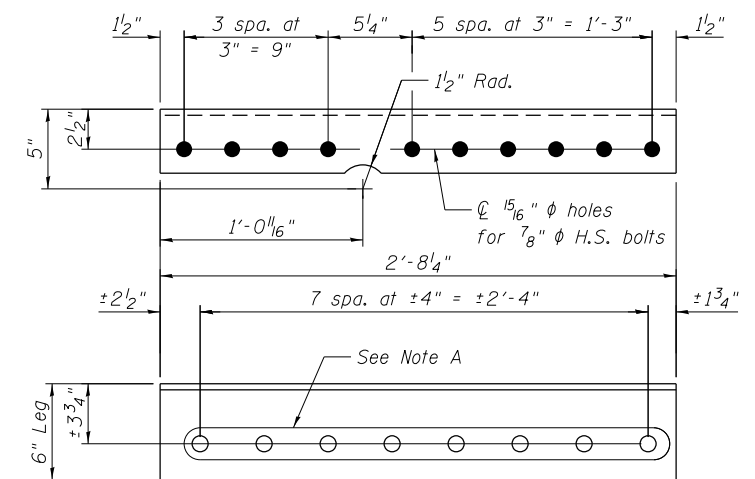


REPAIR PLATE L18V
 PL 3/8" x 29 1/4" x 3'-3 1/4"

Note: Repair PL L18V requires
 15/16" φ holes for 7/8" φ H.S. bolts.



REPAIR ANGLE L18T
 L6 x 4 x 3/8 x 2'-6 3/4"



REPAIR ANGLE L18U
 L6 x 4 x 3/8 x 2'-8 1/4"

Notes:
 All bolted connections shown on this sheet shall be
 made with 1" dia. H.S. bolts unless otherwise noted.



USER NAME =	DESIGNED - MEL /YSS	REVISED
	CHECKED - CDB	REVISED
PLOT SCALE =	DRAWN - AEC	REVISED
PLOT DATE = 05/09/2014	CHECKED - MEL	REVISED

STATE OF ILLINOIS
 DEPARTMENT OF TRANSPORTATION

MAIN SPAN GUSSET PLATE STRENGTHENING - 9A
 S.N. 082-6001 MLK BRIDGE OVER MISSISSIPPI RIVER

SHEET NO. S54A OF S138 SHEETS

F.A.P. RTE.	SECTION	COUNTY	TOTAL SHEETS	SHEET NO.
799	1BR, DRS-2	ST. CLAIR	156	72A
CONTRACT NO. 76B03				

ILLINOIS FED. AID PROJECT