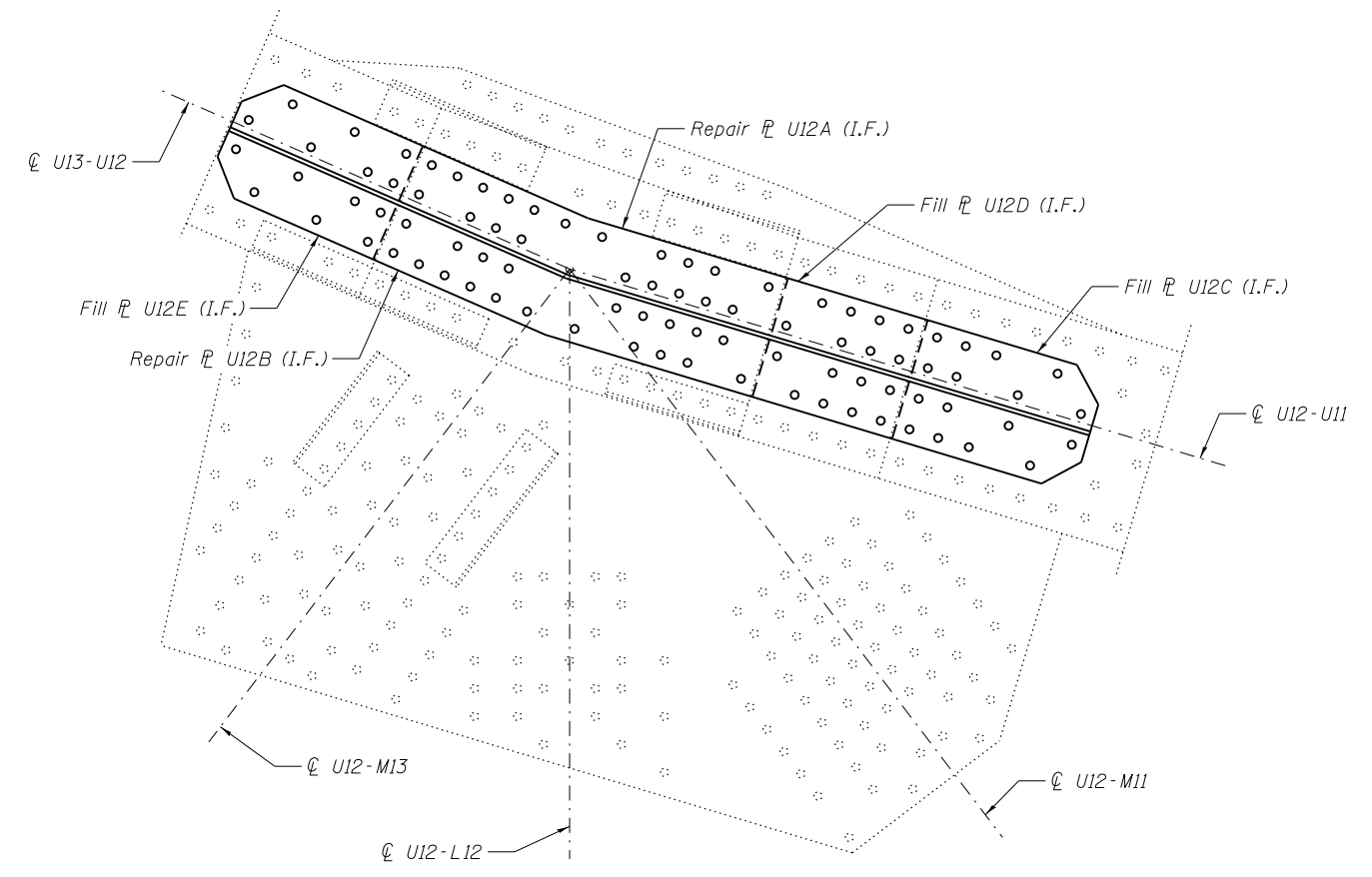
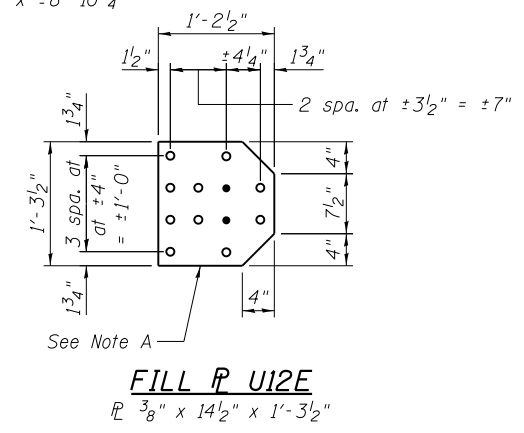
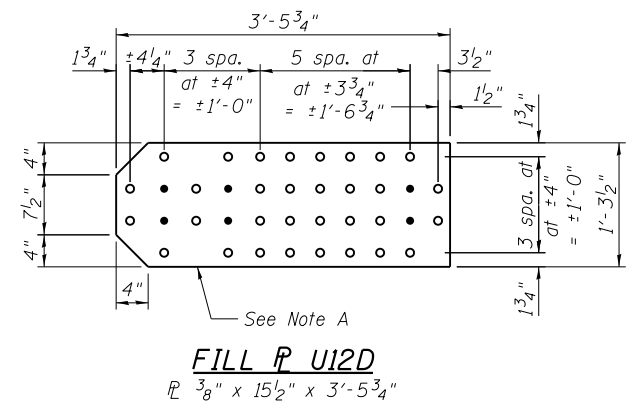
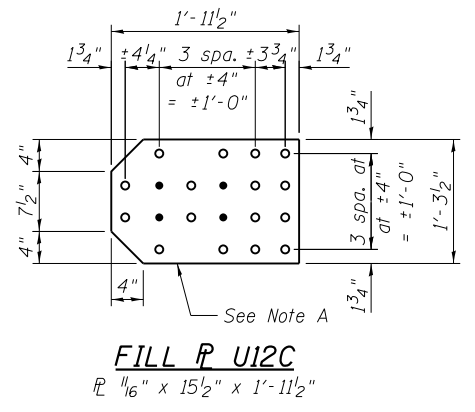
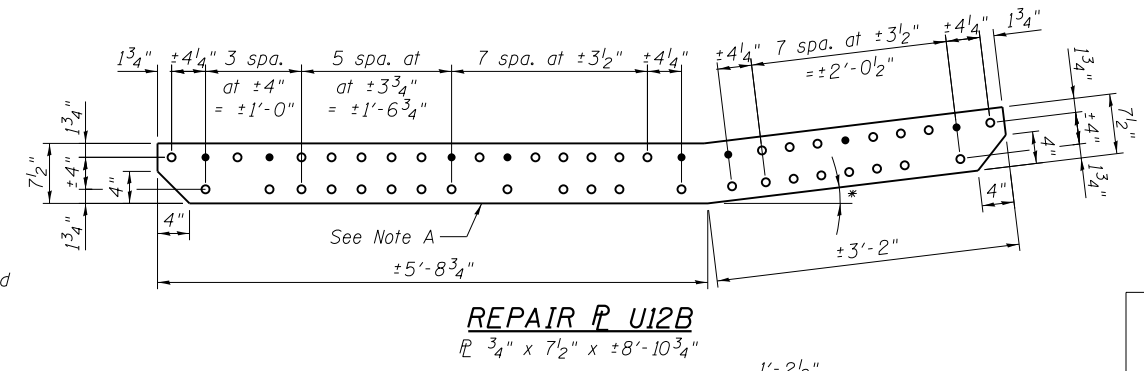
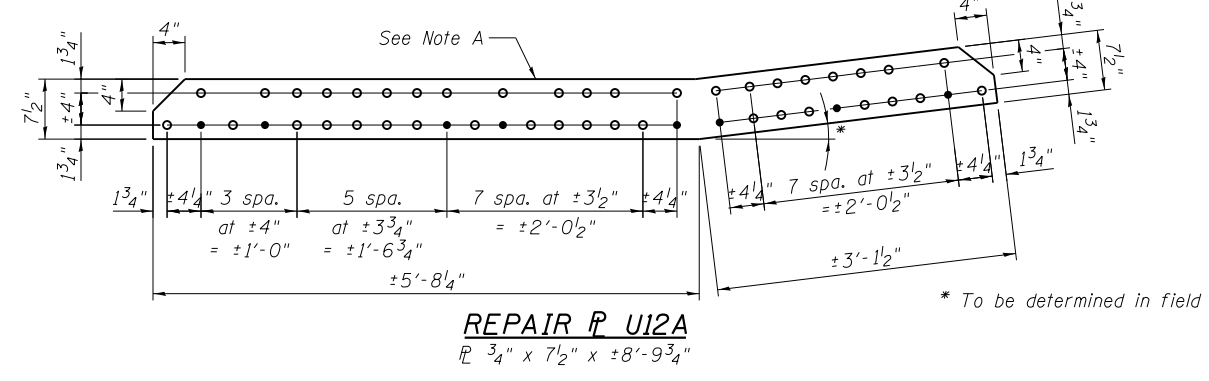


**OUTSIDE PLATE AT PANEL POINT U12N AND U12S**  
 (U12'N AND U12'S SIMILAR)  
 (Span 9 and 11)



**INSIDE PLATE AT PANEL POINT U12N AND U12S**  
 (U12'N AND U12'S SIMILAR)  
 (Span 9 and 11)

**GUSSET PLATE STRENGTHENING**



**Procedure:**  
 Install repair plates similar to U4N and U4S (U4'N and U4'S).  
 See sheet S55.

**BILL OF MATERIAL**

Item	Unit	Total
Structural Steel Repair	Pound	4.850

**Note:**  
 All bolted connections shown on this sheet shall be made with 1" dia. H.S. bolts unless otherwise noted.  
 For front and inside faces of gusset plates, see truss cross section on sheet S8.

**Note A:**  
 Field drill holes (○) using existing holes as template.  
 Remainder of holes (●) may be shop or field drilled.