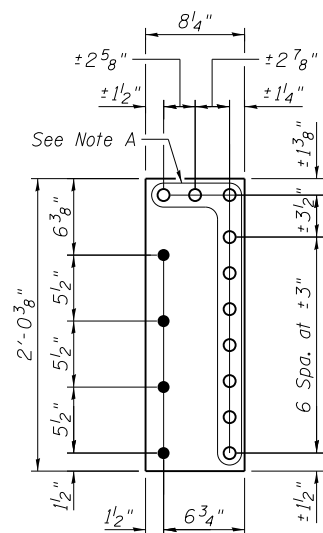


**SOUTH END AT PANEL POINT L11
WEST FACE**
Span 9

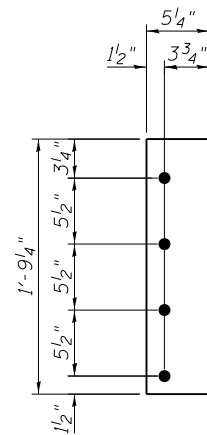
**SOUTH END AT PANEL POINT L11
EAST FACE**
Span 9

FLOORBEAM WEB REPAIRS

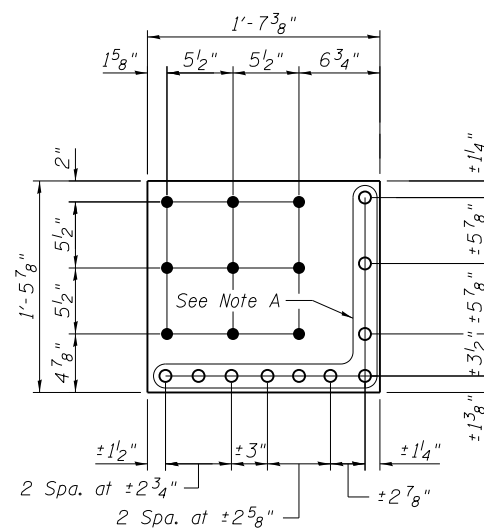
Note A:
Field drill holes using existing holes as template.
Remainder of holes may be shop or field drilled.



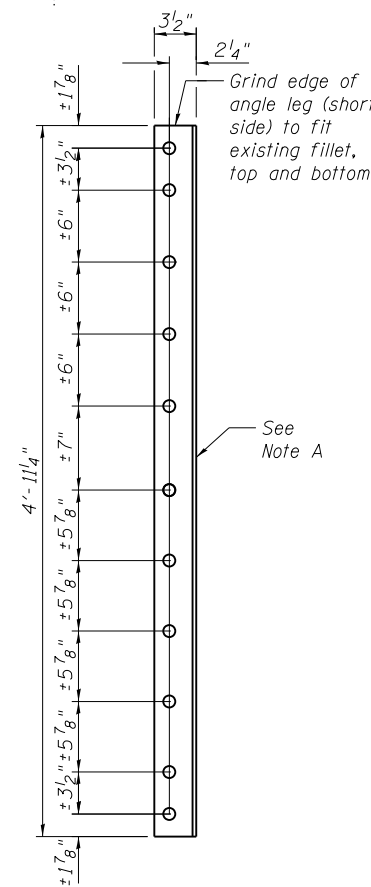
REPAIR P A5
P 3/8" x 8 1/4" x 2'-0 3/8"



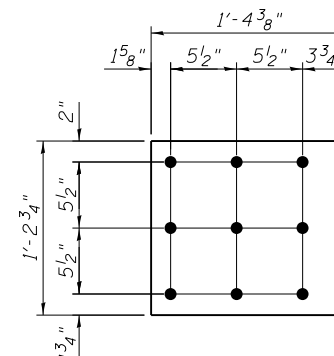
FILL P B5
P 5/8" x 5 1/2" x 1'-9 1/4"



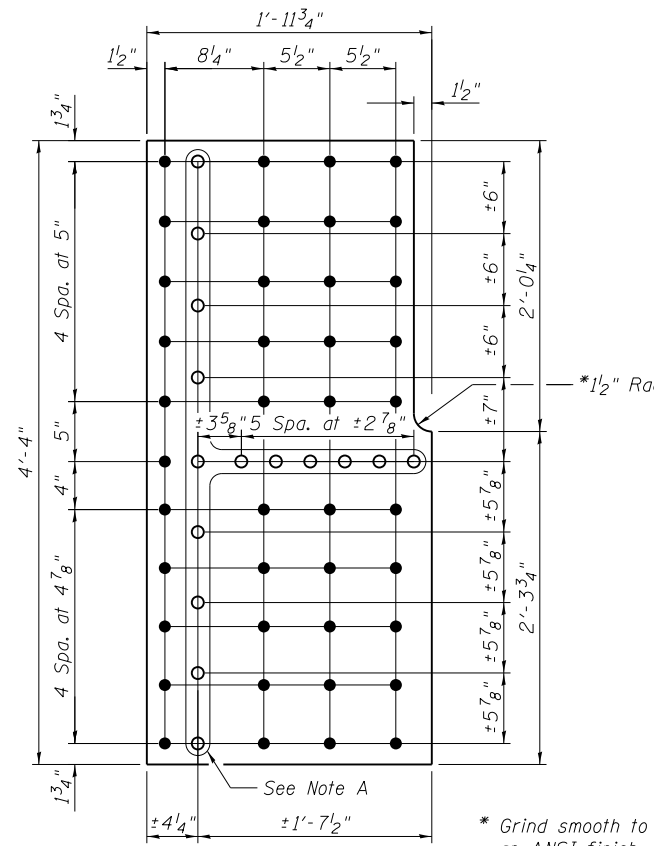
REPAIR P C5
P 3/8" x 17 7/8" x 1'-7 3/8"



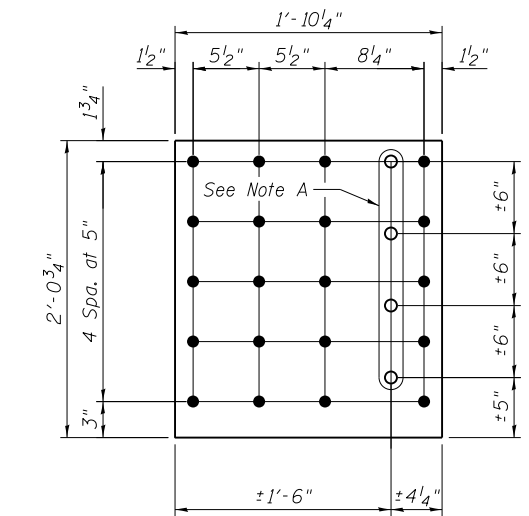
REPAIR ANGLE D5
L5x3 1/2x5 1/6 x 4'-11 1/4"



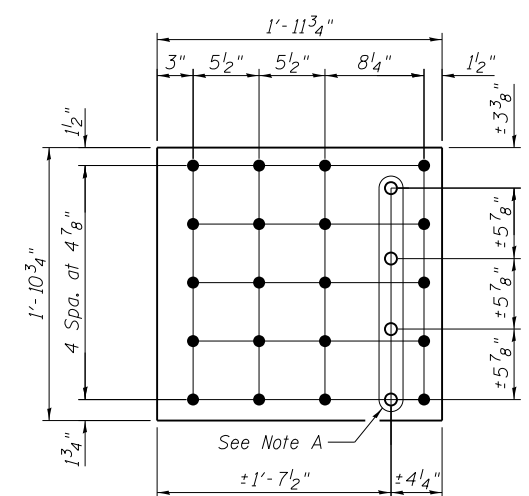
FILL P E5
P 5/8" x 14 3/4" x 1'-4 3/8"



REPAIR P F5
P 5/8" x 23 3/4" x 4'-4"



REPAIR P G5
P 3/8" x 22 1/4" x 2'-0 3/4"



REPAIR P H5
P 3/8" x 22 3/4" x 1'-10 3/4"

BILL OF MATERIAL

Item	Unit	Total
Structural Steel Repair	Pound	700



USER NAME =	DESIGNED - PRC	REVISED
PLOT SCALE =	CHECKED - CDB	REVISED
PLOT DATE = 05/02/2014	DRAWN - PRC	REVISED
	CHECKED - CDB	REVISED

**STATE OF ILLINOIS
DEPARTMENT OF TRANSPORTATION**

**MAIN SPANS FLOORBEAM WEB REPAIRS - 5
S.N. 082-6001 MLK BRIDGE OVER MISSISSIPPI RIVER**

SHEET NO. S69 OF S138 SHEETS

F.A.P. RTE.	SECTION	COUNTY	TOTAL SHEETS	SHEET NO.
799	IBR, DRS-2	ST. CLAIR	156	87
CONTRACT NO. 76B03				
ILLINOIS FED. AID PROJECT				