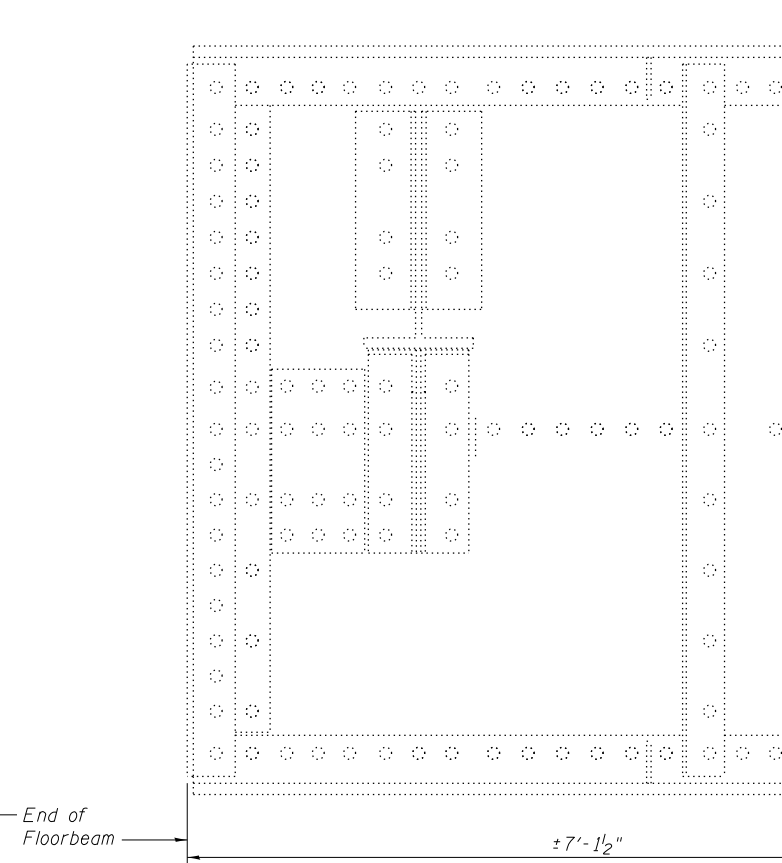
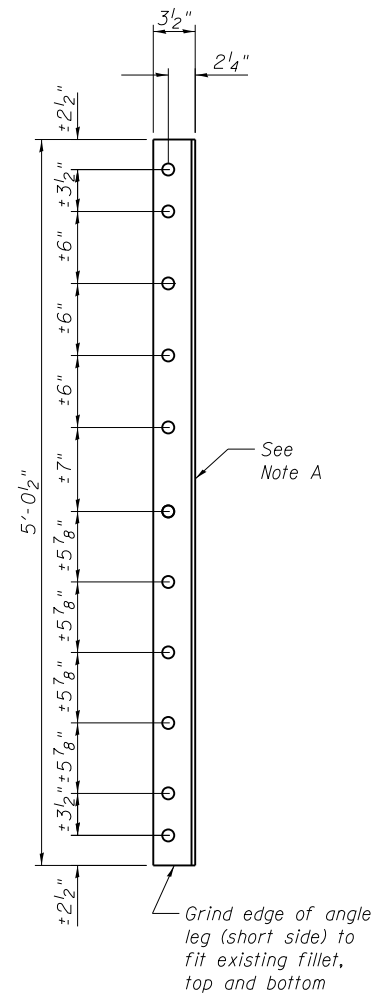
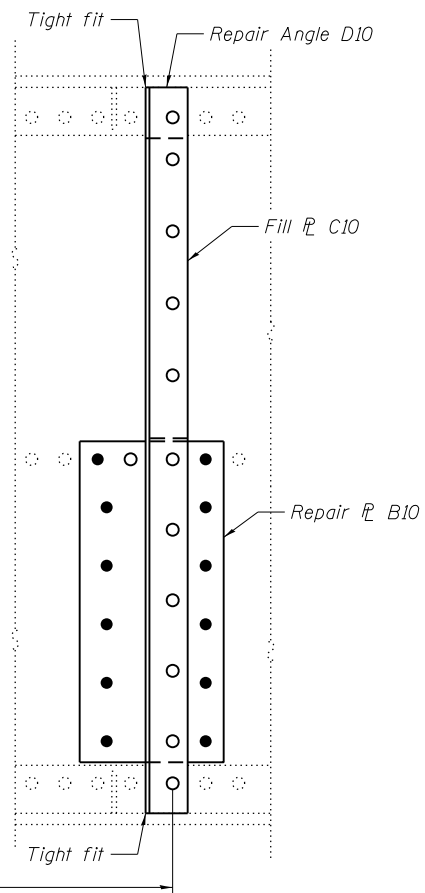


**SOUTH END AT PANEL POINT L11'**  
**WEST FACE**  
 (Span 11)



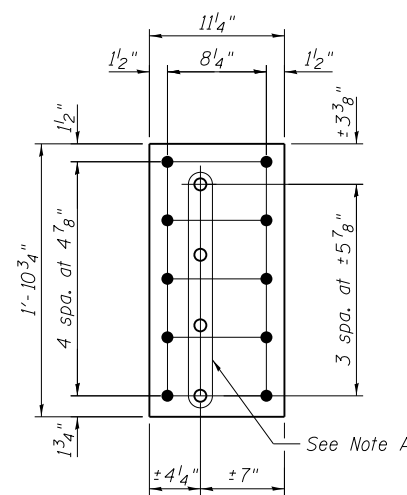
**SOUTH END AT PANEL POINT L11'**  
**EAST FACE**  
 (Span 11)

**FLOORBEAM WEB REPAIRS**

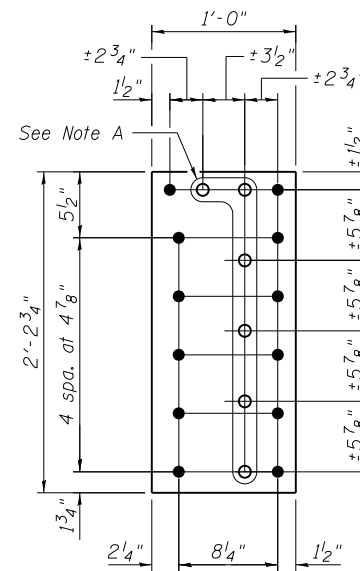


**REPAIR ANGLE E9**  
 L5x3 1/2 x 5/16 x 5'-0 1/2"

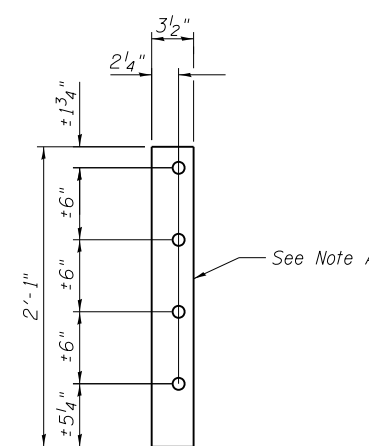
Note A:  
 Field drill holes using existing holes as template.  
 Remainder of holes may be shop or field drilled.



**REPAIR P A10**  
 P 3/8" x 11 1/4" x 1'-10 3/4"



**REPAIR P B10**  
 P 5/8" x 12" x 2'-2 3/4"



**FILL P C10**  
 P 5/8" x 3 1/2" x 2'-1"

**BILL OF MATERIAL**

Item	Unit	Total
Structural Steel Repair	Pound	170



USER NAME =	DESIGNED - PRC	REVISED
	CHECKED - CDB	REVISED
PLOT SCALE =	DRAWN - PRC	REVISED
PLOT DATE = 05/02/2014	CHECKED - CDB	REVISED

**STATE OF ILLINOIS**  
**DEPARTMENT OF TRANSPORTATION**

**MAIN SPANS FLOORBEAM WEB REPAIRS - 10**  
**S.N. 082-6001 MLK BRIDGE OVER MISSISSIPPI RIVER**

SHEET NO. S74 OF S138 SHEETS

F.A.P. RTE.	SECTION	COUNTY	TOTAL SHEETS	SHEET NO.
799	1BR, DRS-2	ST. CLAIR	156	92
CONTRACT NO. 76B03				
ILLINOIS FED. AID PROJECT				