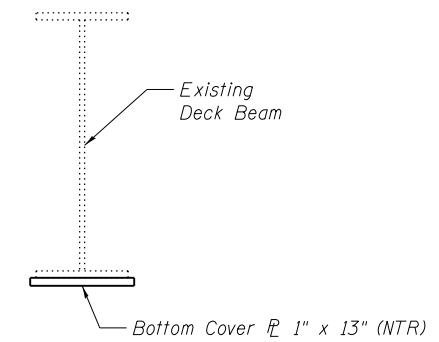
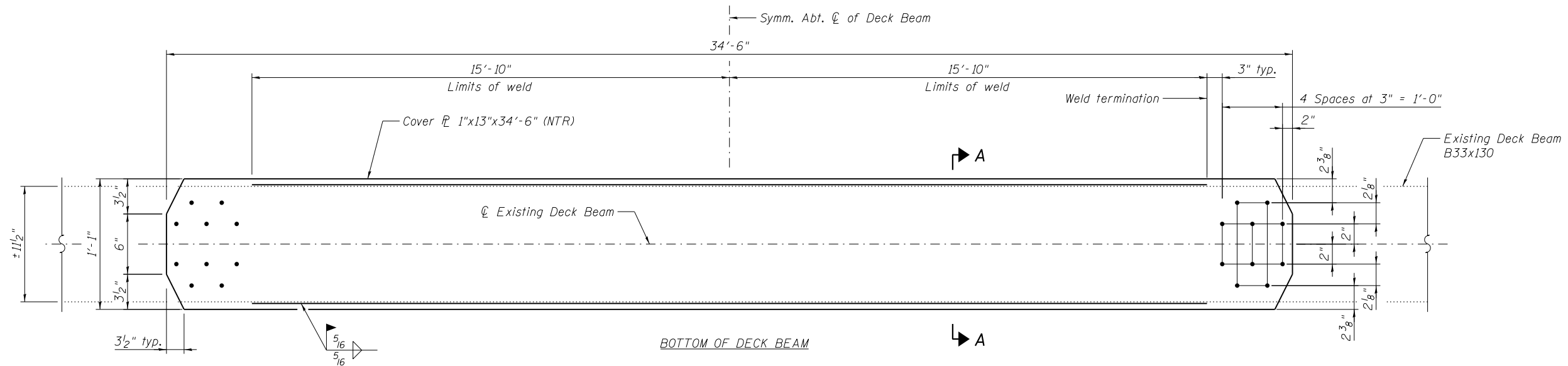


**PARTIAL FRAMING PLAN  
BEAM STRENGTHENING**  
Spans 18, 23 and 28



**SECTION A-A**  
(Deck not shown for clarity.)



**SPANS 18, 23 AND 28 BEAM STRENGTHENING**  
(15 Locations)

**BILL OF MATERIAL**

Item	Unit	Total
Structural Steel Repair	Pound	23,540

Note:  
Load carrying components designated "NTR" shall conform to the Impact Testing Requirement, Zone 2.



USER NAME =	DESIGNED - MEL	REVISED
	CHECKED - CDB	REVISED
PLOT SCALE =	DRAWN - AEC	REVISED
PLOT DATE = 05/02/2014	CHECKED - MEL	REVISED

**STATE OF ILLINOIS  
DEPARTMENT OF TRANSPORTATION**

**ILLINOIS APPROACH BEAM STRENGTHENING SPANS 18, 23 AND 28  
S.N. 082-6001 MLK BRIDGE OVER MISSISSIPPI RIVER**

SHEET NO. S86 OF S138 SHEETS

F.A.P. RTE. 799	SECTION 1BR, DRS-2	COUNTY ST. CLAIR	TOTAL SHEETS 156	SHEET NO. 104
				CONTRACT NO. 76B03
ILLINOIS FED. AID PROJECT				