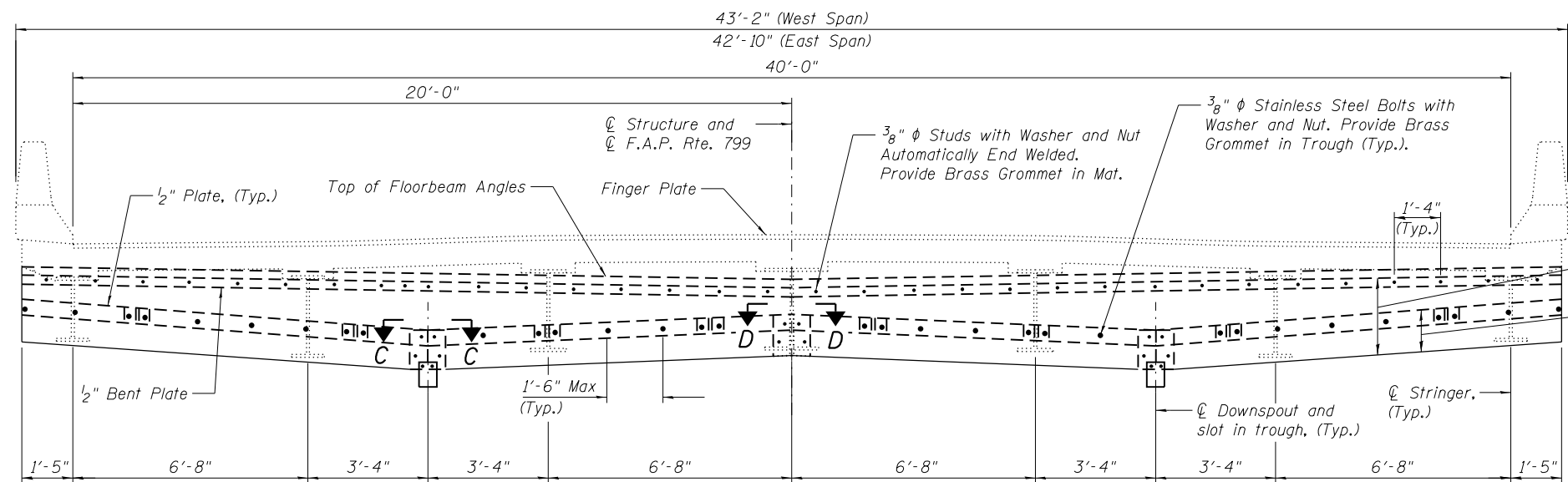
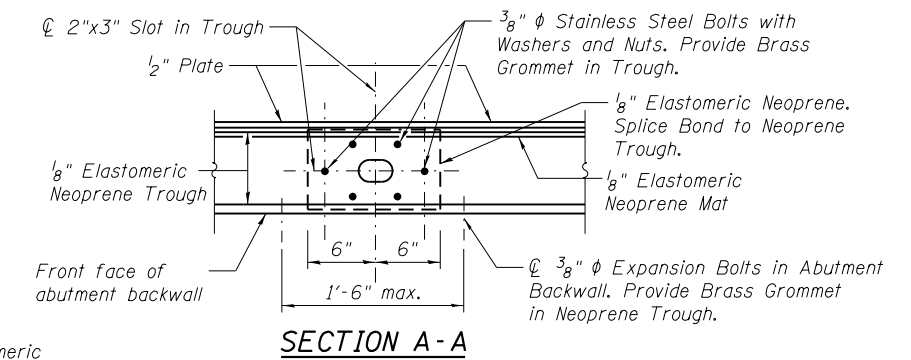


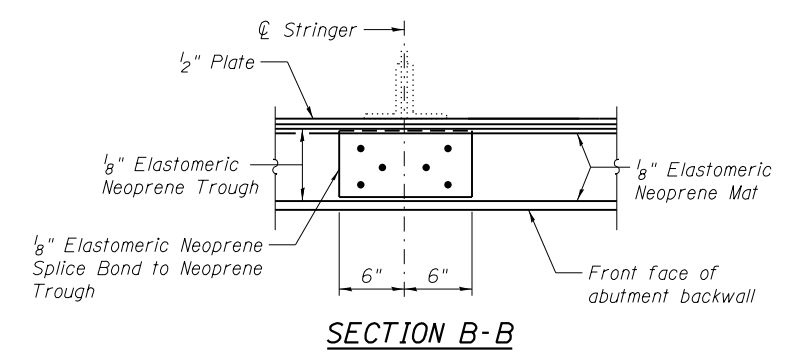
ABUTMENT A TROUGH SECTION



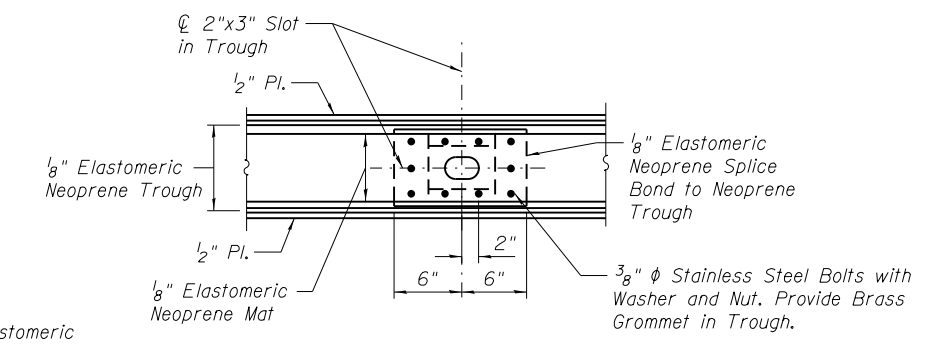
PIER 8 TROUGH SECTION



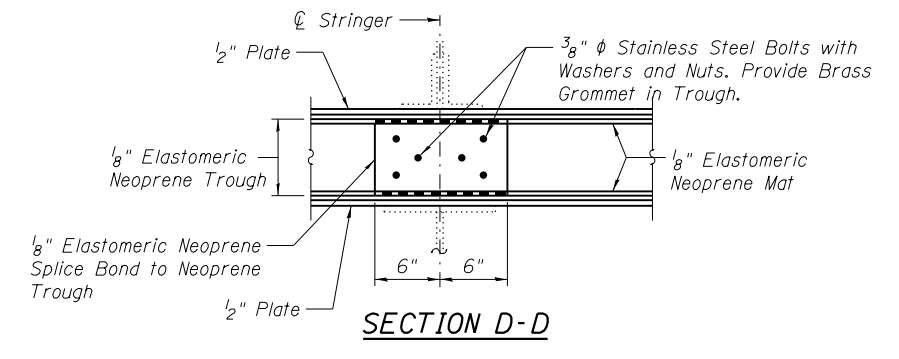
SECTION A-A



SECTION B-B



SECTION C-C



SECTION D-D

Notes:
See sheet S100 of S138 for cross sections thru finger plate joints,
trough details, additional notes and quantity for Fabric Reinforced Elastomeric Trough.

(Sheet 1 of 2)

LIN ENGINEERING, LTD. Consulting Engineers Springfield, Illinois	USER NAME =	DESIGNED - JJA	REVISED -	STATE OF ILLINOIS DEPARTMENT OF TRANSPORTATION	TROUGH REPLACEMENT DETAILS S.N. 082-6001 MLK BRIDGE OVER MISSISSIPPI RIVER	F.A.P. RTE. =	SECTION	COUNTY	TOTAL SHEETS	SHEET NO.
	FILE NAME =	CHECKED - TBP	REVISED -			799	IBR, DRS-2	ST. CLAIR	156	117
	PLOT SCALE =	DRAWN - AJF	REVISED -			CONTRACT NO. 76B03				
PLOT DATE = 05/02/2014	CHECKED - VPT	REVISED -	SHEET NO. S099 OF S138 SHEETS			ILLINOIS FED. AID PROJECT				