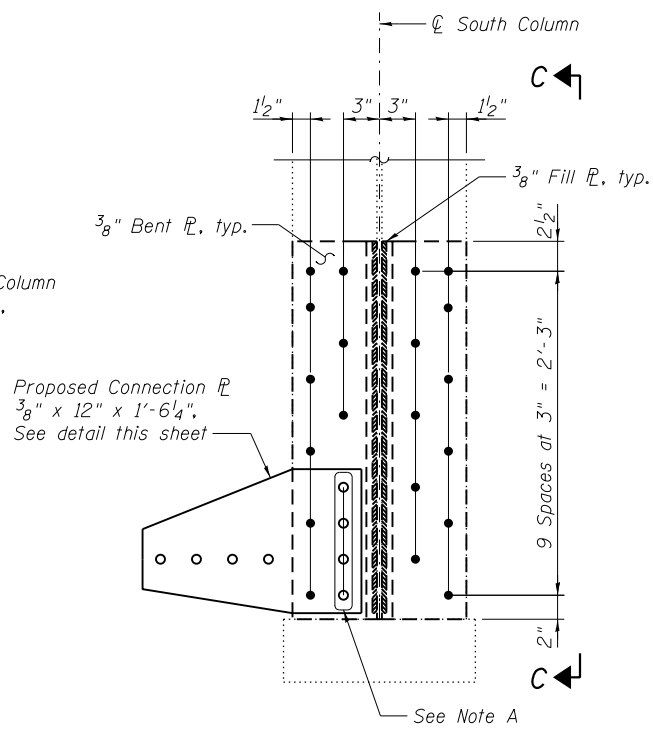
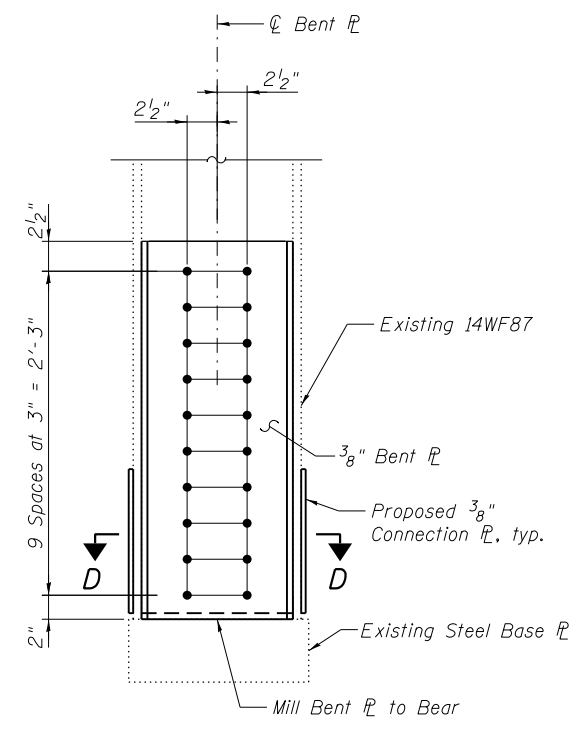


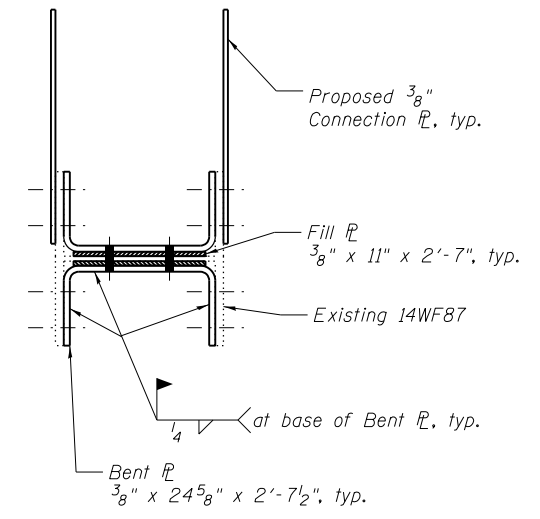
BENT W
(Looking East)



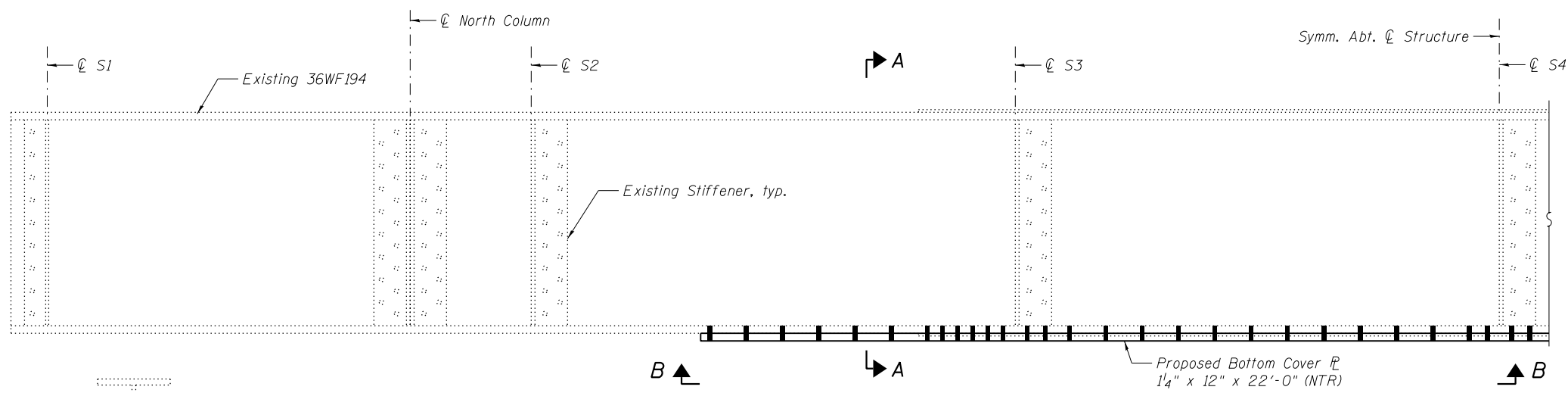
DETAIL 2



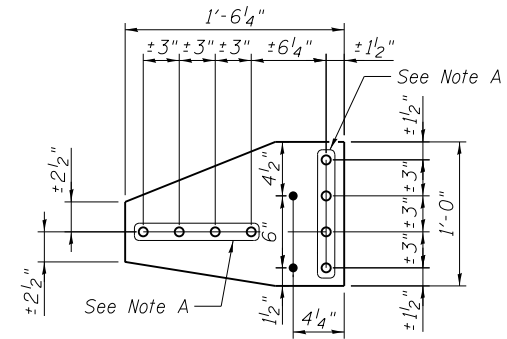
VIEW C-C



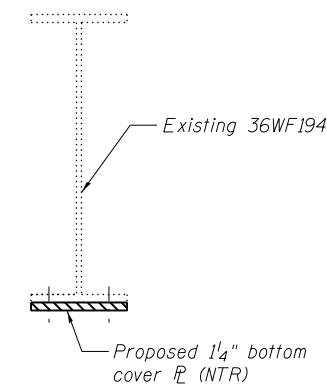
SECTION D-D



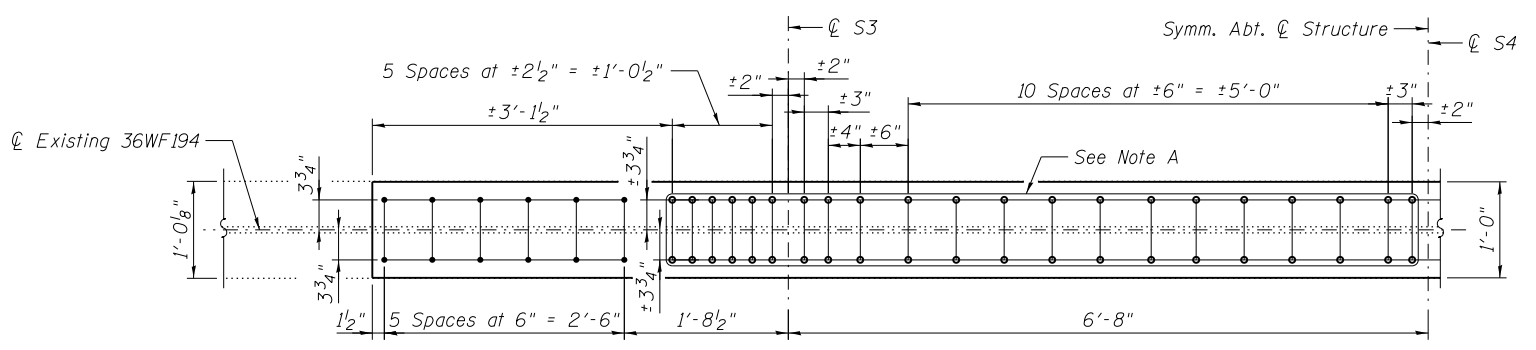
DETAIL 1



CONNECTION bar



SECTION A-A



VIEW B-B

Note A:
Field drill holes using existing holes as template.
Remainder of holes may be shop or field drilled.

BILL OF MATERIAL

Item	Unit	Total
Structural Steel Repair	Pound	1,520

Notes:
All bolted connections shown on this sheet shall be made with 3/4 inch dia. H.S. bolts.
Load carrying components designated "NTR" shall conform to the Impact Testing Requirement, Zone 2.



USER NAME =	DESIGNED - YSS	REVISED
PLOT SCALE =	CHECKED - ZJB	REVISED
PLOT DATE = 05/02/2014	DRAWN - AEC	REVISED
	CHECKED - YSS	REVISED

STATE OF ILLINOIS
DEPARTMENT OF TRANSPORTATION

MISSOURI APPROACH BENT W REPAIRS
S.N. 082-6001 MLK BRIDGE OVER MISSISSIPPI RIVER

SHEET NO. S106 OF S138 SHEETS

F.A.P. RTE.	SECTION	COUNTY	TOTAL SHEETS	SHEET NO.
799	IBR, DRS-2	ST. CLAIR	156	124
CONTRACT NO. 76B03				
ILLINOIS FED. AID PROJECT				