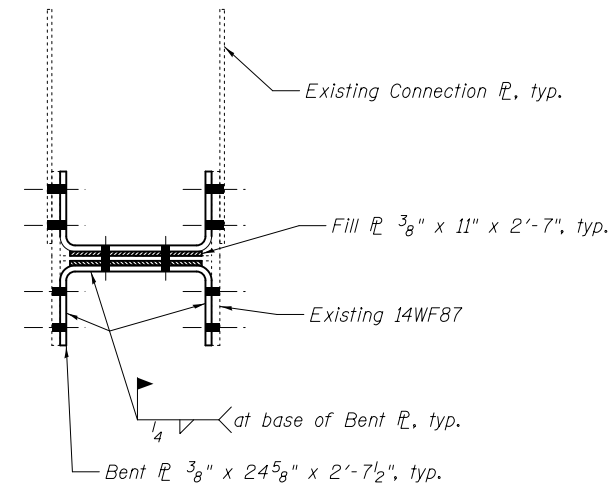
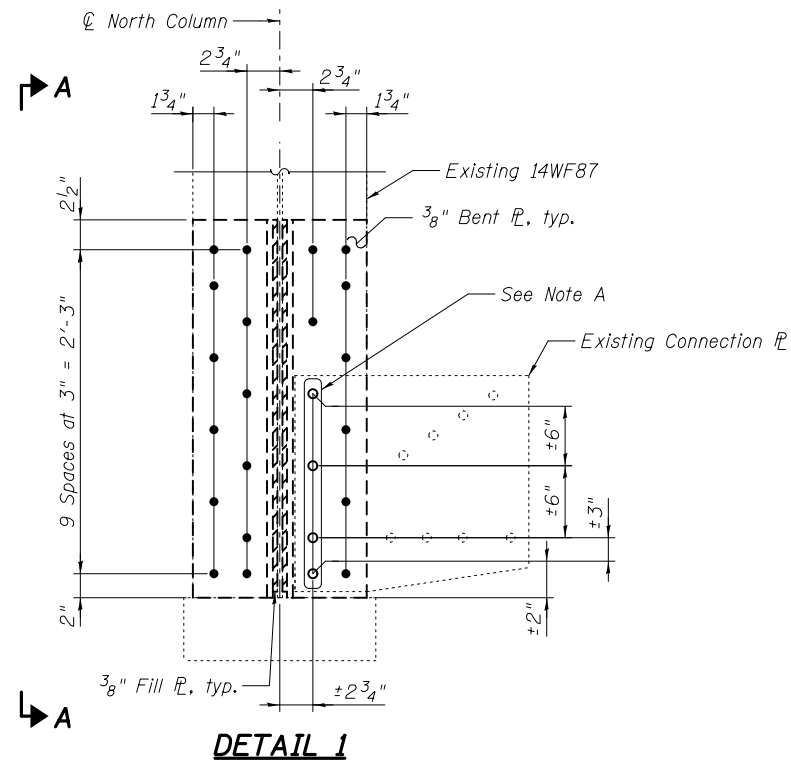


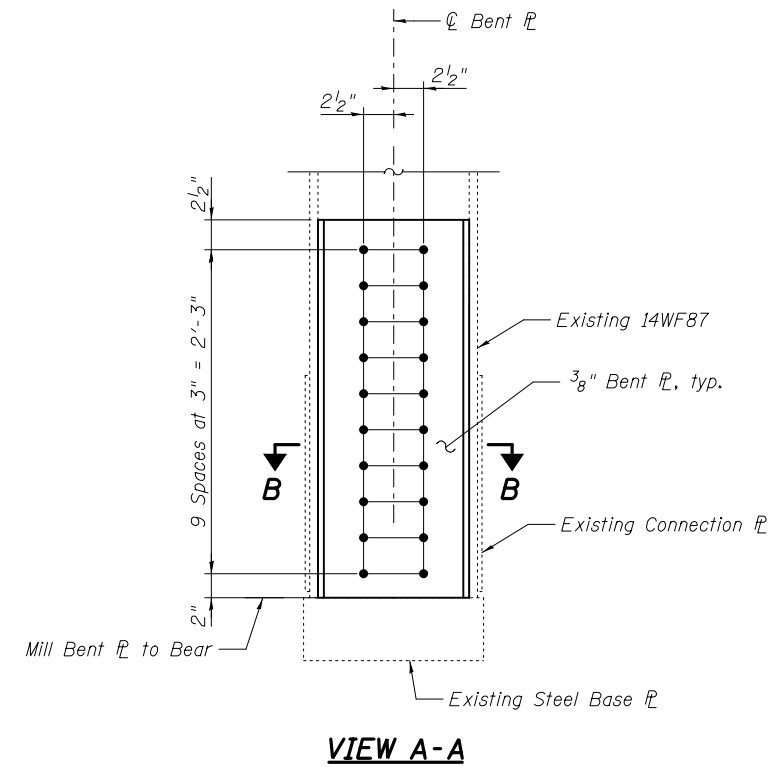
BENT 1
(Looking East)



SECTION B-B



DETAIL 1



VIEW A-A

BILL OF MATERIAL

Item	Unit	Total
Structural Steel Repair	Pound	280

Note A:
Field drill holes using existing holes as template.
Remainder of holes may be shop or field drilled.

Note:
All bolted connections shown on this sheet shall be made with 3/4" dia. H.S. bolts.



USER NAME =	DESIGNED - ZJB	REVISED
	CHECKED - YSS	REVISED
PLOT SCALE =	DRAWN - AEC	REVISED
PLOT DATE = 03/20/2014	CHECKED - ZJB	REVISED

STATE OF ILLINOIS
DEPARTMENT OF TRANSPORTATION

MISSOURI APPROACH BENT 1 REPAIRS
S.N. 082-6001 MLK BRIDGE OVER MISSISSIPPI RIVER

SHEET NO. S107 OF S138 SHEETS

F.A.P. RTE.	SECTION	COUNTY	TOTAL SHEETS	SHEET NO.
799	IBR, DRS-2	ST. CLAIR	156	125
CONTRACT NO. 76B03				
ILLINOIS FED. AID PROJECT				