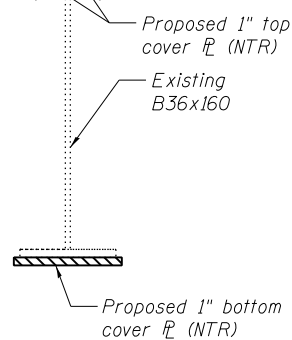


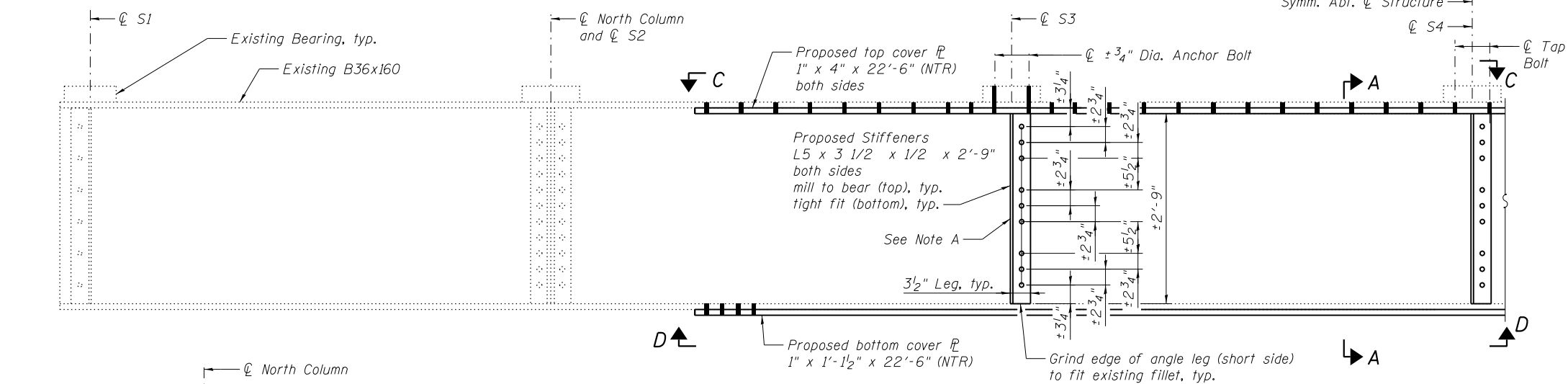
**BENT 22**  
(Looking East)

Fasteners (use tap bolts or anchor bolts at existing bearing plates to provide sealing fasteners)

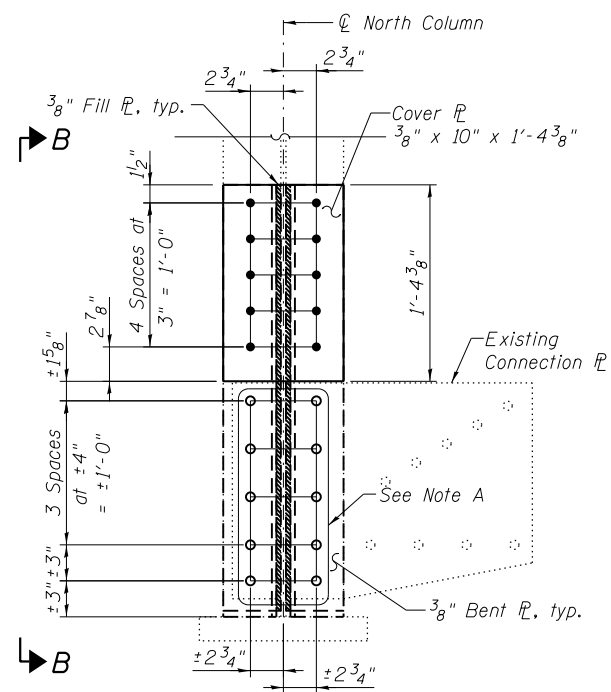


**SECTION A-A**

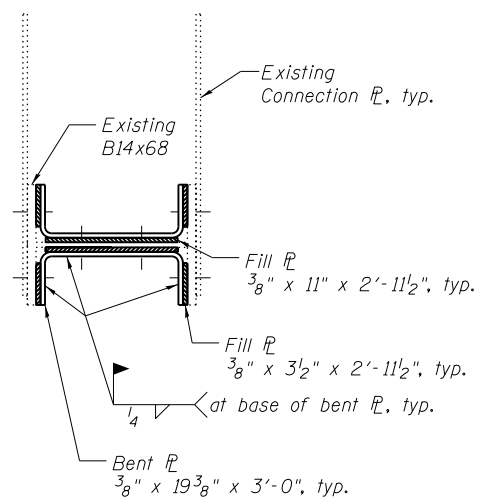
Note A:  
Field drill holes using existing holes as template.  
Remainder of holes may be shop or field drilled.



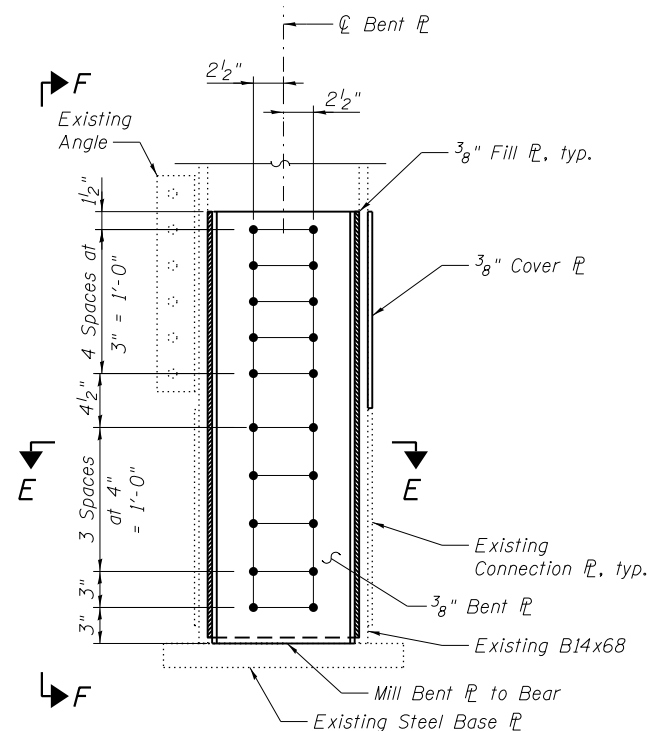
**DETAIL 1**



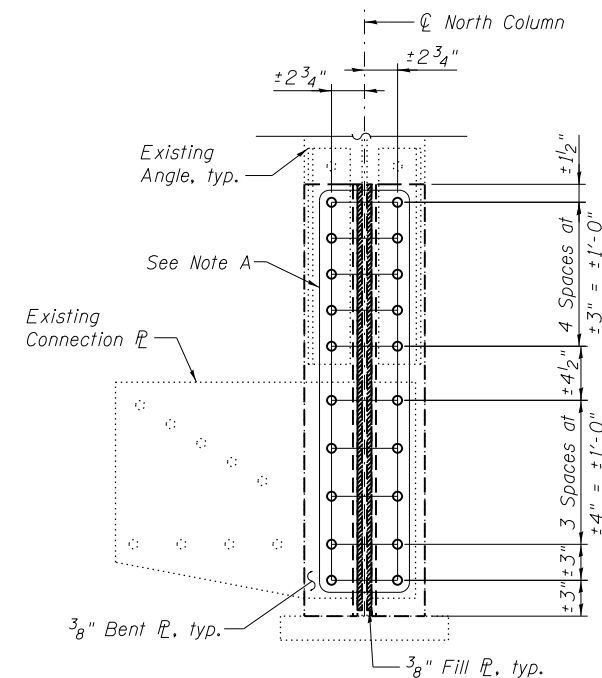
**DETAIL 2**  
(North column shown, South column similar)



**SECTION E-E**



**VIEW B-B**



**VIEW F-F**

**BILL OF MATERIAL**

Item	Unit	Total
Structural Steel Repair	Pound	2,660

Notes:  
All bolted connections shown on this sheet shall be made with 3/4" dia. H.S. bolts.  
Load carrying components designated "NTR" shall conform to the Impact Testing Requirement, Zone 2.  
For View C-C and View D-D details, see sheet S124.



USER NAME =	DESIGNED - YSS	REVISED
PLOT SCALE =	CHECKED - ZJB	REVISED
PLOT DATE = 05/02/2014	DRAWN - AEC	REVISED
	CHECKED - YSS	REVISED

STATE OF ILLINOIS  
DEPARTMENT OF TRANSPORTATION

ILLINOIS APPROACH BENT 22 REPAIRS  
S.N. 082-6001 MLK BRIDGE OVER MISSISSIPPI RIVER

SHEET NO. S117 OF S138 SHEETS

F.A.P. RTE.	SECTION	COUNTY	TOTAL SHEETS	SHEET NO.
799	IBR, DRS-2	ST. CLAIR	156	135
CONTRACT NO. 76B03				

ILLINOIS FED. AID PROJECT