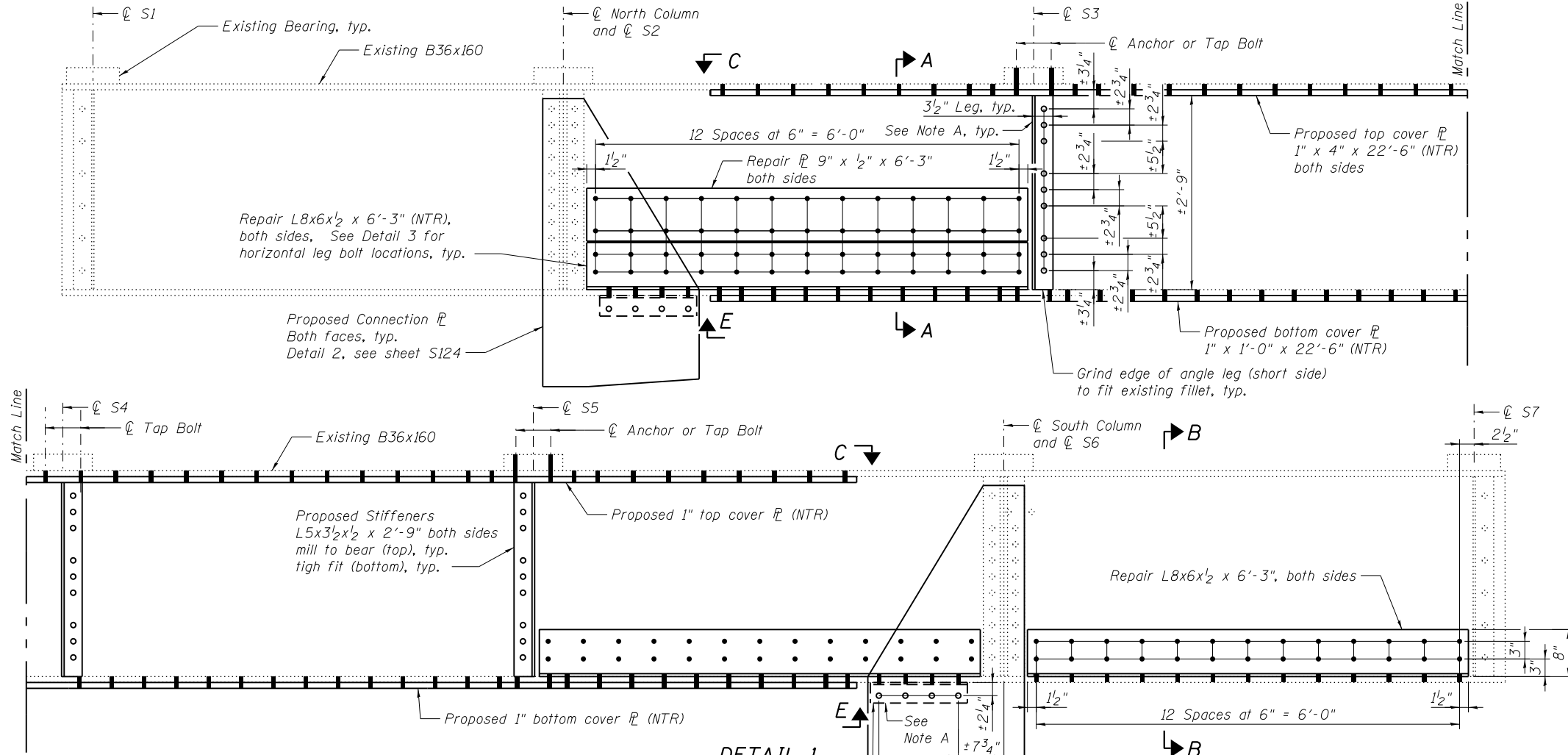
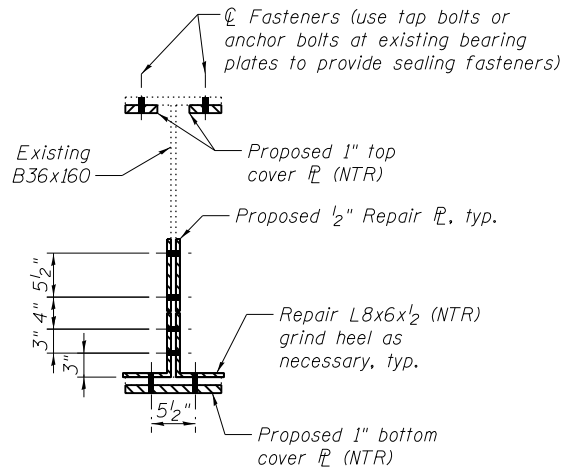


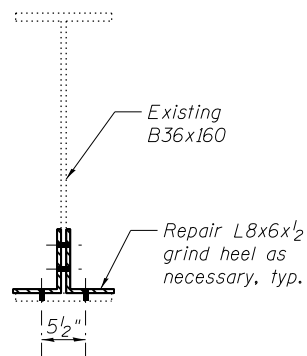
BENT 23
(Looking East)



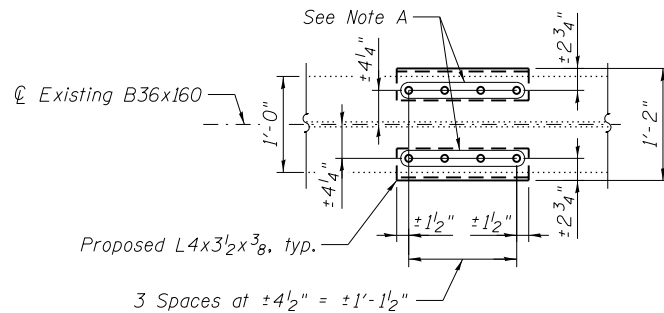
DETAIL 1



SECTION A-A

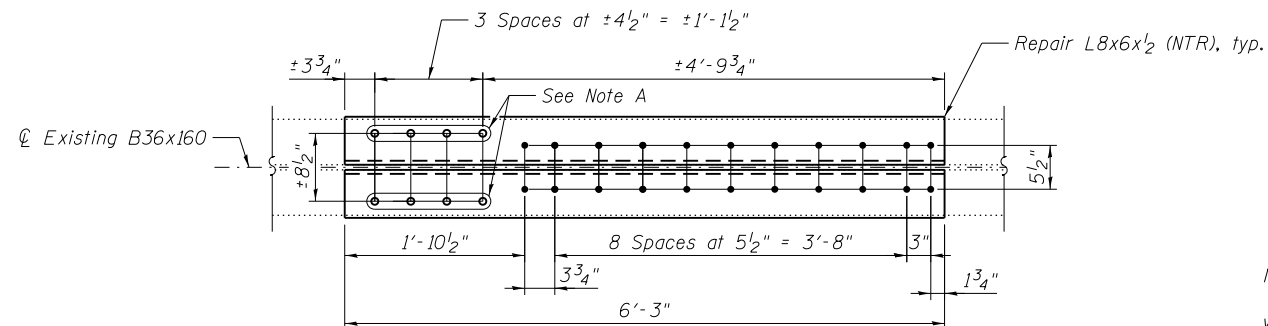


SECTION B-B



DETAIL 4

(Connection plates not shown for clarity)



DETAIL 3

(North end shown, South end similar)

BILL OF MATERIAL

| Item | Unit | Total |
|-------------------------|-------|-------|
| Structural Steel Repair | Pound | 3,630 |

Notes:
All bolted connections shown on this sheet shall be made with 3/4" dia. H.S. bolts.
Load carrying components designated "NTR" shall conform to the Impact Testing Requirement, Zone 2.
For View C-C and View E-E details, see sheet S124.



USER NAME =
DESIGNED - YSS
CHECKED - ZJB
PLOT SCALE =
DRAWN - AEC
PLOT DATE = 05/02/2014
CHECKED - YSS

DESIGNED - YSS
CHECKED - ZJB
DRAWN - AEC
CHECKED - YSS

REVISED
REVISED
REVISED
REVISED

STATE OF ILLINOIS
DEPARTMENT OF TRANSPORTATION

ILLINOIS APPROACH BENT 23 REPAIRS
S.N. 082-6001 MLK BRIDGE OVER MISSISSIPPI RIVER

SHEET NO. S118 OF S138 SHEETS

| F.A.P. RTE. | SECTION | COUNTY | TOTAL SHEETS | SHEET NO. |
|-------------|------------|-----------|--------------|--------------------|
| 799 | IBR, DRS-2 | ST. CLAIR | 156 | 136 |
| | | | | CONTRACT NO. 76B03 |

ILLINOIS FED. AID PROJECT