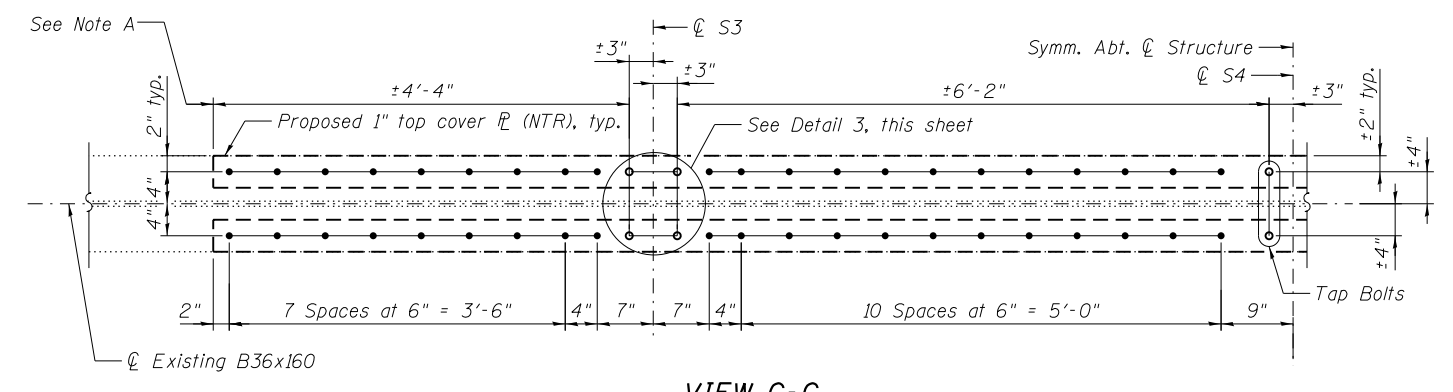
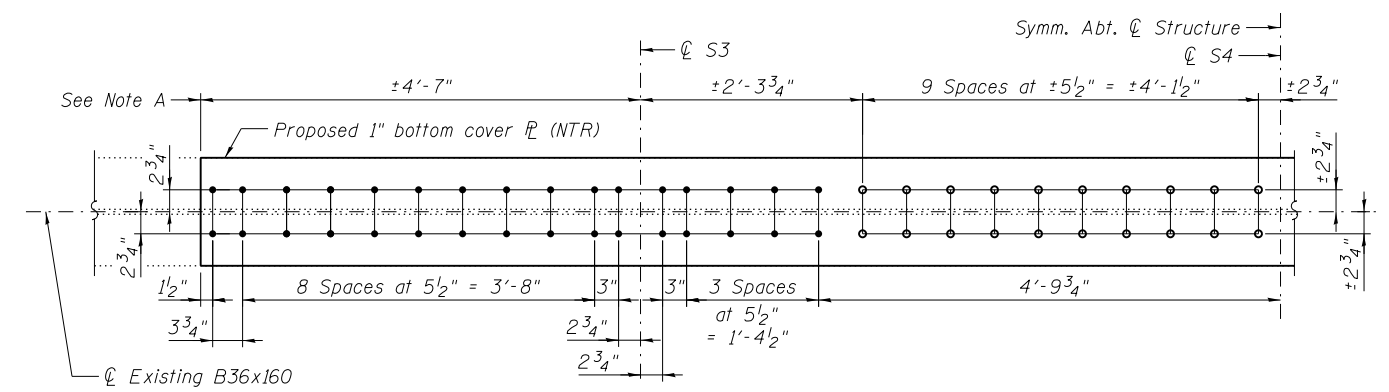


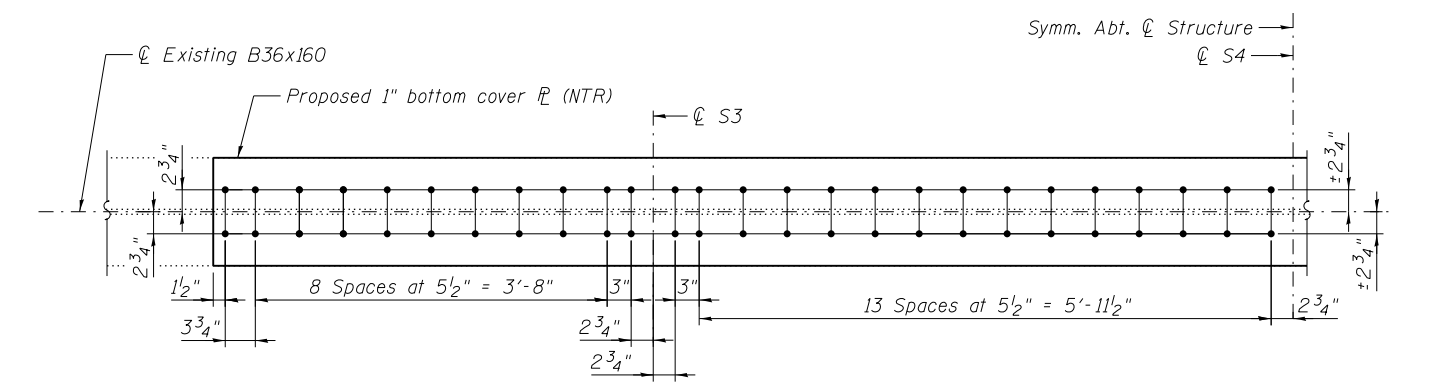
**VIEW C-C
AT BENTS 18, 23 AND 27**



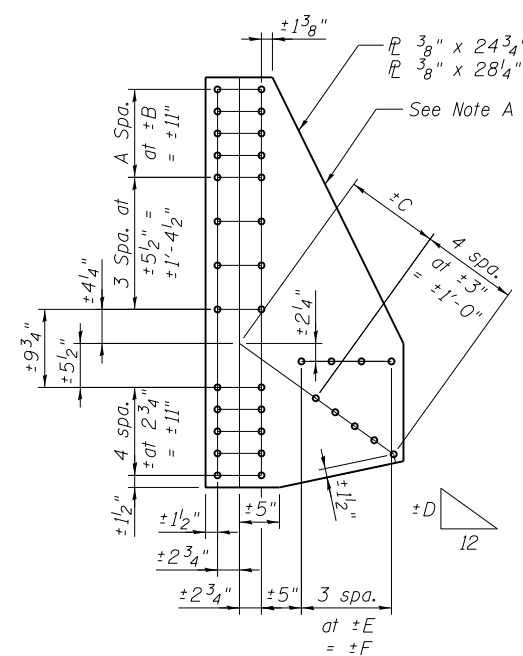
**VIEW C-C
AT BENTS 17, 22 AND 28**



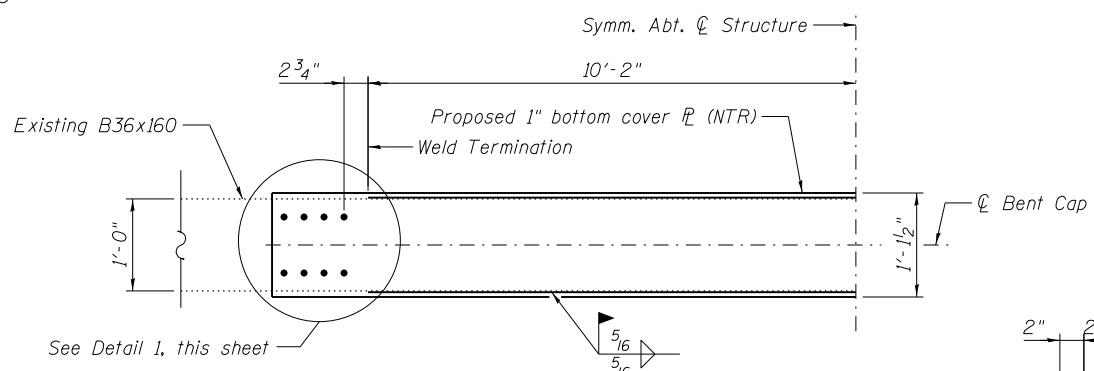
**VIEW E-E
AT BENTS 18, 23 AND 27**



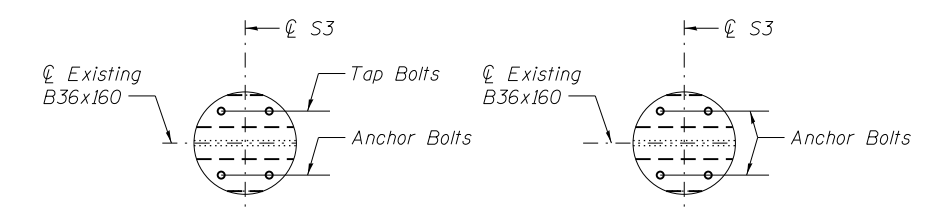
**VIEW E-E
AT BENTS 28**



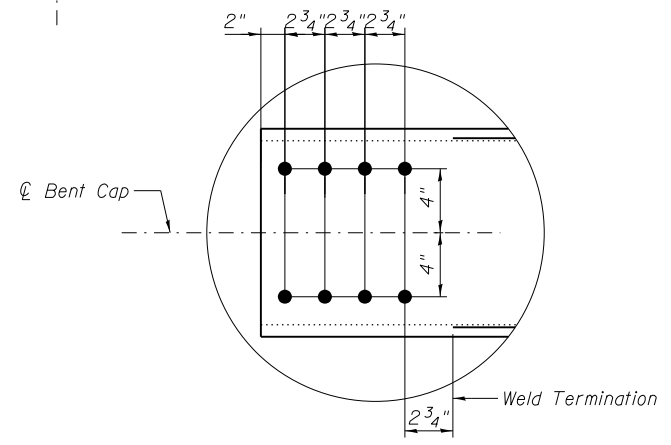
DETAIL 2



**VIEW D-D
AT BENTS 17 AND 22**



DETAIL 3



DETAIL 1

Location	Column	A	B	C	D	E	F
Bent 18-West Face	North & South	4	2 3/4"	11 3/4"	8 1/6"	3 3/4"	11 1/4"
Bent 18-East Face	North & South	2	5 1/2"	11 3/4"	8 1/6"	3 3/4"	11 1/4"
Bent 23-West Face	North & South	4	2 3/4"	1'-1 3/4"	6 3/4"	4 1/2"	1'-1 1/2"
Bent 23-East Face	North & South	2	5 1/2"	1'-1 3/4"	6 3/4"	4 1/2"	1'-1 1/2"
Bent 27-West Face	North & South	2	5 1/2"	11"	10 5/8"	3 3/4"	11 1/4"
Bent 28-West Face	North & South	4	2 3/4"	11"	9 3/6"	3 3/4"	11 1/4"
Bent 28-East Face	South	2	5 1/2"	11"	9 3/6"	3 3/4"	11 1/4"

Notes:
 All bolted connections shown on this sheet shall be made with 3/4" dia. H.S. bolts.
 Load carrying components designated "NTR" shall conform to the Impact Testing Requirement, Zone 2.
 For Bill of Material, see sheets S114, S116, S117, S118, S119, and S121.

Note A:
 Field drill holes using existing holes as template. Remainder of holes may be shop or field drilled.



USER NAME =
 DESIGNED - YSS
 CHECKED - ZJB
 PLOT SCALE =
 DRAWN - AEC
 PLOT DATE = 05/02/2014
 CHECKED - YSS

DESIGNED - YSS
 CHECKED - ZJB
 DRAWN - AEC
 CHECKED - YSS

REVISED
 REVISED
 REVISED
 REVISED

**STATE OF ILLINOIS
 DEPARTMENT OF TRANSPORTATION**

**ILLINOIS APPROACH BENT MISCELLANEOUS DETAILS
 S.N. 082-6001 MLK BRIDGE OVER MISSISSIPPI RIVER**

SHEET NO. S124 OF S138 SHEETS

F.A.P. RTE.	SECTION	COUNTY	TOTAL SHEETS	SHEET NO.
799	IBR, DRS-2	ST. CLAIR	156	142
CONTRACT NO. 76B03				
ILLINOIS FED. AID PROJECT				