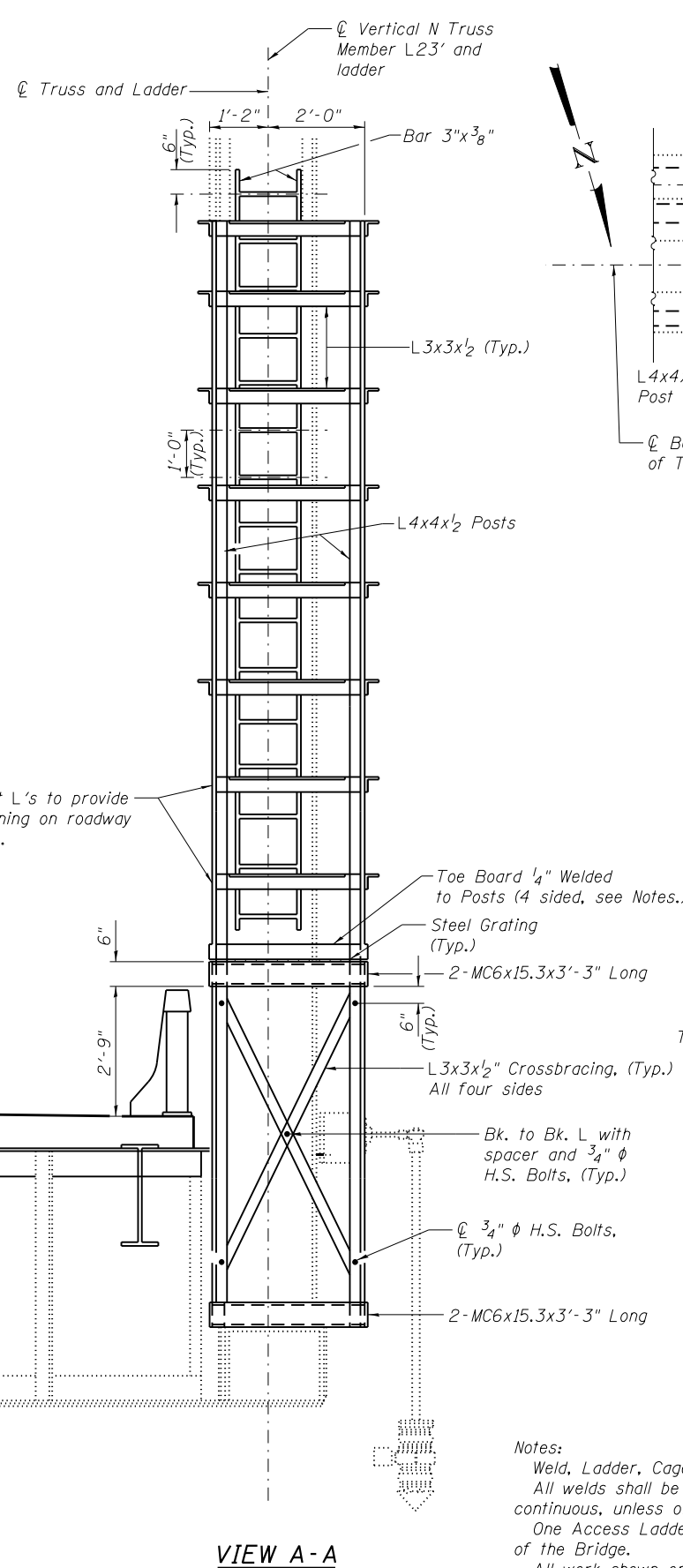
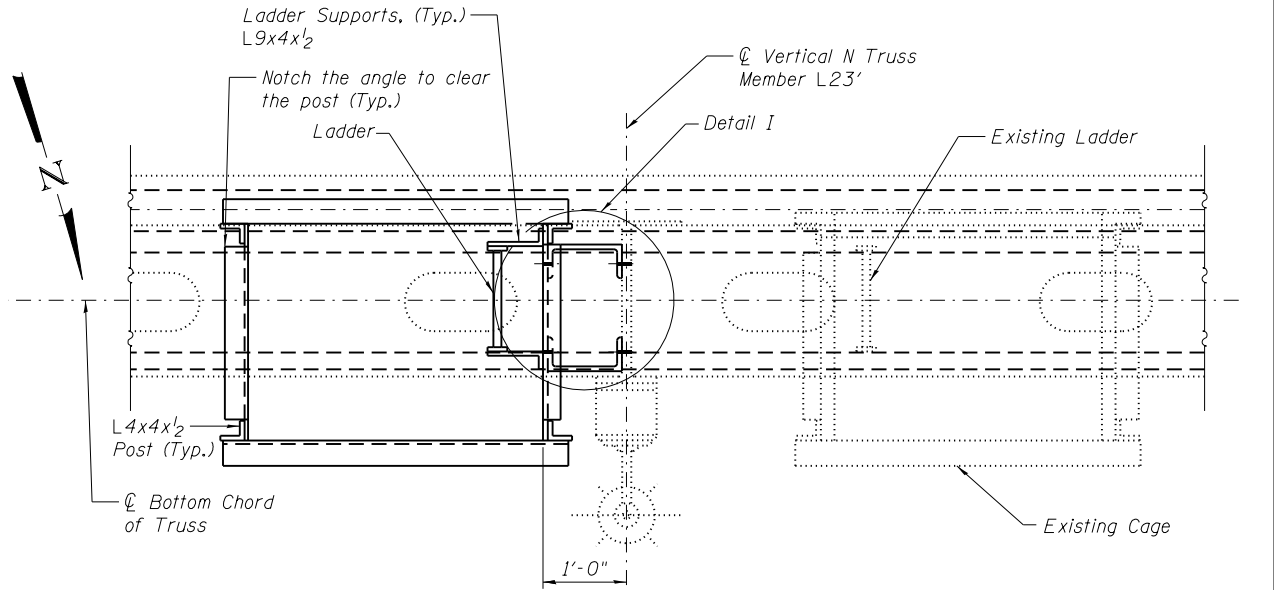


**ELEVATION**

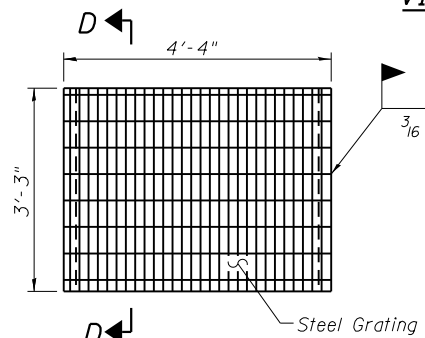
Looking South (North Truss)



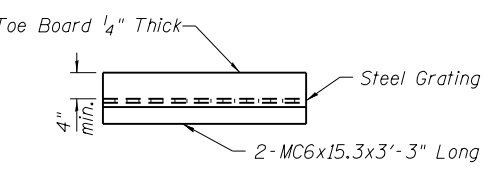
**VIEW A-A**



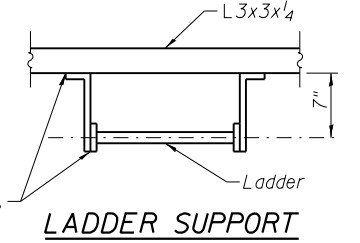
**VIEW B-B**



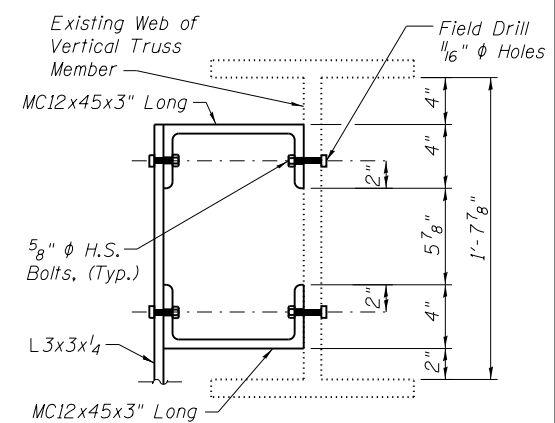
**SECTION C-C**



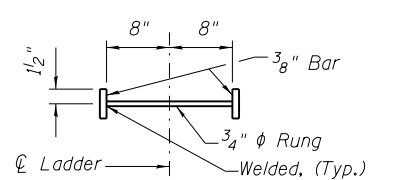
**SECTION D-D**



**LADDER SUPPORT**



**DETAIL I**



**RUNG DETAIL**

**Notes:**  
 Weld, Ladder, Cage, & Platform shall meet OSHA Requirements.  
 All welds shall be 3/16" fillet welds & shall be all around and continuous, unless otherwise shown.  
 One Access Ladder & Cage is required at L23' on the North side of the Bridge.  
 All work shown on this sheet is included with pay item Access Ladder.  
 See General notes for details of painting of new steel.  
 See Lighting Repairs for details about lights.  
 Grating shall provide 100 psf min. Live Load capacity.

**BILL OF MATERIAL**

Item	Unit	Total
Access Ladder	Each	1