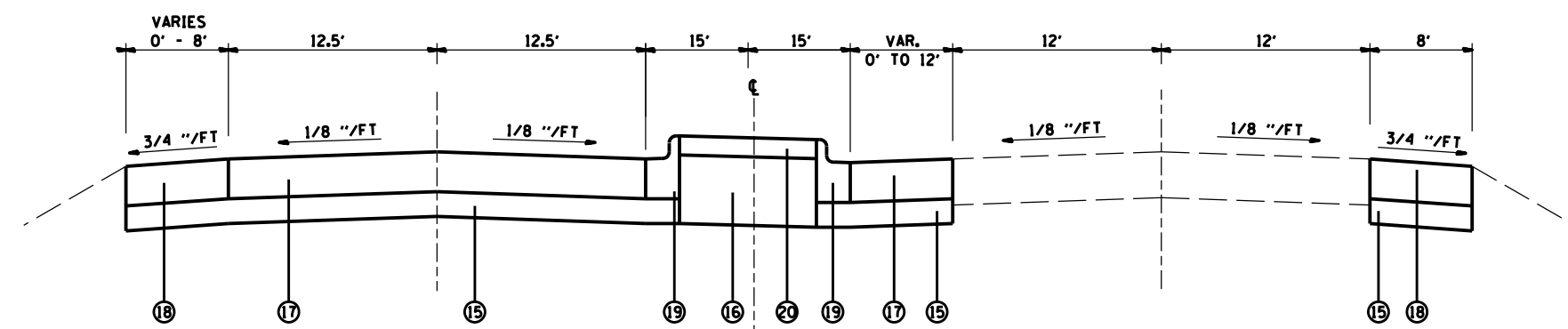
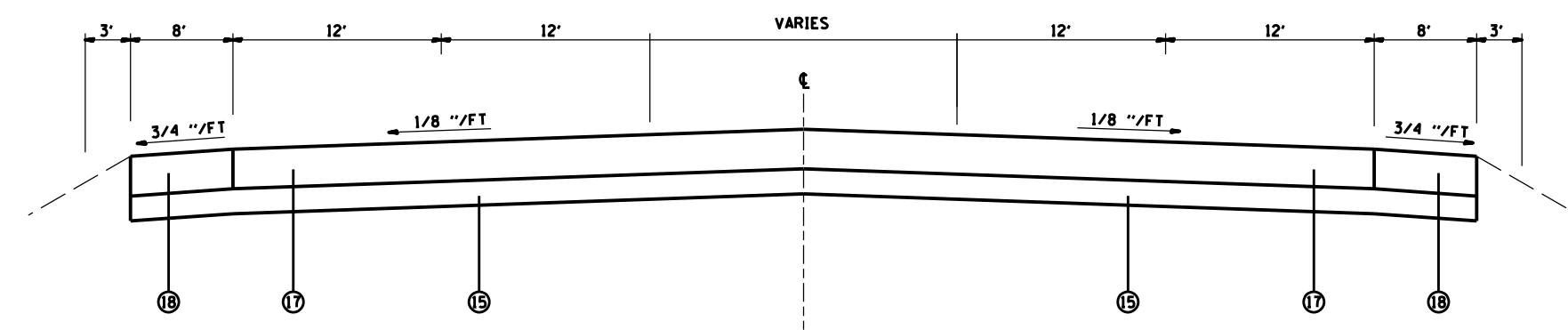


LEGEND

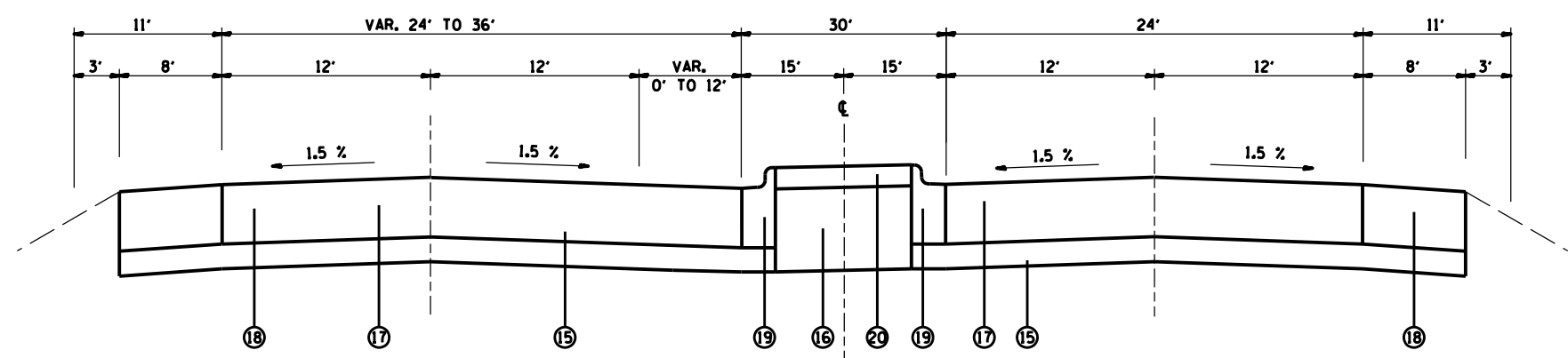
- ① EXISTING SUB-BASE GRANULAR MATERIAL 6"
- ② EXISTING P.C.C. PAVEMENT 10"-8"-10"
- ③ EXISTING P.C.C. BASE COURSE 9"
- ④ EXISTING CLASS B PATCH 9"
- ⑤ EXISTING BRICK PAVEMENT
- ⑥ EXISTING HMA RESURFACING ±4.5"
- ⑦ EXISTING HMA SHOULDERS ±10"
- ⑧ EXISTING AGGREGATE SHOULDERS, TYPE B
- ⑨ EXISTING CONCRETE CURB & GUTTER, TYPE B-9.24
- ⑩ EXISTING CONCRETE MEDIAN SURFACE 4"
- ⑪ PROPOSED PAVEMENT REMOVAL
- ⑫ PROPOSED PAVED SHOULDER REMOVAL
- ⑬ PROPOSED COMBINATION CURB AND GUTTER REMOVAL
- ⑭ PROPOSED MEDIAN REMOVAL
- ⑮ PROPOSED SUBBASE GRANULAR MATERIAL, TYPE A 12"
- ⑯ PROPOSED SUBBASE GRANULAR MATERIAL, TYPE B
- ⑰ PROPOSED PORTLAND CEMENT CONCRETE PAVEMENT (JOINTED), 11"
- ⑱ PROPOSED PCC SHOULDER 11"
- ⑲ PROPOSED COMBINATION CONCRETE CURB & GUTTER, TYPE B-6.24
- ⑳ PROPOSED MEDIAN SURFACE, 6"



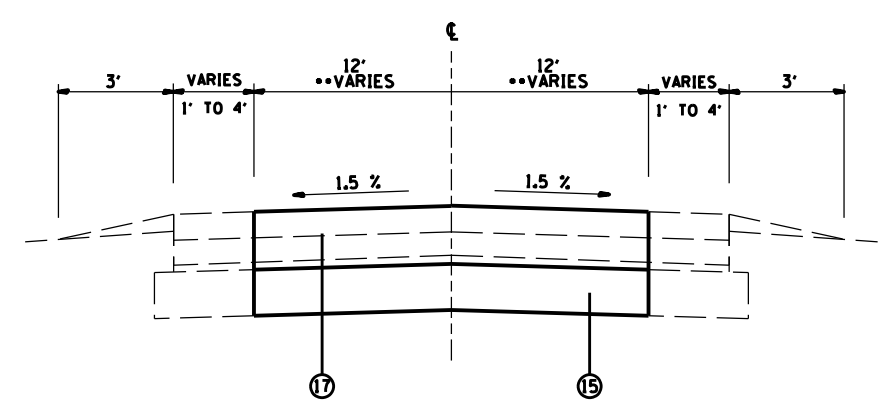
FAP 582
STA 202+87.5 TO STA 207+27



FAP 582
STA 207+27 TO STA 208+15



FAP 582
STA 208+15 TO STA 213+63



FAU 9079
STA 24+83 TO STA 28+00
••STA 28+00 TO STA 29+60

FILE NAME = *FILEL*	USER NAME = *USER*	DESIGNED -	REVISED -	STATE OF ILLINOIS DEPARTMENT OF TRANSPORTATION	PROPOSED TYPICAL SECTIONS			F.A.P. RTE.	SECTION	COUNTY	TOTAL SHEETS	SHEET NO.
		DRAWN -	REVISED -		SCALE:	SHEET NO. OF SHEETS	STA.	TO STA.	6-3N-1	MADISON	73	6
		CHECKED -	REVISED -					CONTRACT NO. 76F41				
		DATE -	REVISED -		FED. ROAD DIST. NO. ILLINOIS FED. AID PROJECT							