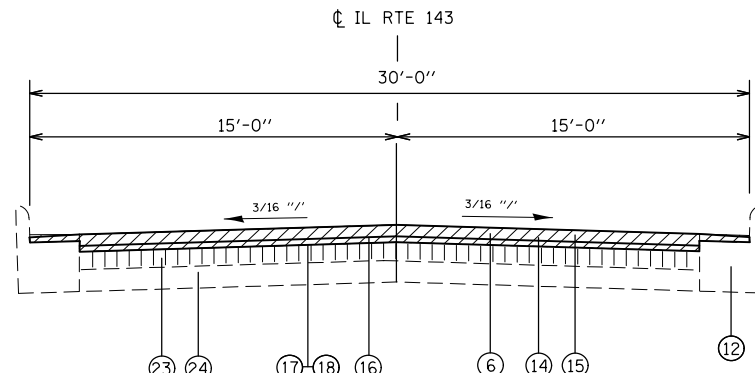
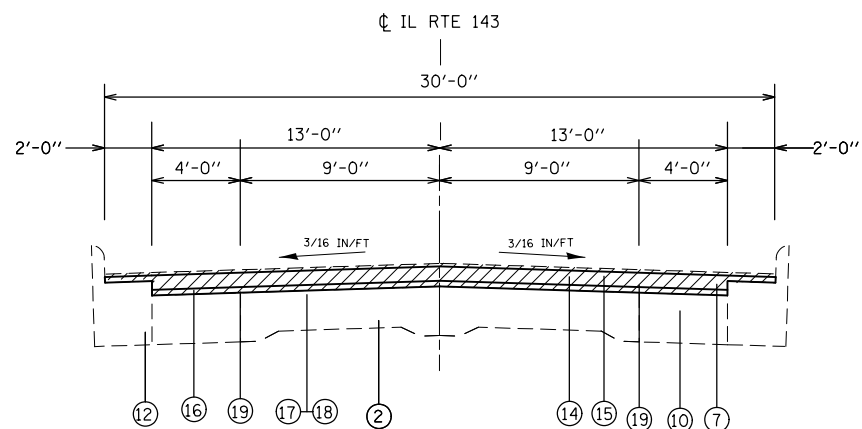


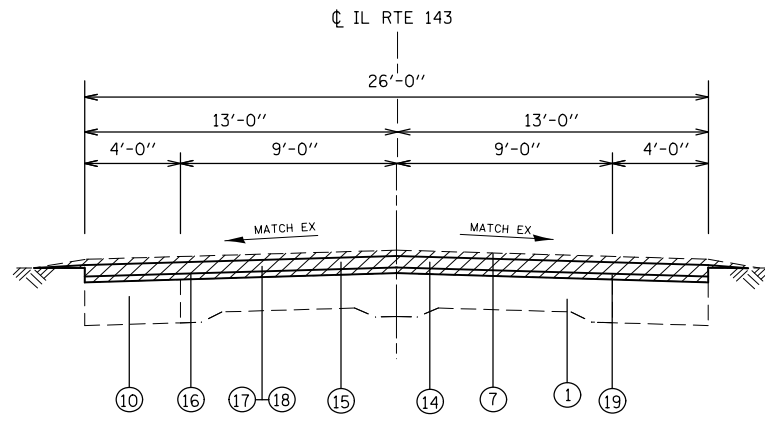
TYPICAL SECTION
STA. 10+00.00 TO STA. 12+39.50
LOCATION OF BRICK IS ESTIMATED



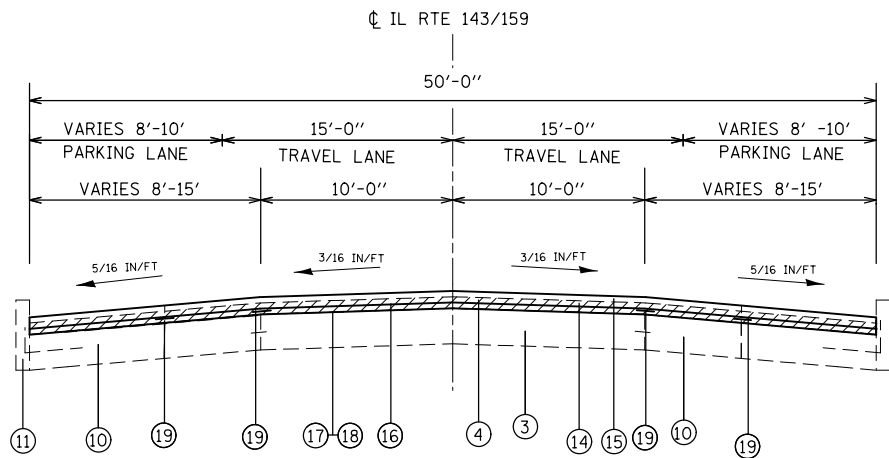
TYPICAL SECTION
STA. 12+39.50 TO STA. 16+44.00
LOCATION OF BRICK IS ESTIMATED



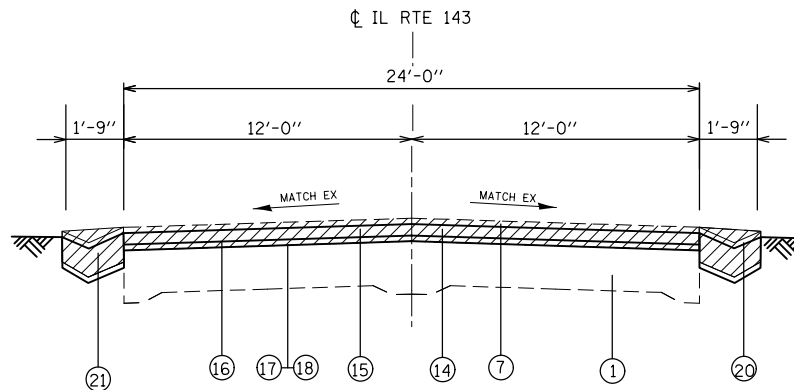
TYPICAL SECTION
STA. 16+44.00 TO STA. 29+71.00
STA. 48+31.00 TO STA. 53+08.00



TYPICAL SECTION
STA. 29+71.00 TO STA. 42+97.50 SEE NOTE 4



TYPICAL SECTION
STA. 43+63.00 TO STA. 56+46.75



TYPICAL SECTION
STA. 42+97.50 TO STA. 48+30.50

LEGEND

- ① EXISTING PCC PAVEMENT - 9-6-9
- ② EXISTING PCC PAVEMENT - 9-7-9
- ③ EXISTING PCC PAVEMENT - 9"
- ④ EXISTING HMA OVERLAY - 2 1/4"
- ⑤ EXISTING HMA OVERLAY - 2 1/2"
- ⑥ EXISTING HMA OVERLAY - 3"
- ⑦ EXISTING HMA OVERLAY - 3 1/2"
- ⑧ EXISTING HMA OVERLAY - VARIES 3" TO 4"
- ⑨ EXISTING HMA OVERLAY - 4"
- ⑩ EXISTING WIDENING
- ⑪ EXISTING CONCRETE CURB
- ⑫ EXISTING CONCRETE CURB & GUTTER
- ⑬ EXISTING SIDEWALK
- ⑭ PROPOSED HMA SURFACE REMOVAL VARIABLE DEPTH - 2 1/4" TO 4"
- ⑮ PROPOSED POLYMERIZED HMA SURFACE COURSE, MIX "D", N70 - 2"
- ⑯ PROPOSED LEVELING BINDER (MACHINE METHOD), IL-9.5FG, N70 - 1"
- ⑰ PROPOSED BITUMINOUS MATERIAL (PRIME COAT)
- ⑱ PROPOSED AGGREGATE (PRIME COAT)
- ⑲ PROPOSED STRIP REFLECTIVE CRACK CONTROL TREATMENT
- ⑳ EXISTING CONCRETE GUTTER
- ㉑ PROPOSED CONCRETE GUTTER TYPE B
- ㉒ PROPOSED CCC&G, TY B6.24
- ㉓ EXISTING BRICK PAVEMENT - 3"
- ㉔ EXISTING CONCRETE PAVEMENT - 4"

NOTES:

1. THE INTENT OF THE HMA SURFACE REMOVAL IS TO COMPLETELY REMOVE THE EXISTING HMA SURFACE EXCEPT FOR THOSE AREAS IN WHICH THE ORIGINAL PAVEMENT CONSIST OF BRICK WITH A PPC BASE. IN THE AREAS CONTAINING BRICK, A 1" HMA SURFACE THICKNESS SHOULD REMAIN.
2. USE CARE IN EXECUTING MILLING OPERATIONS IN AREAS IN WHICH ORIGINAL PAVEMENT MAY CONSIST OF 3" BRICK AND 4" PPC BASE.
3. -INDICATES REMOVAL AREAS.
4. 2" HMA SURFACE REMOVAL AND HMA SURFACE COURSE ONLY ON STRUCTURE LOCATED AT APPROXIMATE STA. 35+98.

FILE NAME =	USER NAME = *USER*	DESIGNED -	REVISED -
*FILE#		DRAWN -	REVISED -
	PLOT SCALE = *SCALE*	CHECKED -	REVISED -
	PLOT DATE = *DATE*	DATE -	REVISED -

**STATE OF ILLINOIS
DEPARTMENT OF TRANSPORTATION**

TYPICAL SECTIONS

SCALE: SHEET NO. 2 OF 2 SHEETS STA. TO STA.

F&RPU RTE.	SECTION	COUNTY	TOTAL SHEETS	SHEET NO.
789	(7Z, 56RS-1, 65-2RS-4	MADISON	74	9
CONTRACT NO. 76G71				
FED. ROAD DIST. NO. ILLINOIS FED. AID PROJECT				