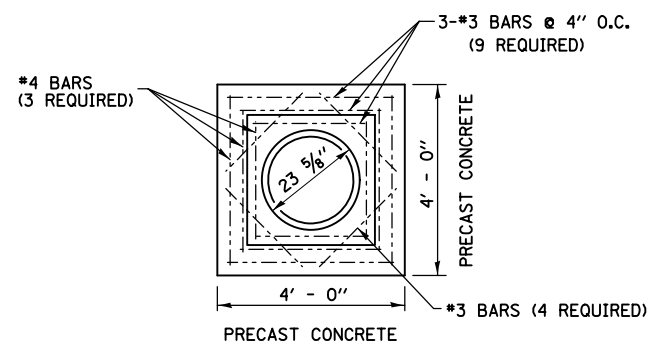
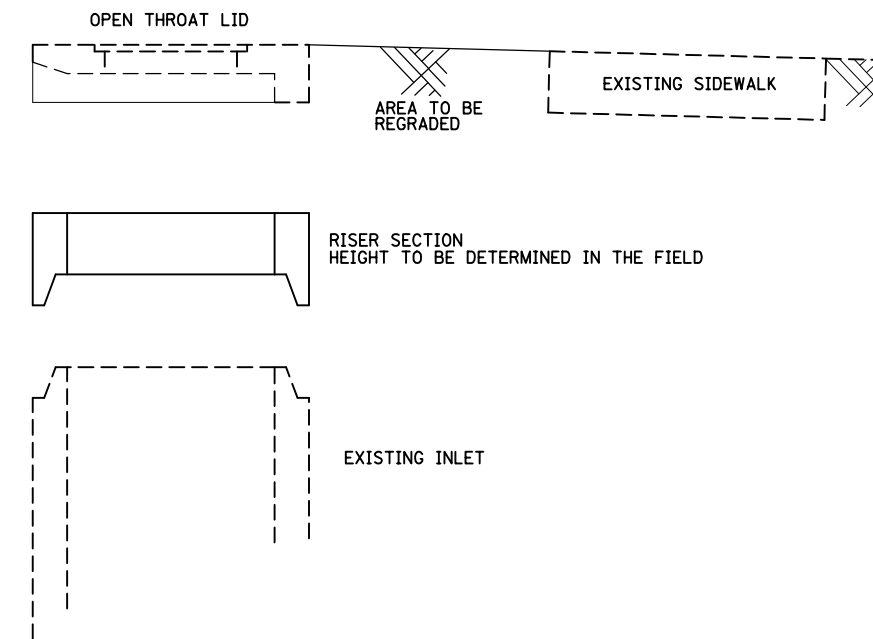
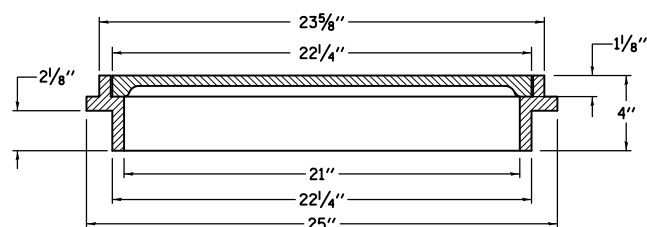


PLAN



CONCRETE LID PLAN



LIGHT DUTY RING AND COVER

| | | | |
|---|------------------------------|------------|-----------|
| FILE NAME = | USER NAME = manntm | DESIGNED - | REVISED - |
| et:\pw\work\p\dot\mannm\0351090\0876071-shd-p\len.dgn | | DRAWN - | REVISED - |
| | PLOT SCALE = 100.0000' / in. | CHECKED - | REVISED - |
| | PLOT DATE = 3/20/2014 | DATE - | REVISED - |

STATE OF ILLINOIS
DEPARTMENT OF TRANSPORTATION

DETAIL-PRECAST CONCRETE FLAT SLAB TOP

SCALE: SHEET NO. 1 OF 1 SHEETS STA. TO STA.

| FAP/ROUTE. | SECTION | COUNTY | TOTAL SHEETS | SHEET NO. |
|---|------------------------|---------|--------------|-----------|
| • | (7Z, 56)RS-1, 65-2RS-4 | MADISON | 74 | 35 |
| CONTRACT NO. 76G71 | | | | |
| FED. ROAD DIST. NO. ILLINOIS FED. AID PROJECT | | | | |

*592/789/8890