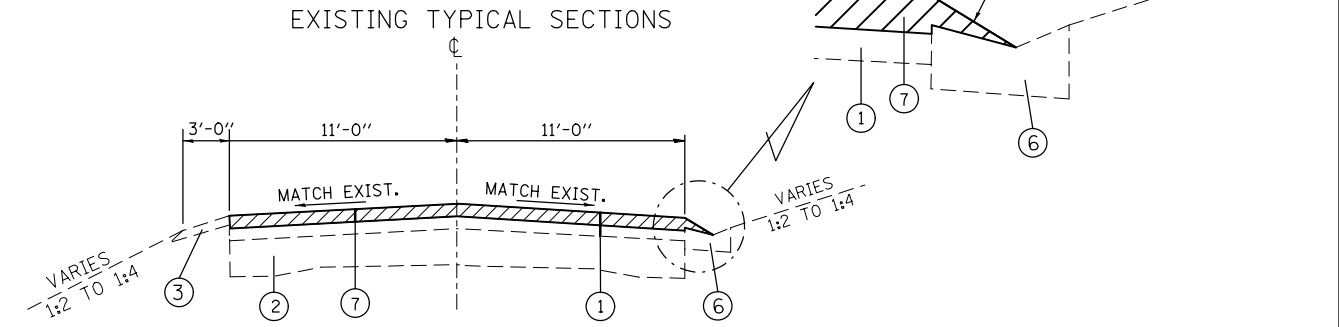
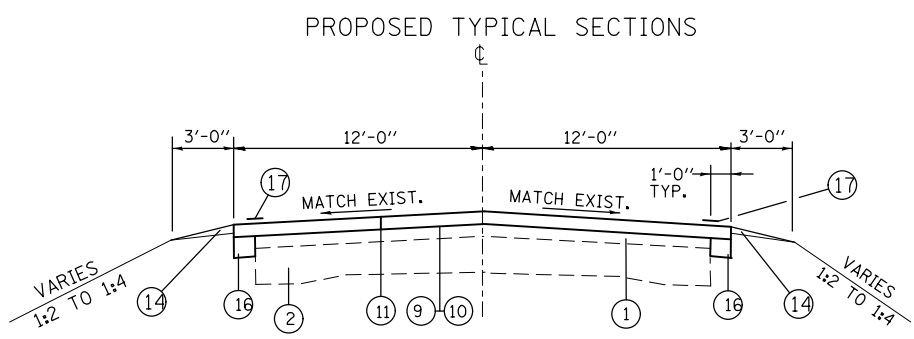


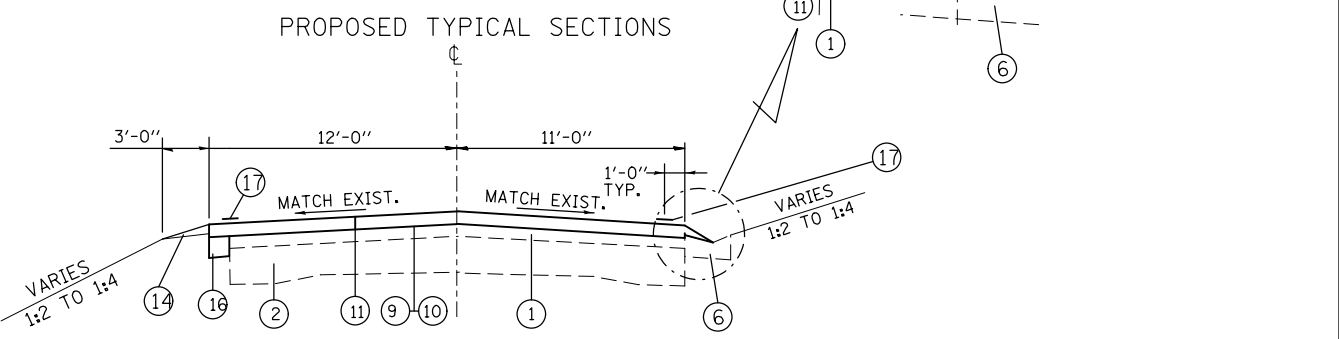
STA. 49+77 TO STA. 63+04 LT
 STA. 55+80 TO STA. 63+04 RT
 STA. 128+50 TO STA. 140+66 RT & LT
 STA. 147+15 TO STA. 156+22 RT
 STA. 147+30 TO STA. 156+22 LT
 STA. 160+08 TO STA. 173+19 RT & LT
 STA. 183+64 TO STA. 204+61 RT & LT
 STA. 216+95 TO STA. 238+22 RT & LT
 STA. 250+72 TO STA. 271+53 LT
 STA. 250+72 TO STA. 272+07 RT
 STA. 278+47 TO STA. 342+83 RT
 STA. 278+47 TO STA. 343+57 LT
 STA. 348+61 TO STA. 453+95 LT
 STA. 349+12 TO STA. 454+85 RT
 STA. 460+20 TO STA. 488+84 RT
 STA. 460+82 TO STA. 488+84 LT



STA. 63+04 TO STA. 128+50
 STA. 156+22 TO STA. 160+08
 STA. 173+19 TO STA. 183+64
 STA. 204+61 TO STA. 216+95
 STA. 238+22 TO STA. 250+72



STA. 49+77 TO STA. 63+04 LT
 STA. 55+80 TO STA. 63+04 RT
 STA. 128+50 TO STA. 140+66 RT & LT
 STA. 147+15 TO STA. 156+22 RT
 STA. 147+30 TO STA. 156+22 LT
 STA. 160+08 TO STA. 173+19 RT & LT
 STA. 183+64 TO STA. 204+61 RT & LT
 STA. 216+95 TO STA. 238+22 RT & LT
 STA. 250+72 TO STA. 271+53 LT
 STA. 250+72 TO STA. 272+07 RT
 STA. 278+47 TO STA. 342+83 RT
 STA. 278+47 TO STA. 343+57 LT
 STA. 348+61 TO STA. 453+95 LT
 STA. 349+12 TO STA. 454+85 RT
 STA. 460+20 TO STA. 488+84 RT
 STA. 460+82 TO STA. 488+84 LT



STA. 63+04 TO STA. 128+50
 STA. 156+22 TO STA. 160+08
 STA. 173+19 TO STA. 183+64
 STA. 204+61 TO STA. 216+95
 STA. 238+22 TO STA. 250+72

- ① EXISTING RESURFACING
- ② EXISTING GRAVEL/CRUSHED STONE
- ③ EXISTING AGGREGATE SHOULDER
- ④ EXISTING HMA SHOULDER
- ⑤ EXISTING COMB. CONC. CURB & GUTTER
- ⑥ EXISTING CONCRETE GUTTER
- ⑦ PROPOSED HMA SURF. REMOVAL - 2"
- ⑧ PROPOSED PAVED SHOULDER REMOVAL
- ⑨ PROPOSED BIT. MAT'L. PRIME COAT
- ⑩ PROPOSED AGG PRIME COAT
- ⑪ PROPOSED HMA SURF COURSE "C" N70 2 1/4"
- ⑫ PROPOSED COMB. CONC. CURB & GUTTER
- ⑬ PROPOSED HMA SHOULDER - 8"
- ⑭ PROPOSED AGGREGATE SHOULDER WEDGE
- ⑮ PROPOSED AGGREGATE BASE COURSE - 4"
- ⑯ PROPOSED HMA BINDER COURSE (SEE DETAIL)
- ⑰ PROPOSED THERMOPLASTIC PVM'T MARKING

FILE NAME =	USER NAME = burnsideem	DESIGNED -	REVISED -
et:\pw\work\p\dot\burnsideem\d0379371\d876h03-sht.pln.dgn		DRAWN - JEC	REVISED -
	PLOT SCALE = 100.0000' / 1in.	CHECKED -	REVISED -
	PLOT DATE = 4/4/2014	DATE -	REVISED -

STATE OF ILLINOIS
 DEPARTMENT OF TRANSPORTATION

TYPICAL SECTIONS			
SCALE:	SHEET NO.	OF SHEETS	STA. TO STA.

F.A. RTE.	SECTION	COUNTY	TOTAL SHEETS	SHEET NO.
304	5RS-5	CALHOUN	15	8
FED. ROAD DIST. NO. ILLINOIS FED. AID PROJECT			76H03	