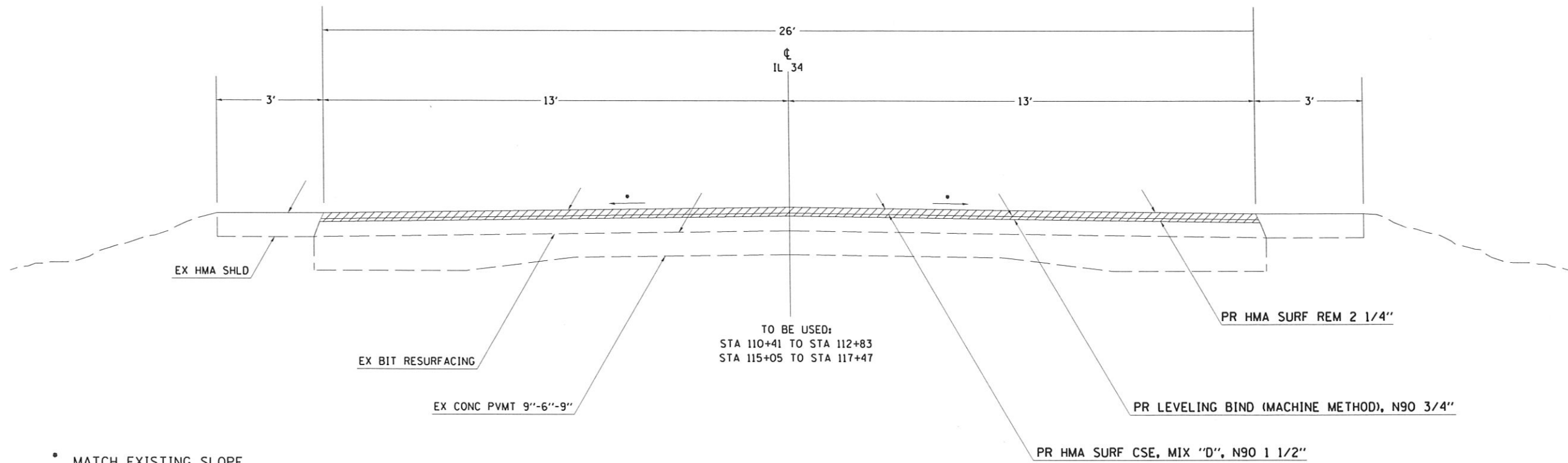
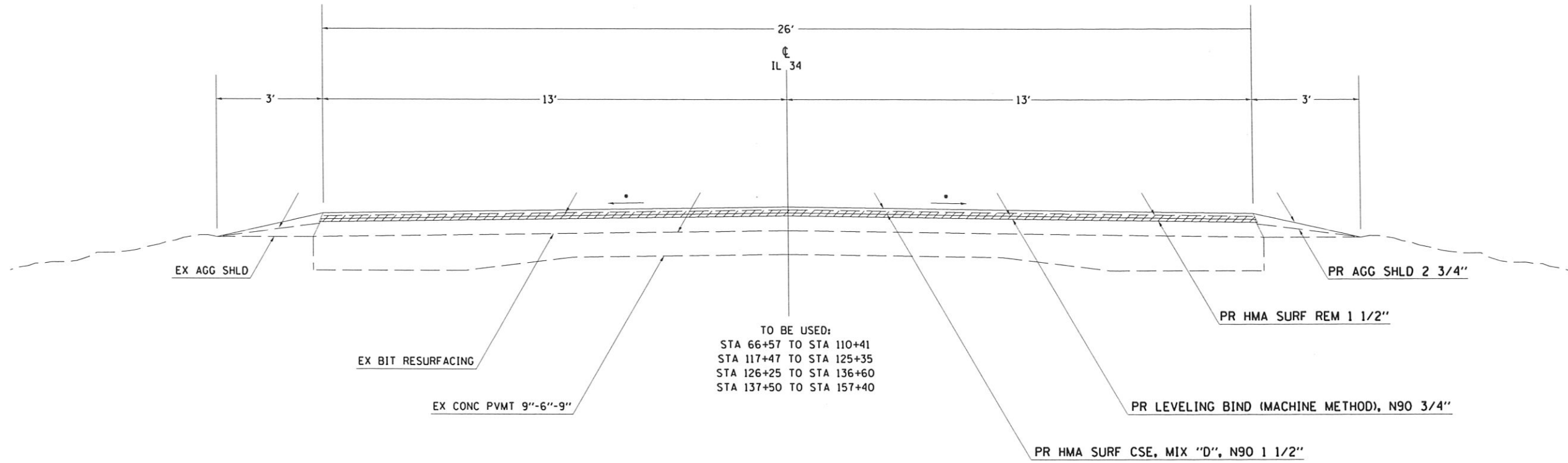


TYPICAL SECTIONS



• MATCH EXISTING SLOPE

FILE NAME *	USER NAME * MeyerTA	DESIGNED -	REVISED -	STATE OF ILLINOIS DEPARTMENT OF TRANSPORTATION	TYPICAL SECTIONS - IL 34	F.A.P. RTE.	SECTION	COUNTY	TOTAL SHEETS	SHEET NO.	
es:\pwork\pwork\meyer\ta\0362583\DX\...-CADD.dgn		DRAWN -	REVISED -			869	10IRS-6	FRANKLIN	13	6	
PLOT SCALE = 5000.0004' / in.		CHECKED -	REVISED -			CONTRACT NO. 78388					
PLOT DATE = 3/20/2014		DATE -	REVISED -			ILLINOIS FED. AID PROJECT					

SCALE: _____ SHEET ____ OF ____ SHEETS STA. _____ TO STA. _____