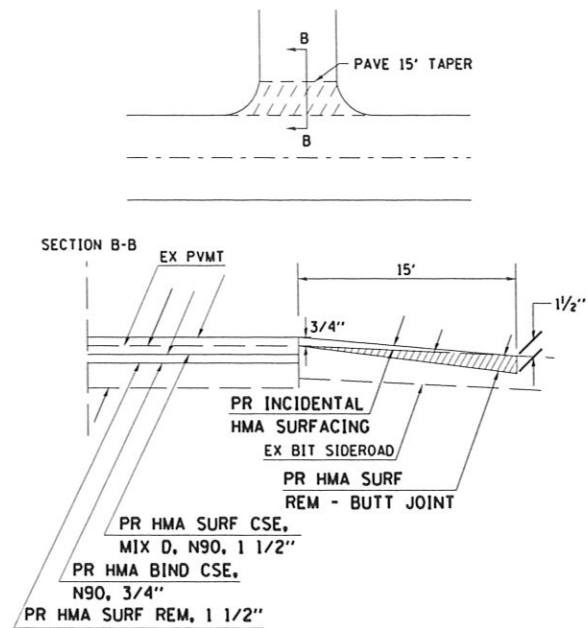
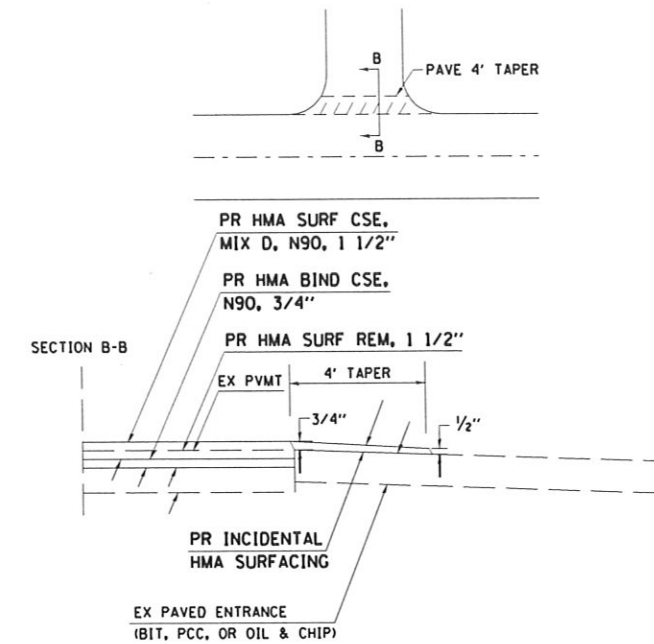


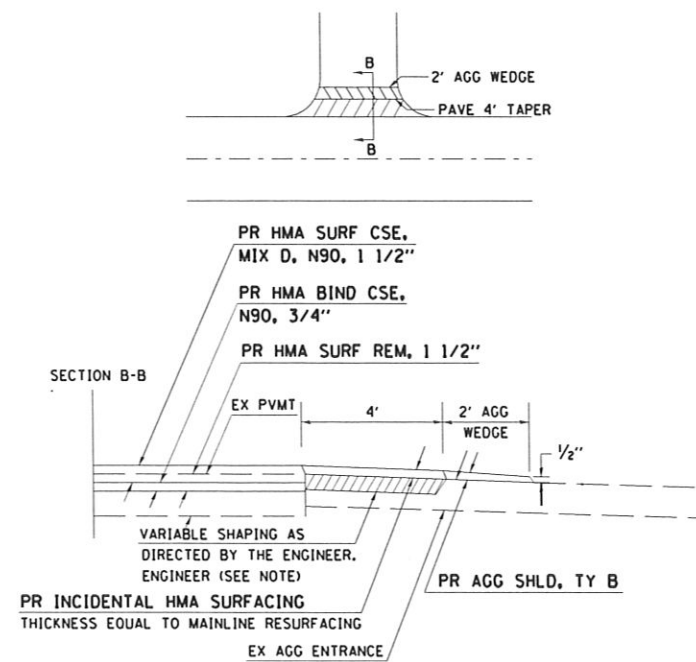
DETAIL OF BITUMINOUS
SIDE ROADS WITH BUTT JOINT



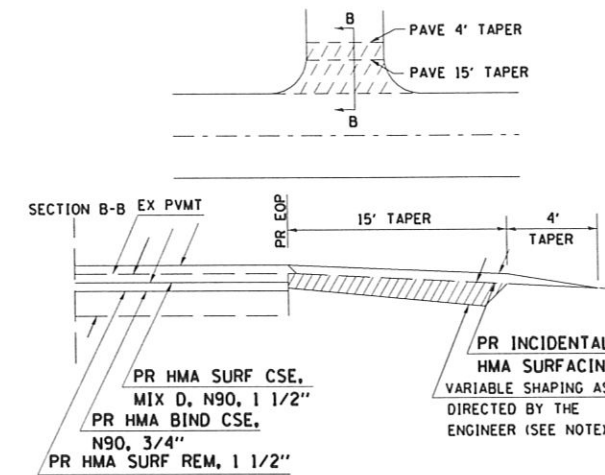
DETAIL OF BITUMINOUS, PCC, OR OIL &
CHIP PRIVATE OR COMMERCIAL ENTRANCE



DETAIL OF AGGREGATE PRIVATE OR
COMMERCIAL ENTRANCE



DETAIL OF OIL & CHIP
SIDE ROAD



NOTES:
VARIABLE SHAPING IS INCLUDED IN THE COST OF HOT-MIX ASPHALT.
PREPARATION OF EXISTING SURFACE AND ANY EXCAVATION FOR ENTRANCES SHALL BE IN ACCORDANCE WITH ARTICLE 406.09 OF THE STANDARD SPECIFICATIONS.
IF EXISTING SUB-BASE IS INADEQUATE, AS DETERMINED BY THE ENGINEER, THE SIDEROADS SHALL BE CORED OUT AND AGGREGATE SUB-BASE, TYPE B SHALL BE PLACED FOR BASE. THE COST OF CORING OUT THE SIDEROAD SHALL BE INCLUDED IN THE COST OF THE AGGREGATE BASE COURSE. IF EXISTING SUB-BASE IS DETERMINED TO BE ADEQUATE, THE AGGREGATE BASE COURSE SHALL BE DELETED AND THE PREPARATION OF THE BASE SHALL BE CONSTRUCTED ACCORDING TO ARTICLE 406.09.

FILE NAME =	USER NAME = MeyerTA	DESIGNED -	REVISED -
cc:\pwork\p\dot\meyerta\d0362583\0xxx-CADD.dgn		DRAWN -	REVISED -
	PLOT SCALE = 5000.0004' / 1in.	CHECKED -	REVISED -
#MODELNAME#	PLOT DATE = 3/20/2014	DATE -	REVISED -

STATE OF ILLINOIS
DEPARTMENT OF TRANSPORTATION

DETAILS: SIDEROADS AND ENTRANCES

SCALE: _____ SHEET _____ OF _____ SHEETS STA. _____ TO STA. _____

F.A.P. RTE. 869	SECTION 10IRS-6	COUNTY FRANKLIN	TOTAL SHEETS 13	SHEET NO. 10
CONTRACT NO. 78388				
ILLINOIS FED. AID PROJECT				