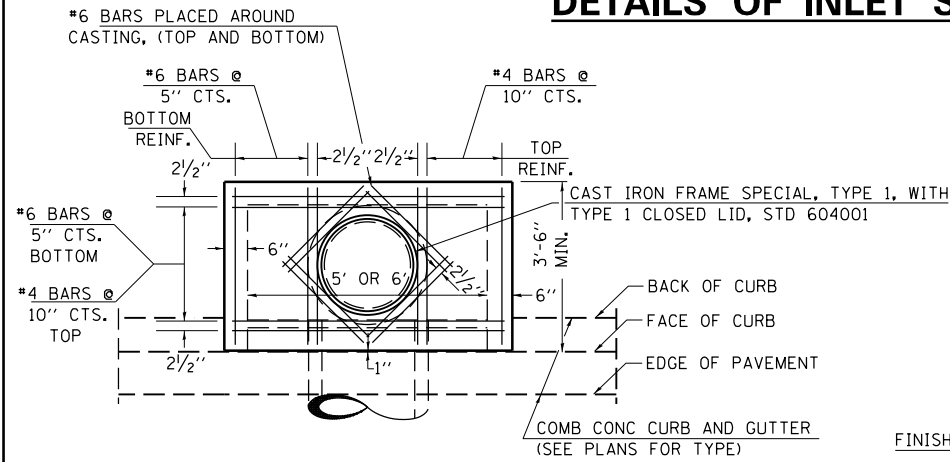


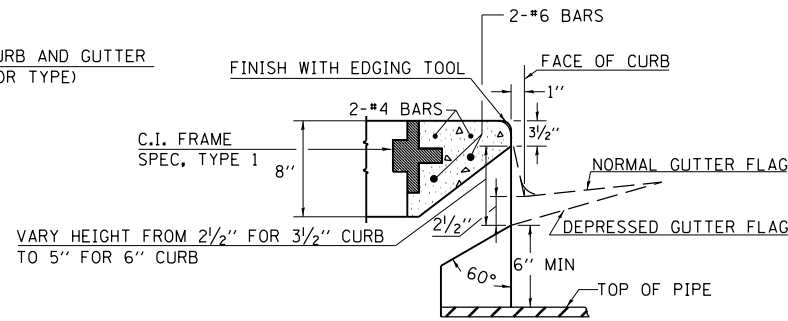
DETAILS OF INLET SPECIAL



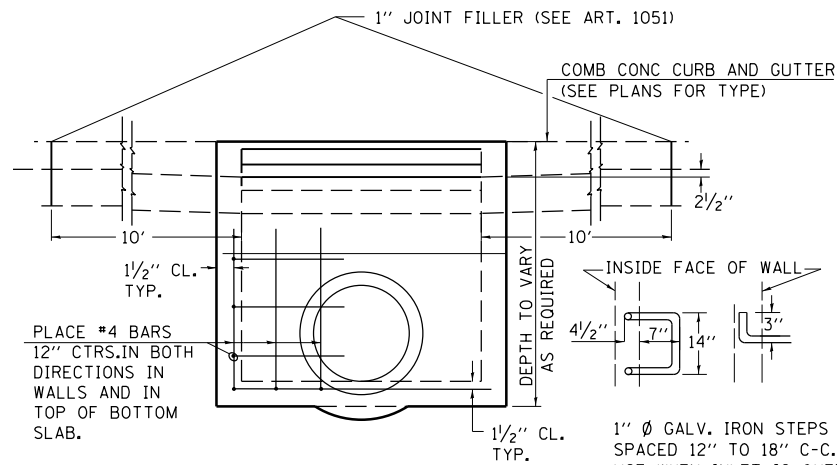
PLAN

CAST IRON FRAME SPECIAL, TYPE 1, WITH TYPE 1 CLOSED LID, STD 604001

BACK OF CURB
FACE OF CURB
EDGE OF PAVEMENT
COMB CONC CURB AND GUTTER (SEE PLANS FOR TYPE)



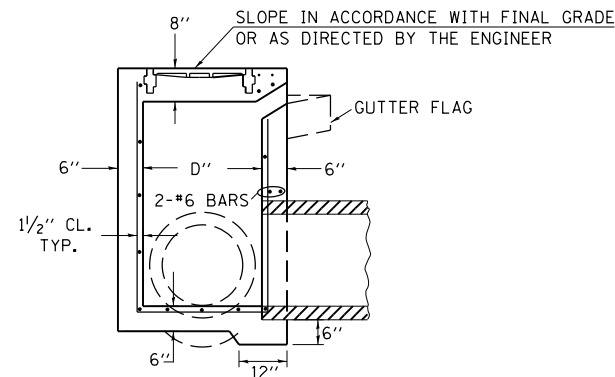
SECTION AT WEIR



ELEVATION

DESIGN	PIPE DIA	"D"
A	18" & LESS	2'-6"
B	21" & 24"	3'-0"
C	27" & 30"	3'-7"
D	33" & 36"	4'-2"
E	42"	4'-9"
F	48"	5'-0"
G	54"	6'-1"

1" Ø GALV. IRON STEPS **
SPACED 12" TO 18" C-C.
USE WHEN INLET IS OVER
4' DEEP.



SECTION

NOTE TO DESIGNER:

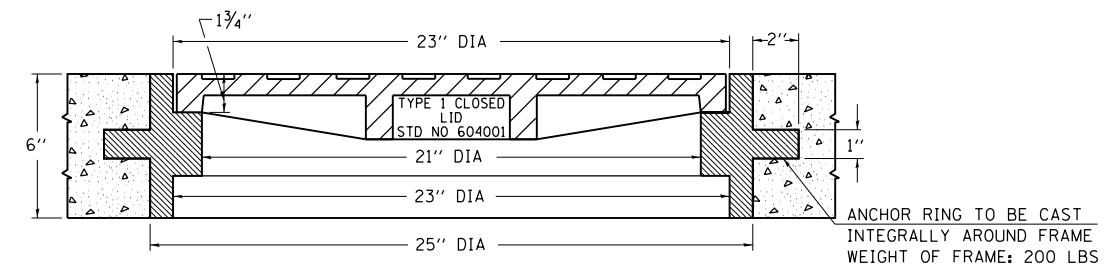
WHEN USING THIS STANDARD THE DESIGNER SHOULD ALSO CHECK BDE SPECIAL PROVISION 419 "PRECAST CONCRETE PRODUCTS".

REVISIONS	
REDRAWN	2-15-89
REVISED	8-15-94
REVISED	1-19-99
REVISED	5-6-04
RESIZED	5-6-08

STD. 9-1

DETAILS OF CAST IRON FRAMES SPECIAL TYPE 1 WITH TYPE 1 CLOSED LID

TYPE 1



ANCHOR RING TO BE CAST
INTEGRALLY AROUND FRAME
WEIGHT OF FRAME: 200 LBS

THE FRAMES MAY BE MADE OF EITHER GRAY IRON CONFORMING TO THE STANDARD SPECIFICATIONS OR DUCTILE IRON CONFORMING TO THE SPECIFICATIONS FOR DUCTILE IRON CASTING, A.S.T.M. DESIGNATION: A536, GRADE 60-45-10.

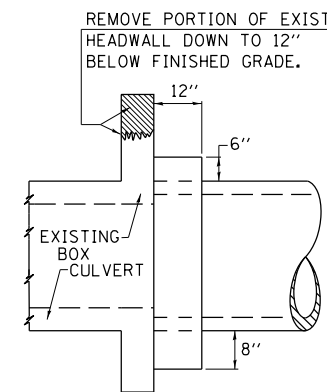
REVISIONS	
REDRAWN	2-15-89
REVISED	12-14-01
REVISED	3-26-08

STD. 9-18

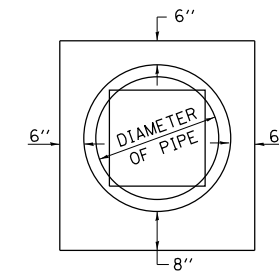
DETAILS OF CONCRETE COLLAR

TABULATION

DIAMETER OF PIPE	CL SI CONC CU YDS EST
12"	0.16
15"	0.19
18"	0.21
24"	0.29
30"	0.37
36"	0.44
42"	0.53
48"	0.62
54"	0.71
60"	0.81
72"	1.03



SIDE VIEW



END VIEW

THE CONCRETE COLLAR SHALL BE PAID FOR AT THE CONTRACT UNIT PRICE PER CUBIC YARD FOR CONCRETE COLLAR, AS SHOWN ON THE PLANS, WHICH PRICE SHALL INCLUDE THE REMOVAL OF SUCH PORTIONS OF THE EXISTING HEADWALLS AS MAY BE REQUIRED.

CLASS SI CONCRETE SHALL BE USED THROUGHOUT.

REVISIONS	
REDRAWN	2-15-89
REVISED	8-19-94
REVISED	3-25-08

STD. 9-19

FILE NAME =	USER NAME = \$USER\$	DESIGNED -	REVISED -
ei:\pw\work\p\idot\kellaykd\0374570\78402-shgt-roadwaydetails.dgn		DRAWN -	REVISED -
PLOT SCALE = 100.0000' / 1"		CHECKED -	REVISED -
PLOT DATE = 3/20/2014		DATE -	REVISED -

**STATE OF ILLINOIS
DEPARTMENT OF TRANSPORTATION**

**DETAIL : INLET SPECIAL ; CAST IRON FRAME, SPECIAL,
TYPE 1 WITH TYPE 1 CLOSED LID; CONCRETE COLLAR**

SCALE: SHEET NO. OF SHEETS STA. TO STA.

F.A.P. RTE.	SECTION	COUNTY	TOTAL SHEETS	SHEET NO.
726	(1-2) N-3	WILLIAMSON	50	29
CONTRACT NO. 78402				
ILLINOIS FED. AID PROJECT				