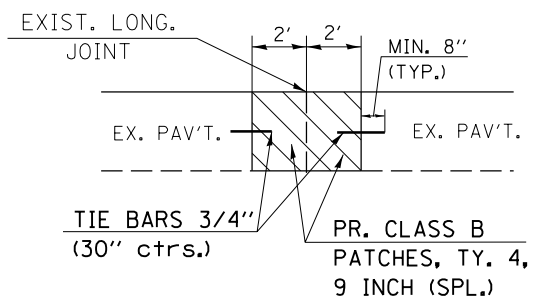
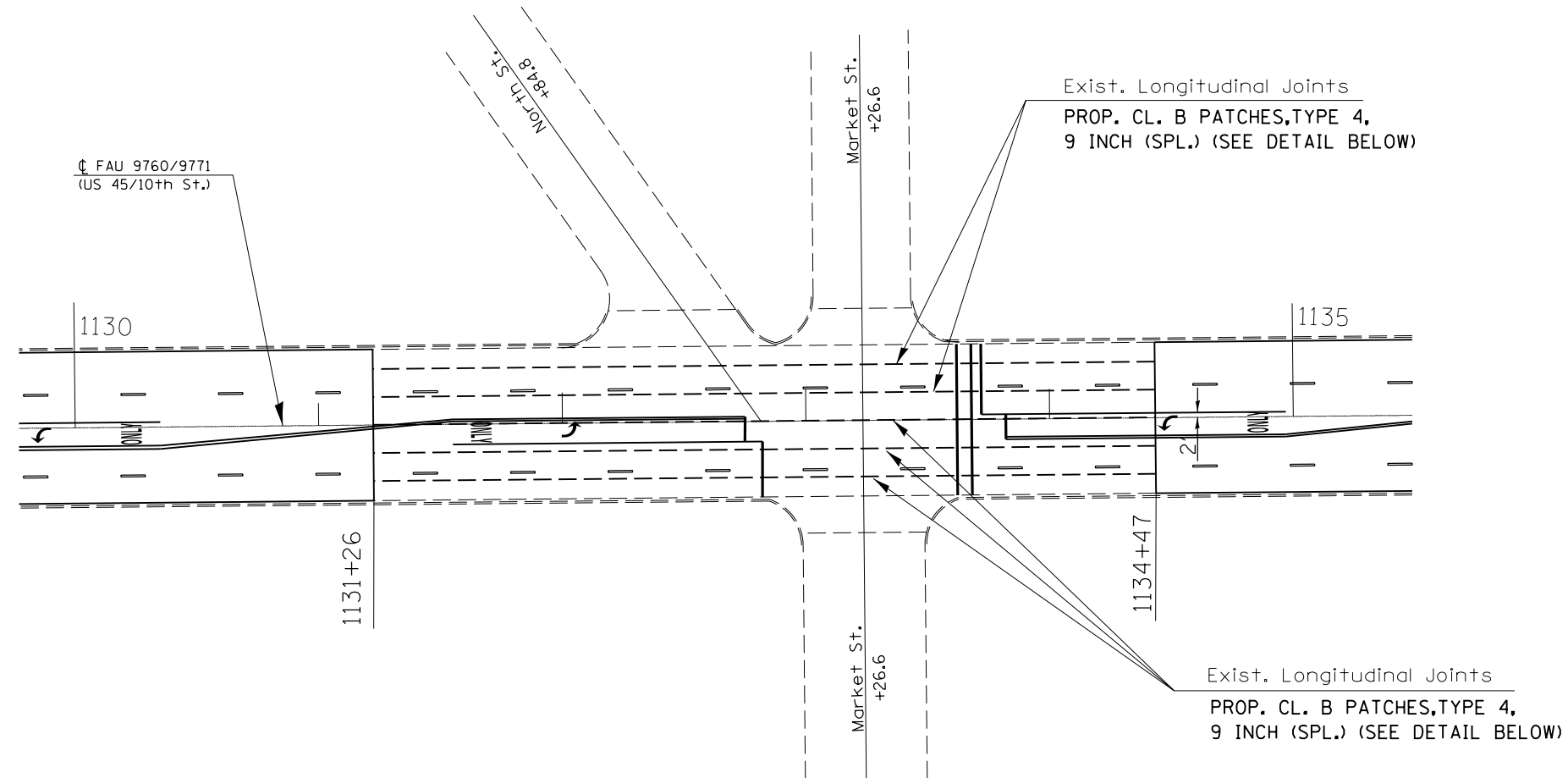
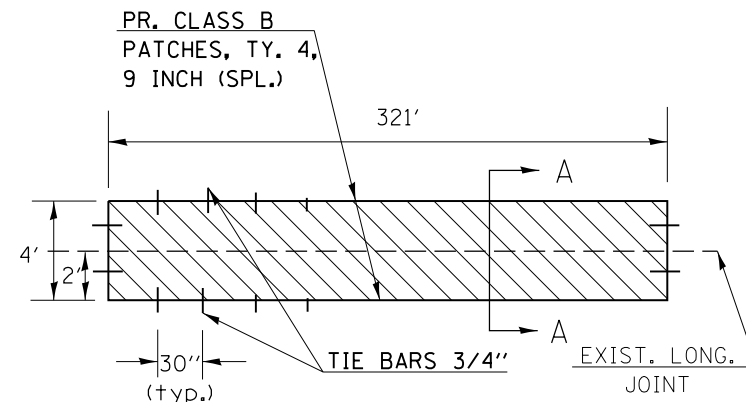


DETAIL FOR CLASS B PATCHES (SPECIAL)  
&  
LONGITUDINAL JOINT REPAIR



SEC. A-A



PLAN VIEW

NOTE: SEE SPECIAL PROVISIONS FOR INFORMATION ON CONSTRUCTION & PAYMENT OF CLASS B PATCHES, TY. 4, 9 INCH (SPECIAL).

• FAU 9760 (US 45)

FILE NAME = c:\pwwork\pwwork\mccordkr\ad0381606\78404-sh1-plan.dgn	USER NAME = mccordkr	DESIGNED -	REVISED -	<b>STATE OF ILLINOIS DEPARTMENT OF TRANSPORTATION</b>	<b>DETAIL - CLASS B PATCHES (SPECIAL)</b>			F.A. RTE.	SECTION	COUNTY	TOTAL SHEETS	SHEET NO.
	PLOT SCALE = 100.0000' / in.	CHECKED -	REVISED -					•	41RS-7	MASSAC	29	23
PLOT DATE = 3/19/2014	DATE -	REVISED -	REVISED -		SCALE:      SHEET NO.    OF    SHEETS    STA.            TO STA.			CONTRACT NO. 78404				
							ILLINOIS FED. AID PROJECT					