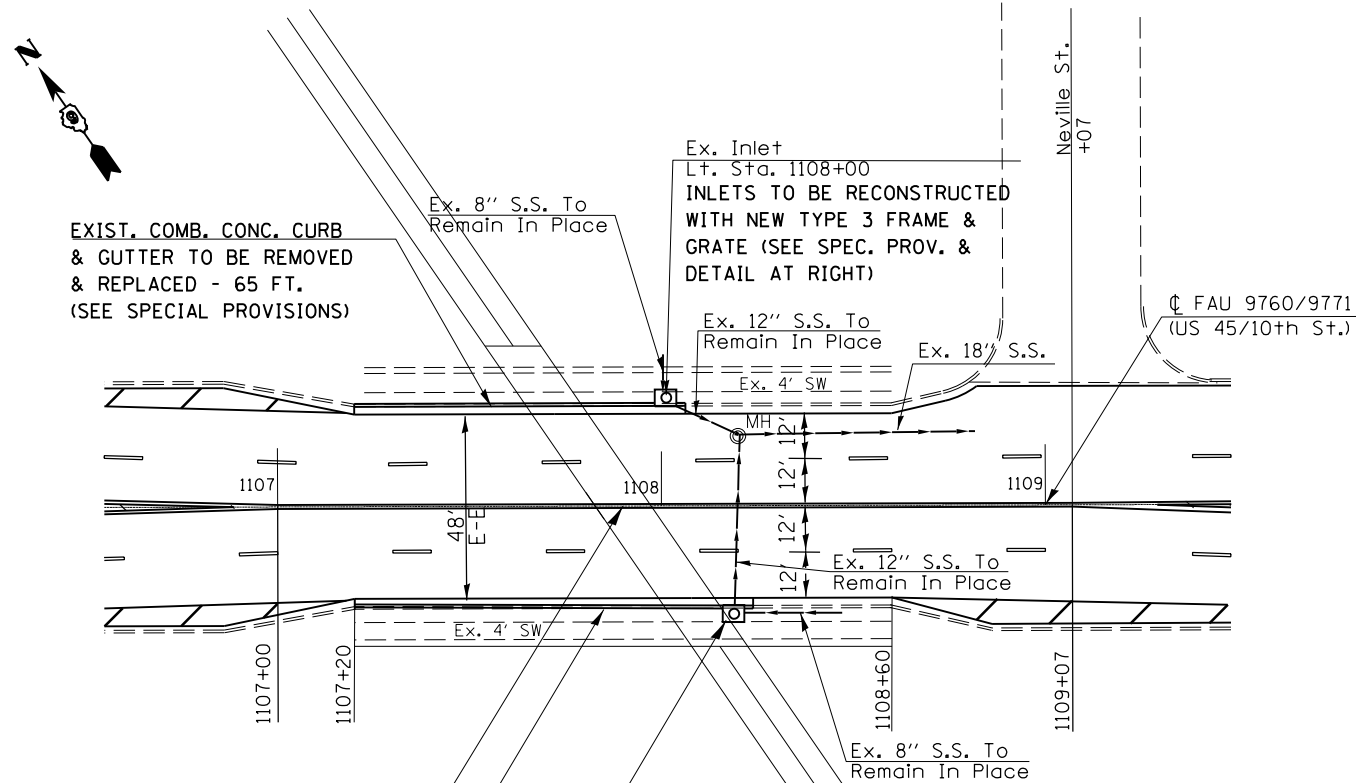


INLETS TO BE RECONSTRUCTED DETAILS

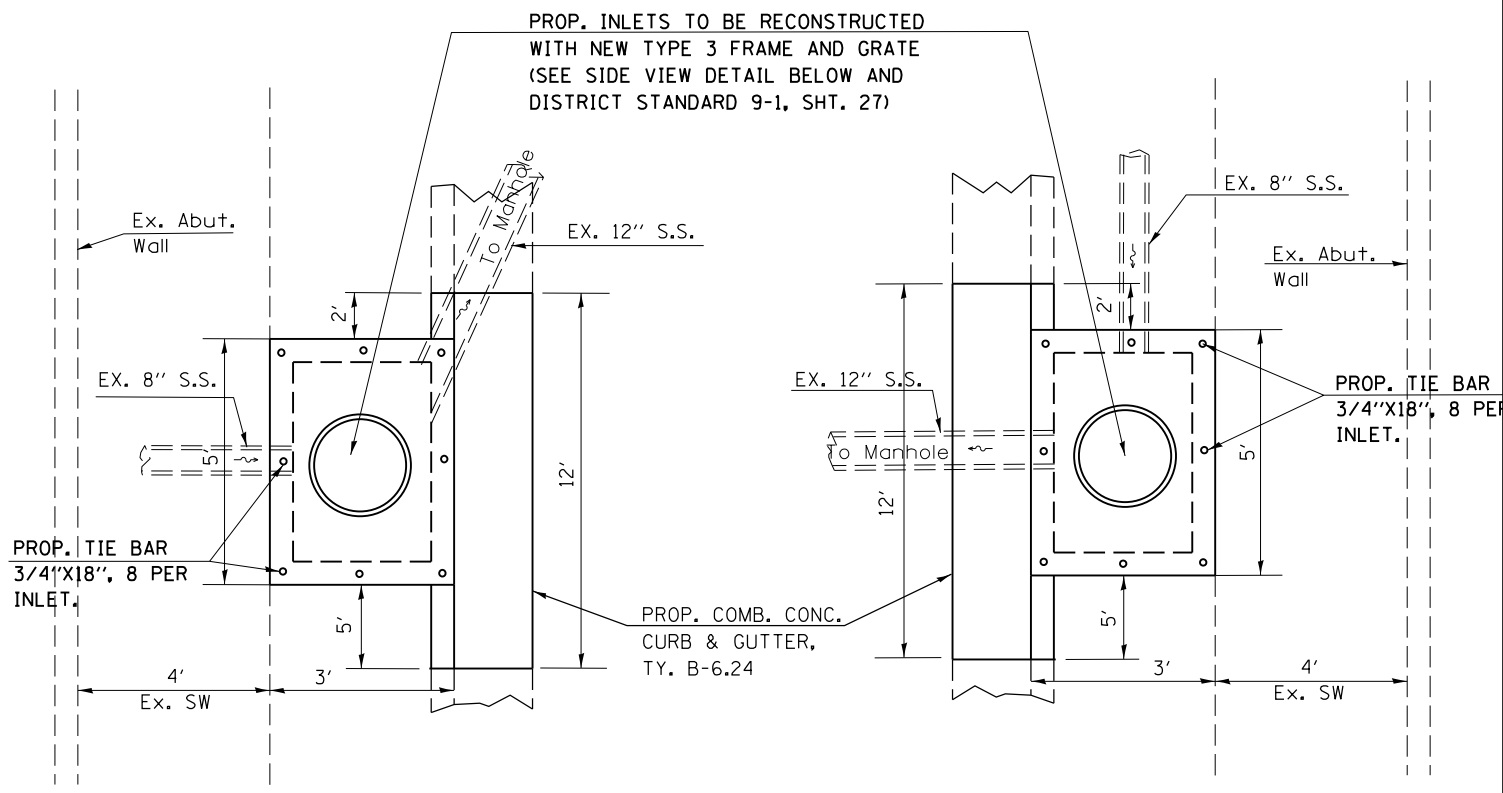
PLAN VIEW OF RECONSTRUCTED INLETS LOCATION



EXIST. COMB. CONC. CURB & GUTTER TO BE REMOVED & REPLACED - 65 FT. (SEE SPECIAL PROVISIONS)

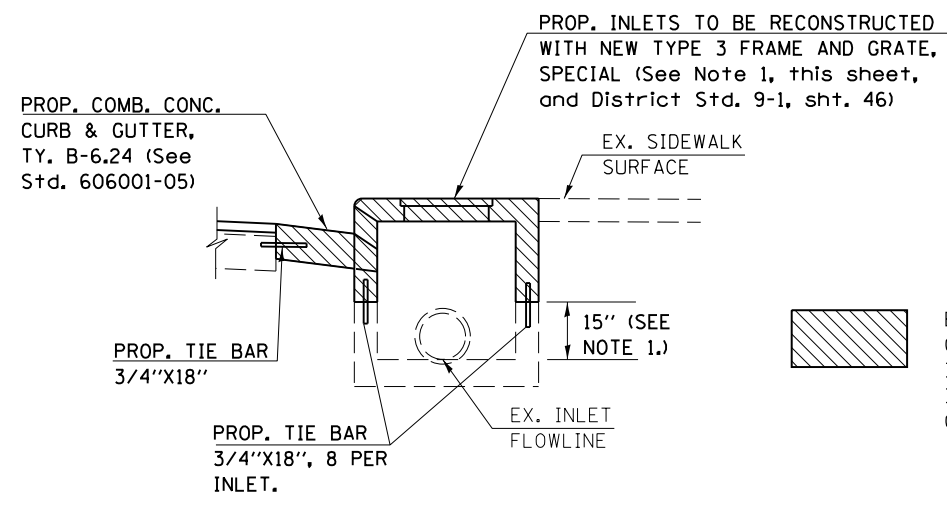
EXIST. COMB. CONC. CURB & GUTTER TO BE REMOVED & REPLACED - 85 FT. (SEE SPECIAL PROVISIONS)

NOTE 1. THE FIELD ENGINEER WILL DETERMINE PRIOR TO START-UP OF CONSTRUCTION IF PART OR ALL OF THE EXISTING INLETS ARE TO BE REMOVED. ADDITIONAL WORK AND MATERIALS REQUIRED TO REMOVE AND REPLACE BEYOND THE LIMITS SHOWN WILL BE PAID FOR PER ARTICLE 109.04.



PROP. RECONSTRUCTED
INLET DETAIL
LT. STA. 1108+00

PROP. RECONSTRUCTED
INLET DETAIL
RT. STA. 1108+24



PROP. RECONSTRUCTED INLET
SIDE VIEW DETAIL

LEGEND

EX. INLET AND COMB. CONC. CURB & GUTTER TO BE REMOVED. (INCLUDED IN COST OF PROP. RECONSTRUCTED INLETS WITH NEW TYPE 3 FRAME & GRATE)

FILE NAME =	USER NAME = mccordkr	DESIGNED -	REVISED -
et:\pw\work\p1dot\mccordkr\10381606\78404-sh1-plan.dgn		DRAWN -	REVISED -
		CHECKED -	REVISED -
		DATE -	REVISED -

**STATE OF ILLINOIS
DEPARTMENT OF TRANSPORTATION**

INLETS TO BE RECONSTRUCTED DETAIL			
SCALE:	SHEET NO.	OF SHEETS	STA. TO STA.

F.A. RTE.	SECTION	COUNTY	TOTAL SHEETS	SHEET NO.
	41RS-7	MASSAC	29	26
CONTRACT NO. 78404				
ILLINOIS FED. AID PROJECT				