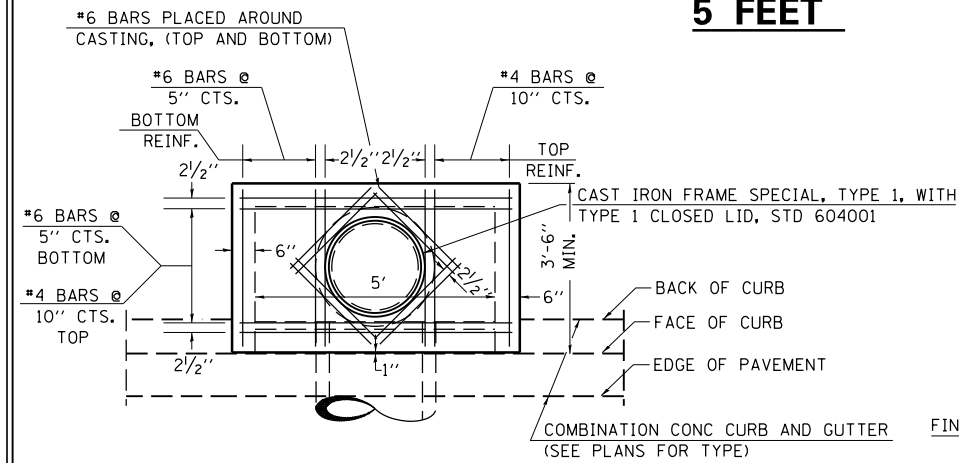
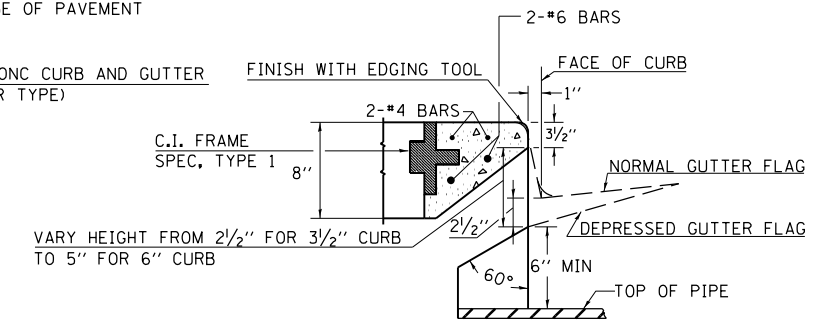


DETAILS OF INLET SPECIAL, TYPE 3, 5 FEET

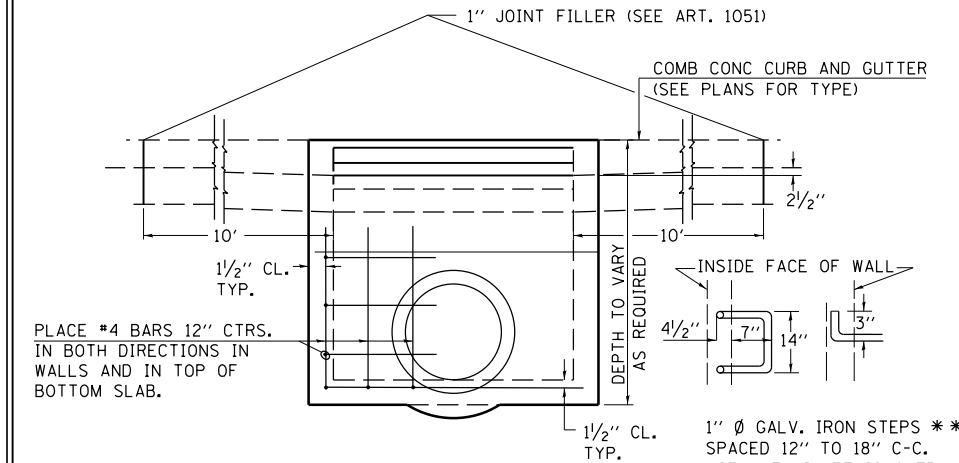
ONLY FOR REFERENCE WHEN
BUILDING INLETS TO BE
RECONSTRUCTED WITH
NEW TYPE 3 GRATE &
FRAME.



PLAN



SECTION AT WEIR



ELEVATION

DESIGN	PIPE DIA	"D"
A	18" & LESS	2'-6"
B	21" & 24"	3'-0"
C	27" & 30"	3'-7"
D	33" & 36"	4'-2"
E	42"	4'-9"
F	48"	5'-0"
G	54"	6'-1"

NOTES:

PROVIDE 1/2" CLEARANCE TYP. ALL REINFORCEMENT UNLESS OTHERWISE SPECIFIED.

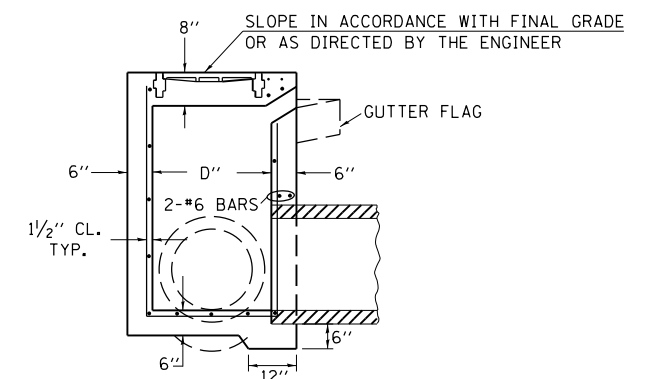
CLASS SI CONCRETE SHALL BE USED THROUGHOUT. SET FACE OF INLET 1" BEHIND FACE OF CURB. DEPRESS GUTTER FLOWLINE AT INLET 2 1/2" BELOW NORMAL GUTTER FLOWLINE. CONSTRUCT TRANSITION IN FLOWLINE IN 10 FEET EACH SIDE OF INLET. PIPES TO BE CONNECTED TO INLET AS SHOWN ON STORM SEWER LAYOUT.

INLETS WILL BE PAID FOR AT THE CONTRACT UNIT PRICE EACH FOR **INLET TO BE RECONSTRUCTED**. WHICH PRICE SHALL INCLUDE THE CAST IRON FRAME, SPECIAL, TYPE 1 WITH TYPE 1 CLOSED LID, THE REINFORCEMENT BARS, METAL STEPS AND JOINT FILLER.

** THE GALVANIZED IRON STEPS AS DETAILED HEREON ARE TYPICAL. STEPS OF OTHER DESIGN AND MATERIAL THAT WILL CONFORM TO THE MINIMUM REQUIREMENTS OF THE STEPS SHOWN. MAY BE USED WHEN APPROVED BY THE ENGINEER.

IF THE INLET IS NOT CAST IN PLACE THEN THE INLET SHALL BE PRODUCED ACCORDING TO THE DEPARTMENT'S CURRENT POLICY MEMORANDUM, "QUALITY CONTROL/QUALITY ASSURANCE PROGRAM FOR PRECAST CONCRETE PRODUCTS".

1" Ø GALV. IRON STEPS **
SPACED 12" TO 18" C-C.
USE WHEN INLET IS OVER
4' DEEP.



SECTION

NOTE TO DESIGNER:

WHEN USING THIS STANDARD THE DESIGNER SHOULD ALSO CHECK BDE SPECIAL PROVISION 419 "PRECAST CONCRETE PRODUCTS".

REVISIONS			
REDRAWN	2-15-89	REVISED	3-26-08
REVISED	8-15-94	REVISED	
REVISED	1-19-99	REVISED	
STD.	9-1	REVISED	5-6-04
		REVISED	

• FAU 9760 (US 45)

FILE NAME =	USER NAME = mccordkr	DESIGNED -	REVISED -
c:\pwork\work\pwork\mccordkr\d0381606\78404-sh1-plan.dgn		DRAWN -	REVISED -
		CHECKED -	REVISED -
		DATE -	REVISED -

**STATE OF ILLINOIS
DEPARTMENT OF TRANSPORTATION**

**DETAIL - INLET SPECIAL, TYPE 3, 5 FEET
(FOR INFORMATION ONLY)**

SCALE: SHEET NO. OF SHEETS STA. TO STA.

F.A. RTE.	SECTION	COUNTY	TOTAL SHEETS	SHEET NO.
	41RS-7	MASSAC	29	27
CONTRACT NO. 78404				
ILLINOIS FED. AID PROJECT				