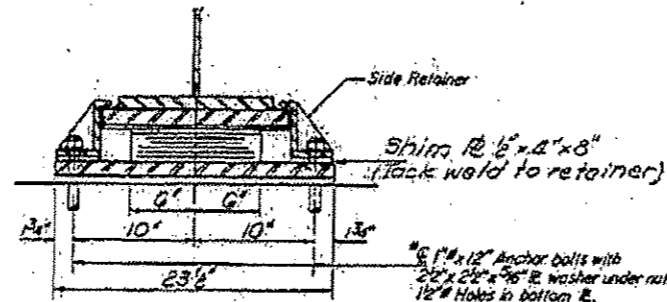
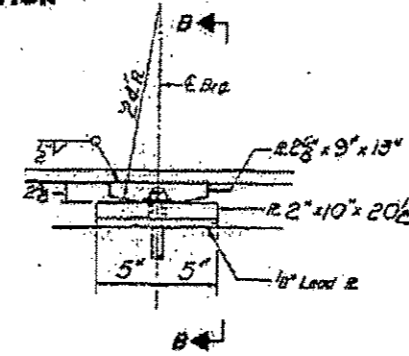


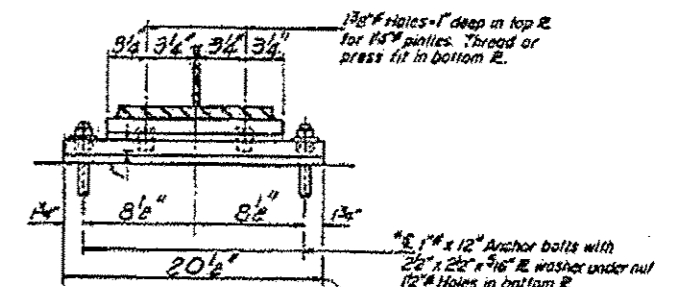
SECTION AT ABUT SOUTH



SECTION A-A

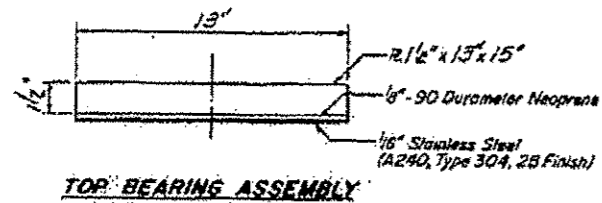


ELEVATION AT PIER #1

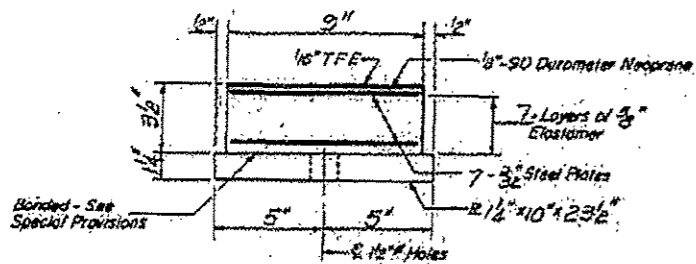


SECTION B-B

**TYPE II TFE ELASTOMERIC EXP. BRG.**  
(South Abutment)

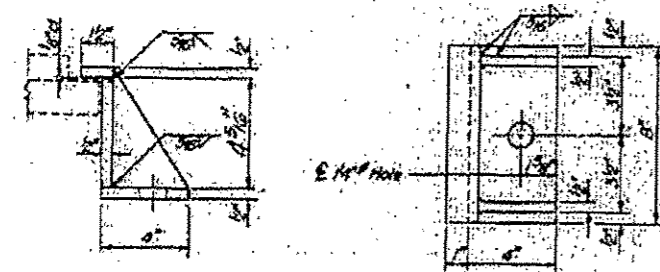


TOP BEARING ASSEMBLY



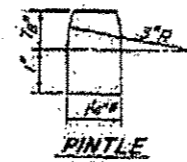
BOTTOM BEARING ASSEMBLY

These Elastomeric Bearings contain features for which patents have been granted or applied for. Free license for projects governed by these standards may be obtained by applying to Fel-Pro Incorporated, Skokie, Illinois.

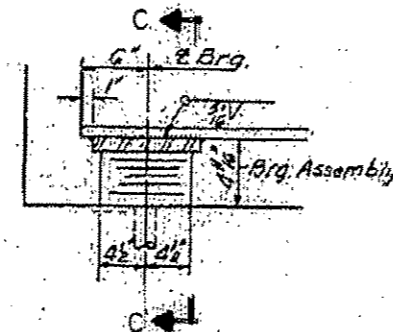


SIDE RETAINER

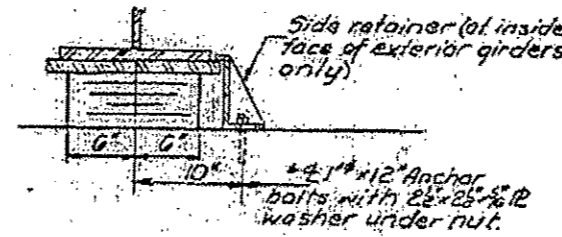
Note: After beams have been erected holes of expansion bearings shall be drilled and anchor bolts grouted in place. Anchor bolts or fixed bearings may be built into the masonry.



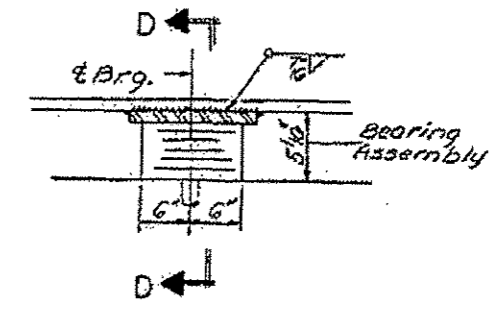
PINTLE



SECTION AT ABUT. NORTH

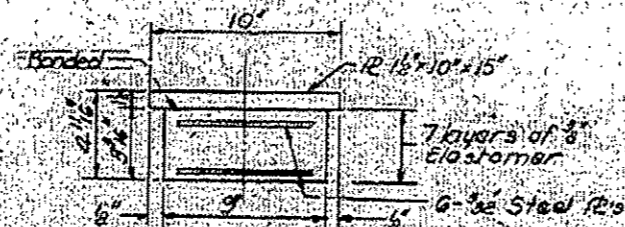


SECTION C-C

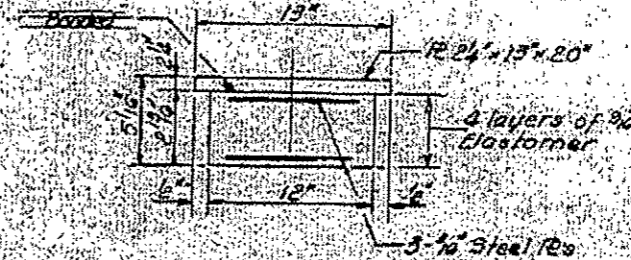


SECTION AT PIER #2

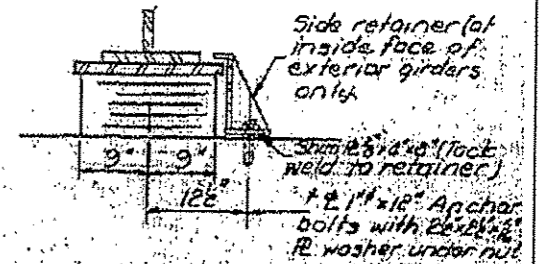
**TYPE I ELASTOMERIC EXP. BRG.**  
(North Abut)



BEARING ASSEMBLY  
At North Abut



BEARING ASSEMBLY  
of Pier #2



SECTION D-D

DESIGNED: <i>[Signature]</i>	SCALE: 1/2" = 1'-0"
DRAWN: <i>[Signature]</i>	DATE: 3/21/2014
CHECKED: <i>[Signature]</i>	
APPROVED: <i>[Signature]</i>	

Note: Steel Brg. Plates and retainers shall be fabricated from AASHTO M-222 steel.

BEARING DETAILS  
E A RT 782 SEC II 3-B-1  
GALLATIN COUNTY

FOR INFORMATION ONLY STA 43+85.50

FILE NAME: c:\pwork\p1\dot\dahmer\j\0302426178	USER NAME: Dahmer_j	DESIGNED: -	REVISED: -
Plot Scale: 2.72917 in.	Plot Date: 3/21/2014	DRAWN: -	REVISED: -
		CHECKED: -	REVISED: -
		DATE: -	REVISED: -