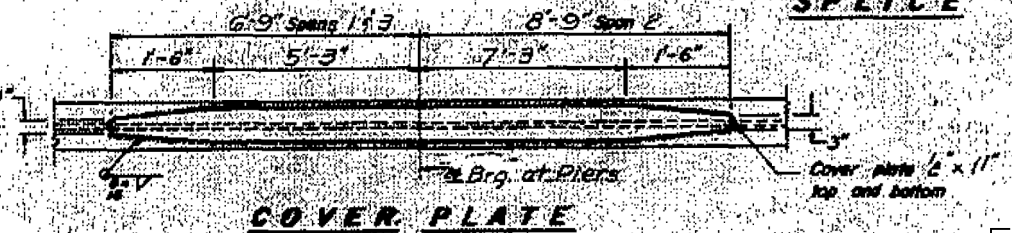
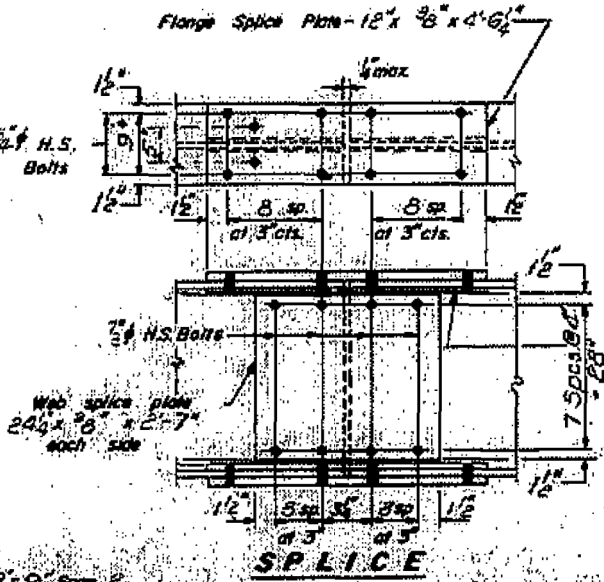
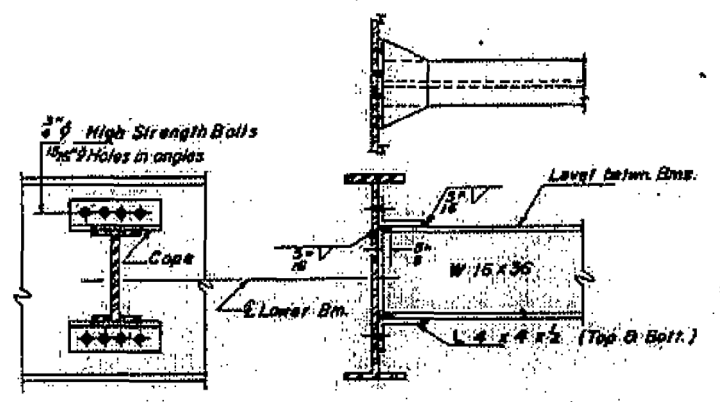
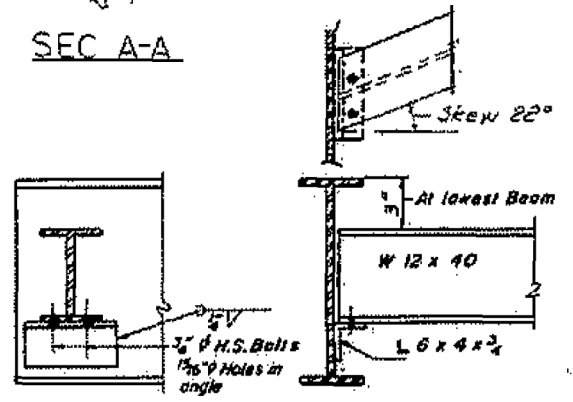


TOP OF BEAM ELEVATIONS
(For fabrication only)

	Beam #1	Beam #2	Beam #3	Beam #4	Beam #5
Brig. N. Abut.	374.05	374.14	374.22	374.07	373.92
Pier #1	374.87	374.96	375.03	374.89	374.74
Splice #1	375.11	375.19	375.27	375.15	374.97
Splice #2	375.69	375.77	375.85	375.70	375.55
Pier #2	375.92	376.01	376.08	375.94	375.79
Brig. S. Abut.	376.74	376.83	376.90	376.76	376.60



Note: The design Moment and Reaction Tables are on sheet # 2

DESIGNED: [Signature]
CHECKED: [Signature]
DRAWN: F.M.
APPROVED: [Signature]
Director of Highways

STRUCTURAL STEEL
PART 782 SEC. 113-1B-1
GALLATIN COUNTY

FOR INFORMATION ONLY STA 331+85.50