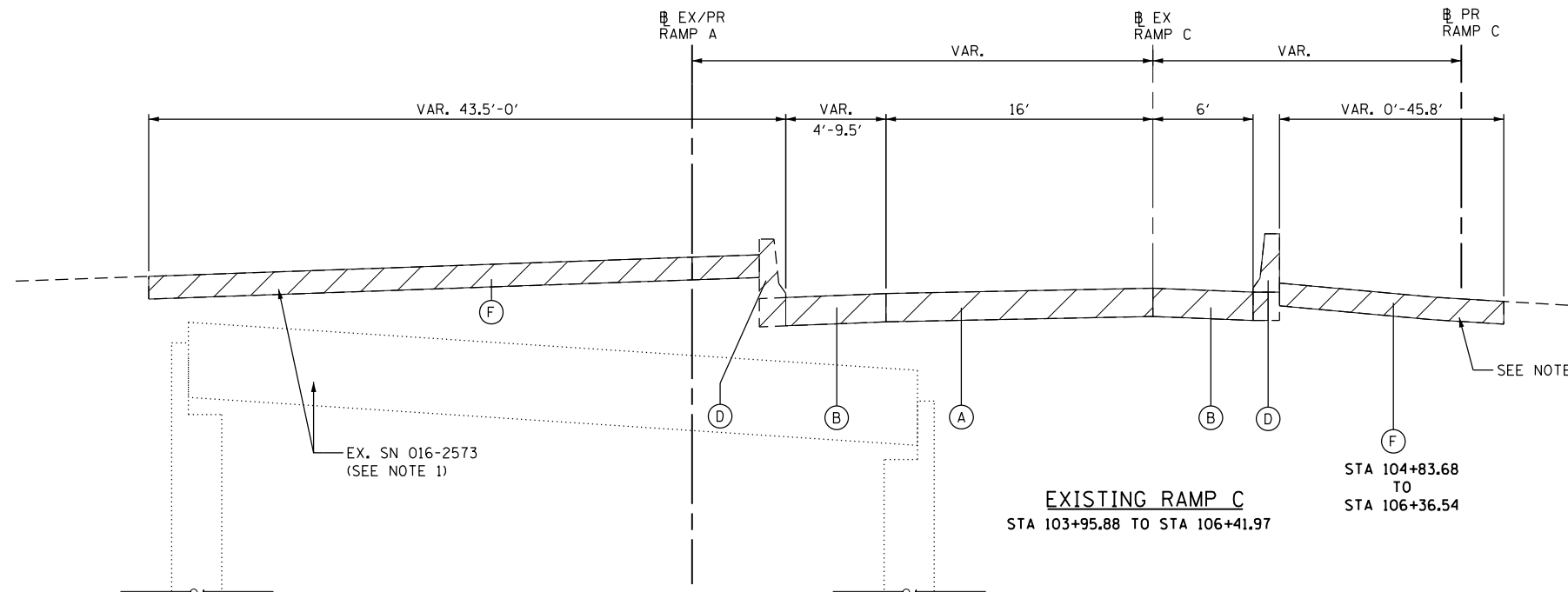


EXISTING RAMP C
STA 103+00 TO STA 103+95.88

- EXISTING LEGEND:**
- (A) PCC PAVEMENT, 10" & VAR.
 - (B) PCC SHOULDER, 10" & VAR.
 - (C) NOT USED
 - (D) CONCRETE BARRIER AND BASE
 - (E) RETAINING WALL (CAST IN PLACE)
 - (F) PROTECTIVE PCC SLAB, 5"
 - (G) TOPSOIL, 6"
 - (H) KNEE WALL AND FENCE
 - (I) CURB AND GUTTER
 - (J) CRC PAVEMENT, 12" & VAR.
 - (K) PCC SHOULDER, 12" & VAR.
 - (L) HMA SHOULDER, 8" & VAR.
 - (M) REMOVAL AND DISPOSAL OF UNSUITABLE MATERIAL



EXISTING RAMP C
STA 103+95.88 TO STA 106+41.97

STA 104+83.68
TO
STA 106+36.54

SEE NOTE 1

NOTES:

1. SEE STRUCTURE SN 016-2573 PLANS FOR DETAILS
2. EXISTING TOPSOIL SHALL BE STRIPPED FROM WITHIN PROPOSED CONSTRUCTION LIMITS. THE QUANTITY WAS BASED ON AN ASSUMED DEPTH OF 6".

FILE NAME = \\collinsengr.com\1\adate\1\Posarden\DDCS\Y2000 - I34.ct.Ohio.Street\CADD\CADD_SHEETS\0160F63-ht-tpz.dgn



USER NAME = rge11	DESIGNED -	REVISED -
PLOT SCALE = 10.0000' / 1"	DRAWN -	REVISED -
PLOT DATE = 3/25/2013	CHECKED -	REVISED -
	DATE -	REVISED -

STATE OF ILLINOIS
DEPARTMENT OF TRANSPORTATION

RAMP C
EXISTING TYPICAL SECTIONS

F.A.I. RTE.	SECTION	COUNTY	TOTAL SHEETS	SHEET NO.
90/94	0303-474HB-R	COOK	368	23
CONTRACT NO. 60F63				
FED. ROAD DIST. NO. 1 ILLINOIS FED. AID PROJECT				