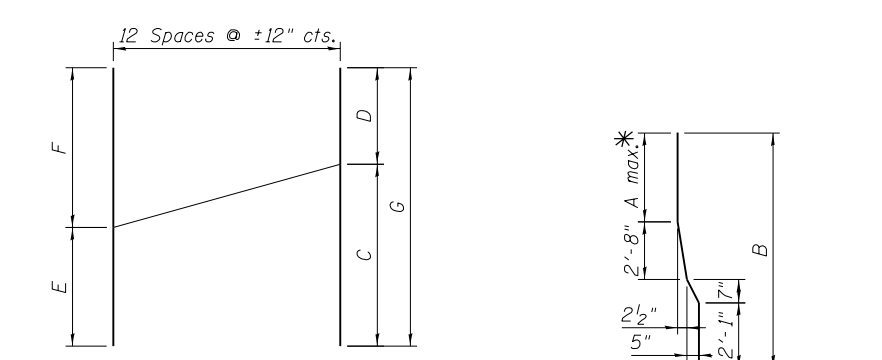


- Notes:**
1. Wall dimensions are measured along F.F. of wall. See sheet SW1 for location.
  2. Stations and offsets for the wall are given from the Ramp C to the F.F. of wall.
  3. Fan Horizontal bars (h Bars) at 12" cts. max.

REINFORCEMENT BAR LIST				
Bar	No.	Size	Length	Shape
h <sub>300</sub> (E)	70	#6	24'-8"	—
v <sub>306</sub> (E)	26	#6	9'-10"	—
v <sub>307</sub> (E)	13	#6	18'-2"	—
v <sub>308</sub> (E)	26	#6	10'-3"	—
v <sub>309</sub> (E)	13	#6	19'-9"	—
v <sub>310</sub> (E)	26	#6	10'-8"	—
v <sub>311</sub> (E)	13	#6	20'-7"	—



**BARS v<sub>307</sub>(E), v<sub>309</sub>(E), v<sub>311</sub>(E)**

Bar	C	D	E	F	G
v <sub>307</sub> (E)	9'-8"	8'-6"	9'-2"	9'-0"	18'-2"
v <sub>309</sub> (E)	10'-1"	9'-8"	9'-11"	9'-10"	19'-9"
v <sub>311</sub> (E)	10'-6"	10'-1"	10'-4"	10'-3"	20'-7"

**BARS v<sub>306</sub>(E), v<sub>308</sub>(E), v<sub>310</sub>(E)**

Bar	A	B
v <sub>306</sub> (E)	4'-4"	9'-8"
v <sub>308</sub> (E)	4'-9"	10'-1"
v <sub>310</sub> (E)	5'-2"	10'-6"

**BAR CUTTING DIAGRAM**  
\* Order Bars Full Length, Cut to Fit

\* Cut in Field to Fit

**ELEVATION**  
(Looking at F.F. of Wall)  
(Sta. 120+75.00 to Sta. 121+50.00)

**PLAN**  
(Sta. 120+75.00 to Sta. 121+50.00)

**BILL OF MATERIAL**

DESCRIPTION	UNIT	QUANTITY
Structure Excavation	Cu. Yd.	107.5
Concrete Structures	Cu. Yd.	32.2
Stud Shear Connectors	Each	284
Reinforcement Bars, Epoxy Coated	Pound	4,937
Concrete Sealer	Sq. Ft.	689
Geocomposite Wall Drain	Sq. Yd.	27
Untreated Timber Lagging	Sq. Ft.	630
Furnishing Soldier Piles (W Section)	Foot	936
Pipe Underdrains for Structures 4"	Foot	75
Drilling and Setting Soldier Piles (In Soil)	Cu. Ft.	6,604

**LEGEND**

- E.F. = Each face
- F.F. = Front Face
- B.F. = Back Face
- C.I.P. = Cast-In-Place
- (C) = Construction Joint
- (E) = Expansion Joint
- (4) = Panel Numbers
- (22) = Pile Numbers

**NOTE:**

For Top of Pile Elevations & Pile Tip Elevations, see Soldier Pile Schedule, Sht. SW9.



USER NAME =	DESIGNED - GFP	REVISED -
PLOT SCALE =	CHECKED - GMK	REVISED -
PLOT DATE	DRAWN - GFP	REVISED -
	DATE - 3/5/2013	REVISED -

**STATE OF ILLINOIS**  
**DEPARTMENT OF TRANSPORTATION**

**PLAN AND ELEVATION (STA. 120 + 75.00 TO STA. 121 + 50.00)**  
**STRUCTURE NO. 016-2014**

SHEET NO. SW5 OF SW11 SHEETS

F.A.I. R.T.E. 90/94	SECTION 0303-474HB-R	COUNTY COOK	TOTAL SHEETS 368	SHEET NO. 317
CONTRACT NO. 60F63			ILLINOIS FED. AID PROJECT	