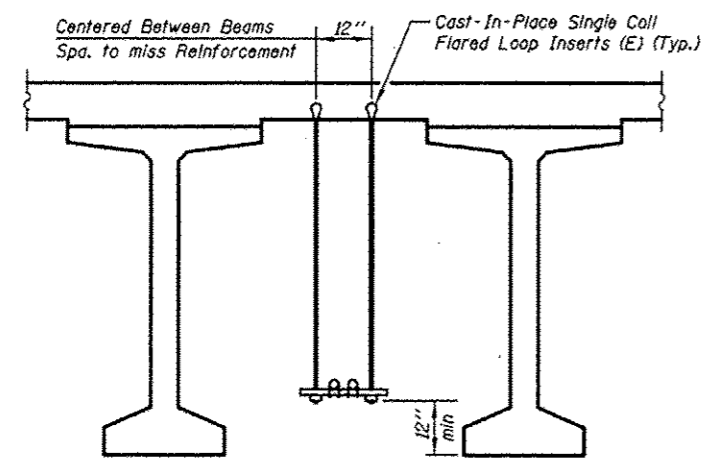
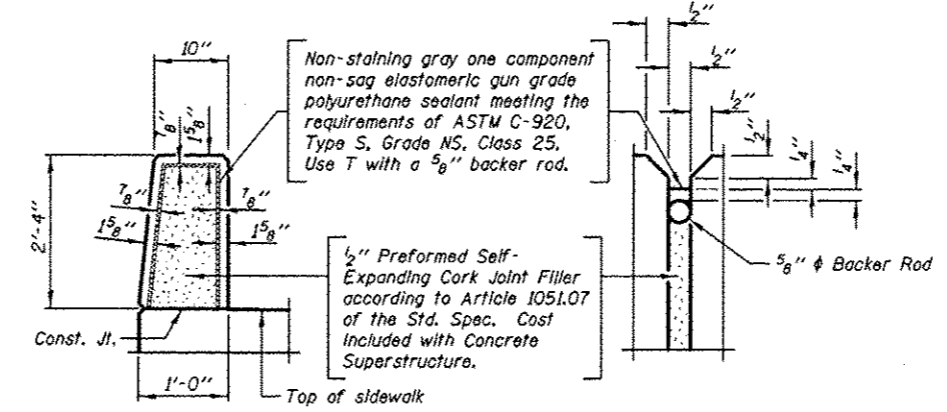


**NOTE A**  
 Coordinate single coil flared loop inserts with Electrical Contractor. Cost shall be included with Concrete Superstructure.

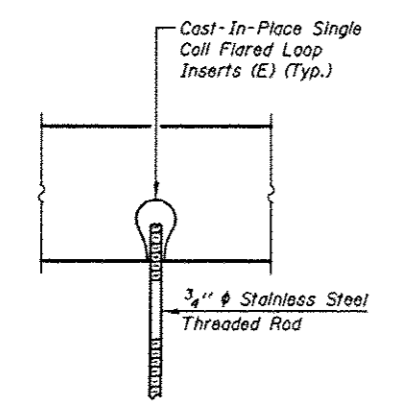
**CONDUIT SUPPORT PLAN**  
 (NB Bridge)



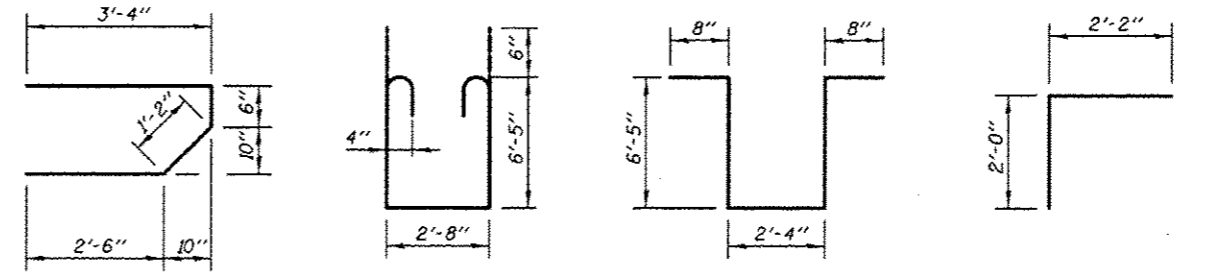
**CONDUIT SUPPORT DETAIL**



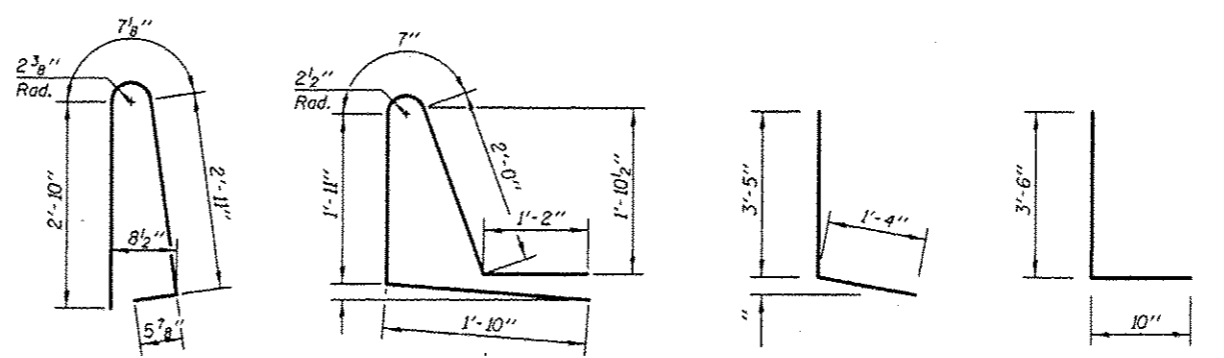
**PARAPET JOINT DETAILS**



**THREADED COIL LOOP INSERTS DETAIL**

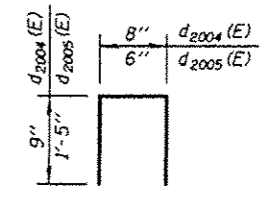


**BAR s2000(E) BAR s2001(E) BAR s2002(E) BAR v2000(E)**



**BAR d2000(E) BAR d2001(E) BAR d2002(E) BAR d2003(E)**

BILL OF MATERIAL				
BAR	NO.	SIZE	LENGTH	SHAPE
a2000(E)	435	#5	34'-0"	—
a2001(E)	435	#5	28'-0"	—
a2002(E)	610	#5	31'-3"	—
a2003(E)	433	#6	6'-6"	—
a2004(E)	24	#5	1'-6"	—
b2000(E)	434	#6	39'-6"	—
b2001(E)	354	#8	27'-3"	—
b2002(E)	496	#6	35'-0"	—
b2003(E)	108	#6	25'-3"	—
b2004(E)	153	#5	31'-0"	—
c2000(E)	254	#5	11'-8"	—
d2000(E)	276	#5	6'-10"	—
d2001(E)	276	#5	7'-6"	—
d2002(E)	254	#5	5'-3"	—
d2003(E)	508	#5	4'-4"	—
d2004(E)	64	#4	2'-2"	—
d2005(E)	64	#4	3'-4"	—
e2000(E)	156	#4	15'-8"	—
e2001(E)	28	#4	14'-8"	—
e2002(E)	26	#4	15'-2"	—
e2003(E)	8	#8	32'-0"	—
e2004(E)	2	#8	14'-8"	—
e2005(E)	8	#4	29'-9"	—
m2000(E)	24	#6	31'-9"	—
m2001(E)	54	#6	10'-3"	—
m2002(E)	32	#6	4'-1"	—
m2003(E)	4	#6	2'-7"	—
m2004(E)	64	#4	5'-9"	—
m2005(E)	9	#8	6'-2"	—
s2000(E)	124	#5	7'-6"	—
s2001(E)	76	#4	16'-6"	—
s2002(E)	32	#4	16'-6"	—
v2000(E)	120	#5	4'-2"	—
Reinforcement Bars, Epoxy Coated		LB	158400	
Concrete Superstructure		Cu. Yd.	686.0	
Bridge Deck Grooving		Sq. Yd.	1237.0	
Protective Coat		Sq. Yd.	1919.0	



**BARS d2004(E) & d2005(E)**