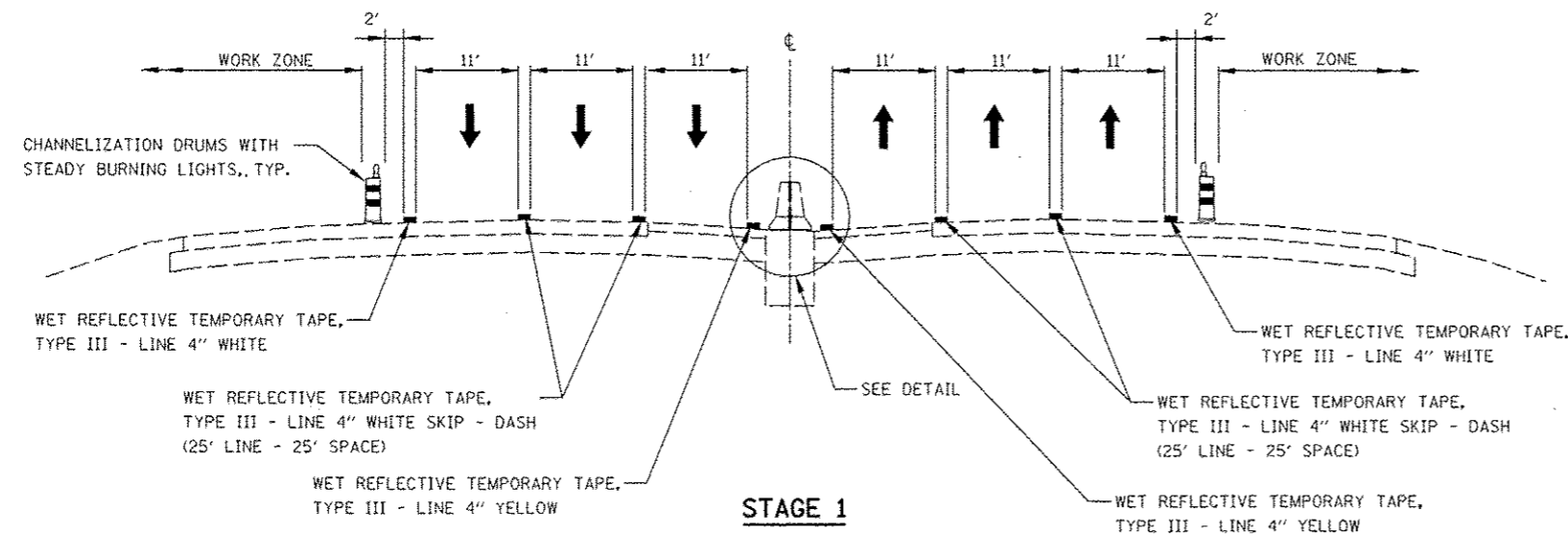


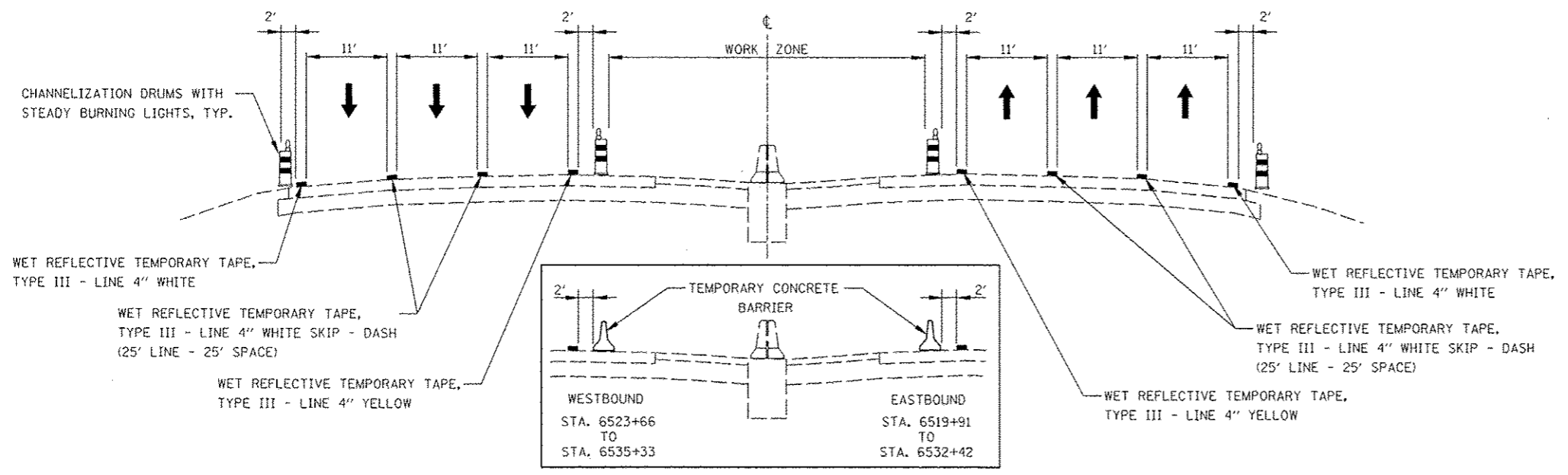
DETAIL

NOTE

1. TEMPORARY MODULAR GLARE SCREEN SYSTEM SHALL BE INSTALLED AT LOCATIONS AS SHOWN ON THE MOT PLANS.



STAGE 1



STAGES 1A AND 1B

FILE NAME = 15-1121*	USER NAME = KUSERS	DESIGNED PJO	REVISIONS	STATE OF ILLINOIS DEPARTMENT OF TRANSPORTATION	MAINTENANCE OF TRAFFIC TYPICAL SECTIONS INTERSTATE 88			F.A.P. RTE. = 338	SECTION = (112 & 113) WRS-5	COUNTY =	TOTAL SHEETS = 963	SHEET NO. = 109
	PLLOT SCALE = 1/4"=10'	DRAWN KES	REVISIONS					SCALE: SHEET NO. 11 OF 17 SHEETS STA. TO STA.			CONTRACT NO. 60131	
	PLLOT DATE = 10/15/2012	CHECKED JCM	REVISIONS									
		DATE 10/15/2012	REVISIONS									