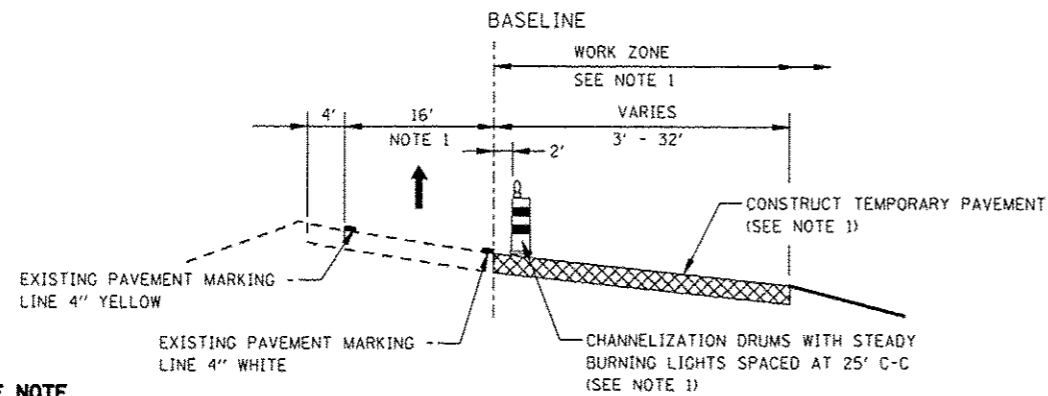


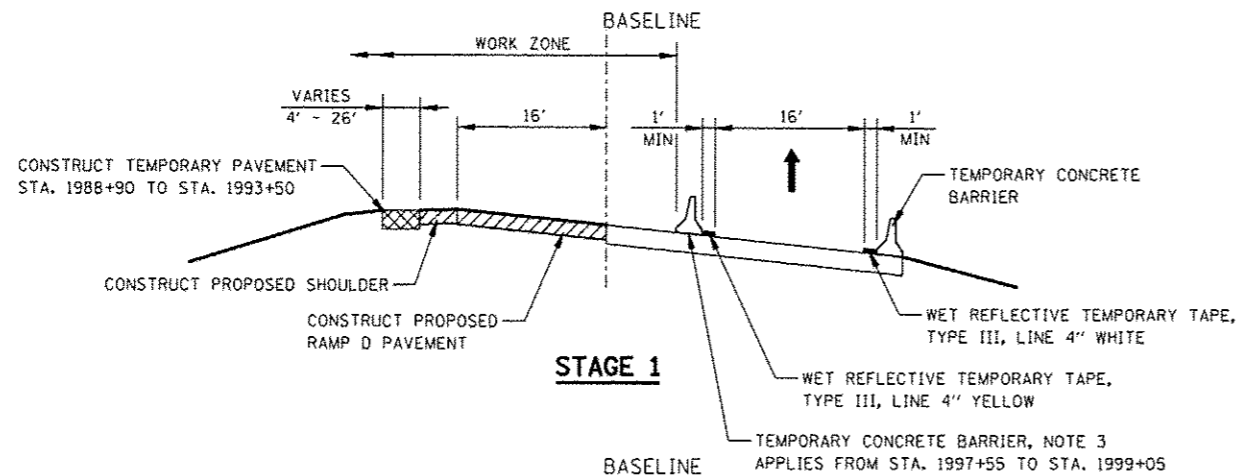
EXISTING CONDITIONS



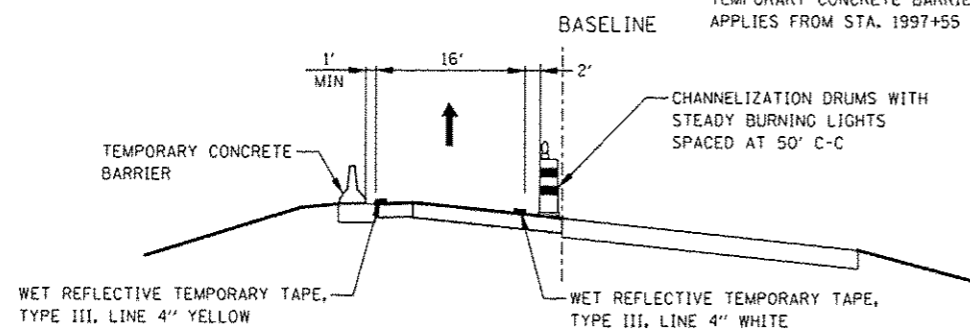
PRESTAGE NOTE

1. THE TRAFFIC LANE IS TO BE SHIFTED LEFT ONTO THE EXISTING LEFT SHOULDER IN ACCORDANCE WITH IDOT STANDARD 701456 DURING TEMPORARY PAVEMENT CONSTRUCTION ADJACENT TO EXISTING PAVEMENT. CHANNELIZATION DRUMS SHALL BE RELOCATED TO DELINEATE THE EDGE OF THE TRAFFIC LANE REMAINING OPEN TO TRAFFIC. THIS WORK WILL NOT BE ALLOWED BETWEEN THE HOURS OF 5:00 AM AND 10:00 AM.

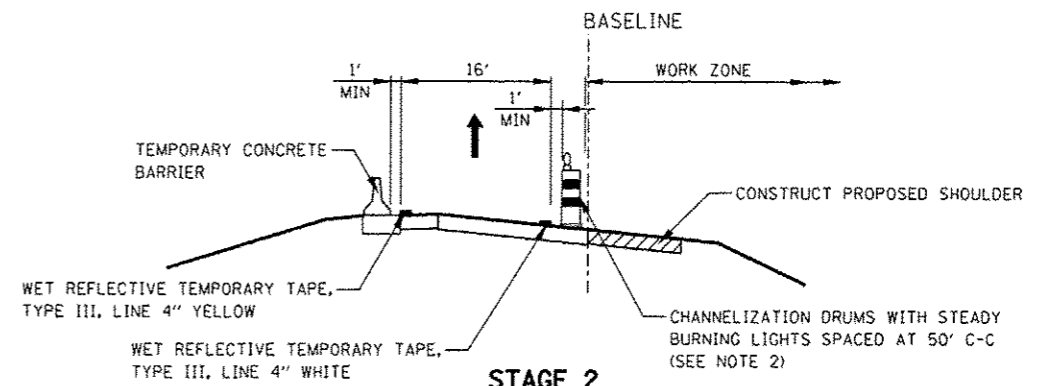
PRESTAGE



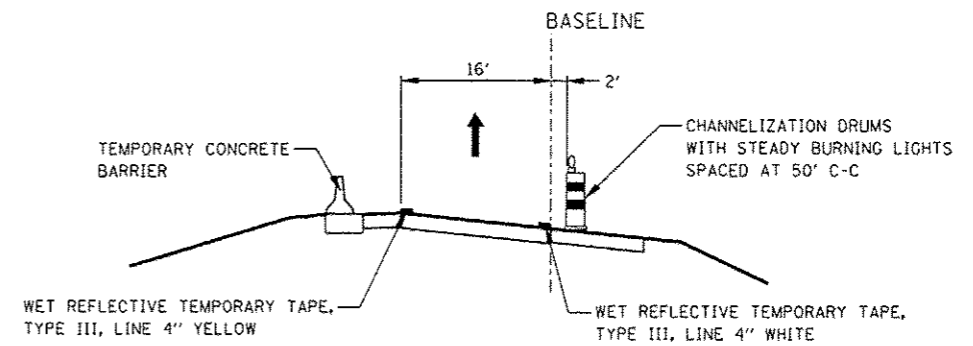
STAGE 1



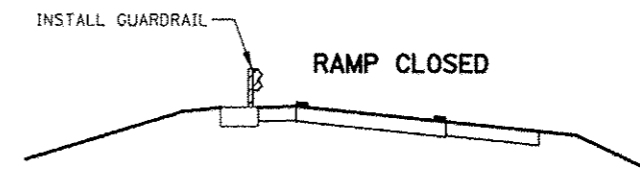
STAGE 1A & 1B



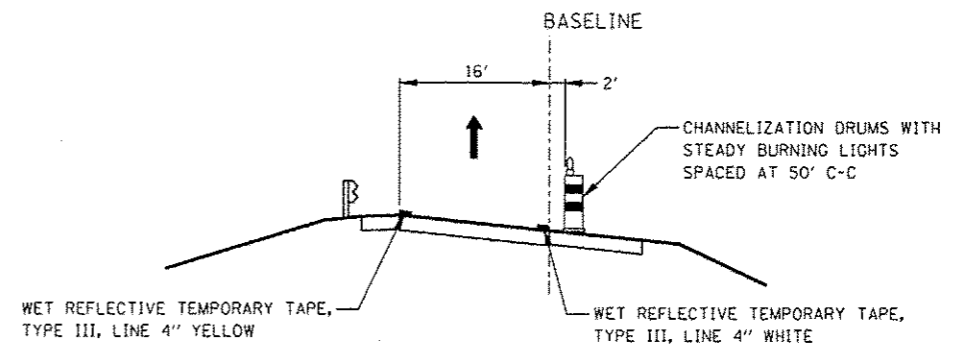
STAGE 2



STAGE 3, 3A, & 3B



STAGE 3C



STAGE 4, 4A & 4B

NOTES

- PAVEMENT DROP-OFF SHALL NOT EXCEED 24 INCHES BEHIND TYPE II BARRICADES OR CHANNELIZATION DRUMS. TEMPORARY GRADING, IF REQUIRED TO REDUCE DROP-OFF HEIGHT, DURING CONSTRUCTION SHALL BE CONSIDERED INCLUDED IN THE COST FOR TRAFFIC CONTROL AND PROTECTION, (SPECIAL).
- TEMPORARY CONCRETE BARRIER SHALL BE CONTINUOUSLY PINNED TO THE PAVEMENT. SEE MAINTENANCE OF TRAFFIC GENERAL NOTES.

FILE NAME = #FILE#	USER NAME = #USER#	DESIGNED PJO	REVISED -ADDENDUM A 01/08/2013
		DRAWN KES	REVISED -
		CHECKED JCM	REVISED -
		DATE 10/15/2012	REVISED -

**STATE OF ILLINOIS
DEPARTMENT OF TRANSPORTATION**

MAINTENANCE OF TRAFFIC TYPICAL SECTIONS RAMP D		F.A.P. RTE.	SECTION	COUNTY	TOTAL SHEETS	SHEET NO.
SCALE:		338	(112 & 113) WRS-5	DUPAGE	963	115
SHEET NO. 17 OF 17 SHEETS		CONTRACT NO. 60131		ILLINOIS FED. AID PROJECT		