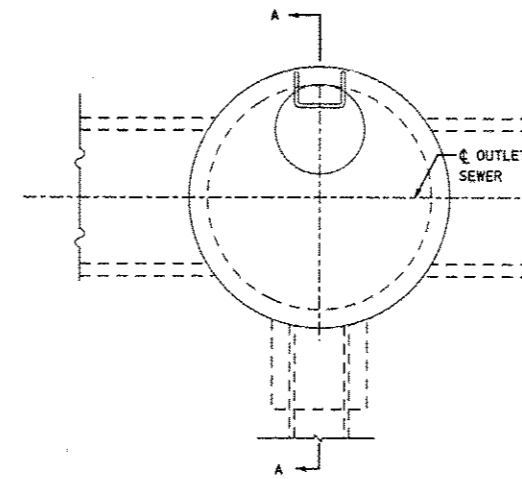
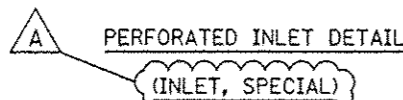
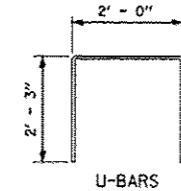


WALLS TO MEET  
**ASTM C-478**

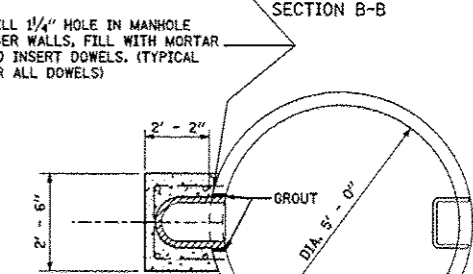
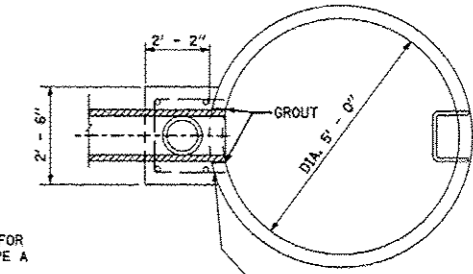
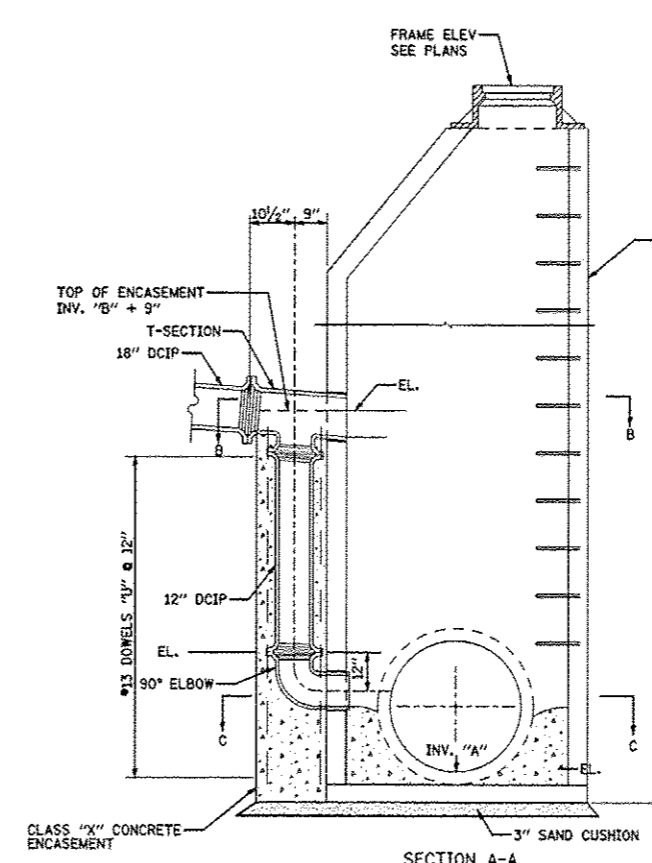
THE MINIMUM STRENGTH OF THE CONCRETE IN THE BASE AND RISER SECTIONS SHALL BE 4000 P.S.I. AFTER 28 DAYS. THE MINIMUM WALL THICKNESS SHALL BE ONE-TWELFTH OF THE INTERNAL DIAMETER OF THE RISER. THE CIRCUMFERENTIAL REINFORCEMENT IN BASE SECTIONS AND RISERS MAY CONSIST OF EITHER ONE OR TWO LINES OF STEEL. THE TOTAL AREA OF STEEL PER VERTICAL FOOT SHALL NOT BE LESS THAN .0025 TIMES THE INSIDE DIAMETER IN INCHES. BASE SLABS OR FLOORS SHALL BE REINFORCED WITH A LAYER OF STEEL WITH A MINIMUM AREA OF 0.12 IN. SQUARED/LINEAR FOOT IN BOTH DIRECTIONS.



PLAN FOR LOCATION SEE DRAINAGE PLANS



ENCASEMENT DETAILS		
DROP M.H. LOCATION STA., OFFSET	816+74.63 45.24 RT	
INV. "A"	698.96 24"	
INLET PIPE		
INV. "B"	706.00 18"	
INV. "C"		
A		
B		
"U" BAR LENGTH		
NO. OF "U" BARS	7	
REINF. BARS		
CLASS "X" CONC. CUBIC YARD (CU. YD.)	1	



TYPE A1-1 MANHOLE WITH 1 DROP AND DEPTH UP TO 10'  
 TYPE A1-2 MANHOLE WITH 1 DROP AND DEPTH FROM 10' TO 15'  
 TYPE A1-3 MANHOLE WITH 1 DROP AND DEPTH FROM 15' TO 20'  
 TYPE A1-4 MANHOLE WITH 1 DROP AND DEPTH OVER 20'

TYPE A2-1 MANHOLE WITH 2 DROPS AND DEPTH UP TO 10'  
 TYPE A2-2 MANHOLE WITH 2 DROPS AND DEPTH FROM 10' TO 15'  
 TYPE A2-3 MANHOLE WITH 2 DROPS AND DEPTH FROM 15' TO 20'  
 TYPE A2-4 MANHOLE WITH 2 DROPS AND DEPTH OVER 20'

**DROP MANHOLE DETAILS**

FILE NAME	USER NAME	DESIGNED	REVISED
#FILE#	#USER#	PJO	ADDENDUM A 12/17/2012
		DRAWN	REVISED
		KES	
		CHECKED	REVISED
		JCM	
		DATE	REVISED
		10/15/2012	

**STATE OF ILLINOIS  
DEPARTMENT OF TRANSPORTATION**

**DRAINAGE DETAILS**

SCALE: AS SHOWN SHEET NO. 3 OF 3 SHEETS STA. TO STA.

F.A.P. RTE.	SECTION	COUNTY	TOTAL SHEETS	SHEET NO.
338	(112 & 113) WRS-5	DUPAGE	963	363
DD-03			CONTRACT NO. 60131	
ILLINOIS FED. AID PROJECT				